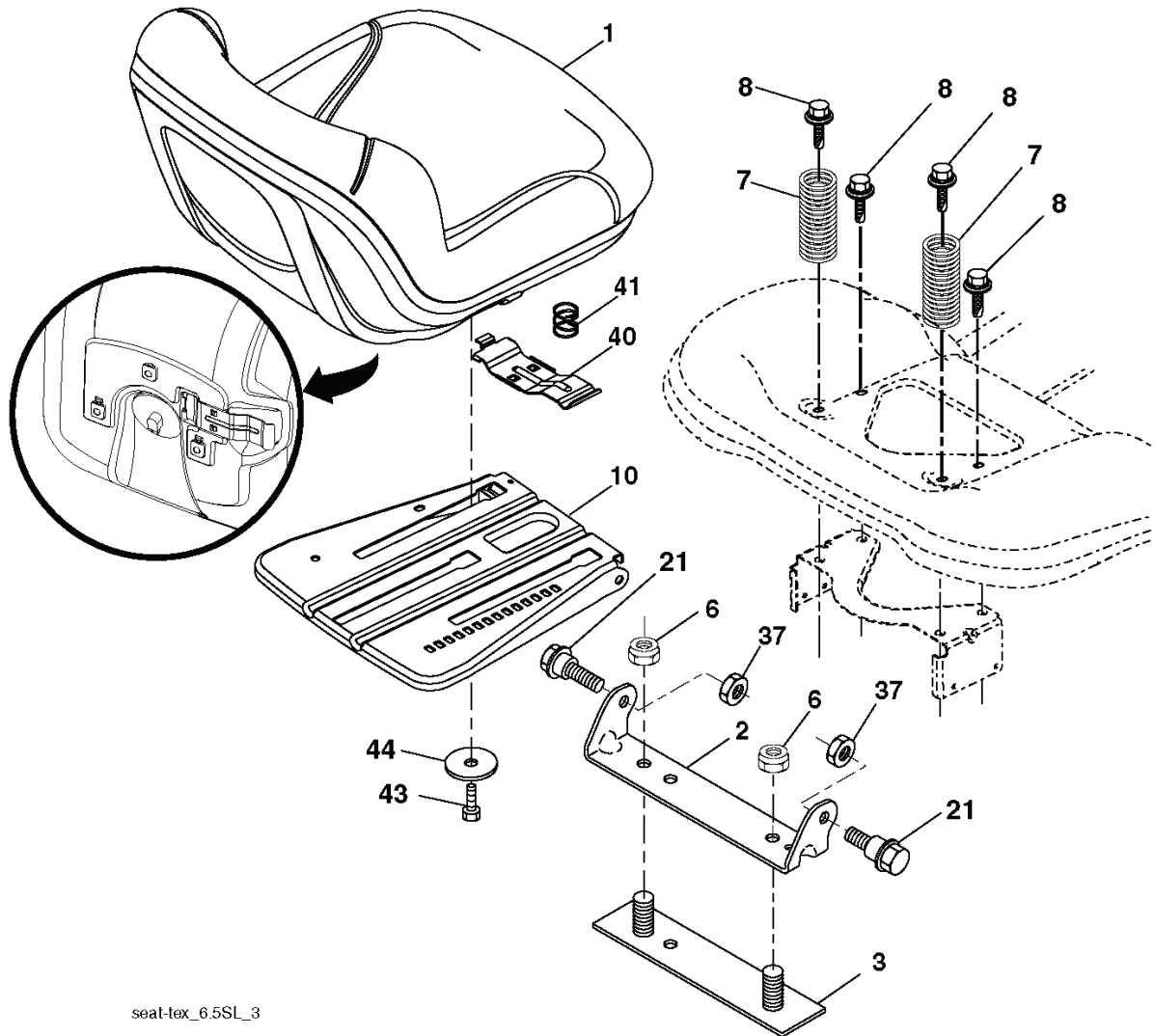


2042 LS, 96043006200, 2008-11

---

# **SPARE PARTS LIST**

**TRACTOR - - MODEL NUMBER 2042LS (96043006200), PRODUCT NO. 960 43 00-62  
SEAT ASSEMBLY**



seat-tex\_6.5SL\_3

| KEY NO. | PART NO.     | DESCRIPTION                   |
|---------|--------------|-------------------------------|
| 1       | 532 40 66-21 | Seat                          |
| 2       | 532 18 01-66 | Bracket Pivot Fender          |
| 3       | 532 14 06-75 | Strap, Asm Fender             |
| 6       | 873 80 06-00 | Nut, Lock w/Ins. 3/8-16 unc   |
| 7       | 532 12 41-81 | Spring, Seat Cprsn            |
| 8       | 532 17 18-77 | Bolt 5/16-18 unc x 3/4 w/Sems |
| 10      | 532 19 69-77 | Pan, Seat                     |
| 21      | 532 17 18-52 | Bolt, Shoulder 5/16-18        |

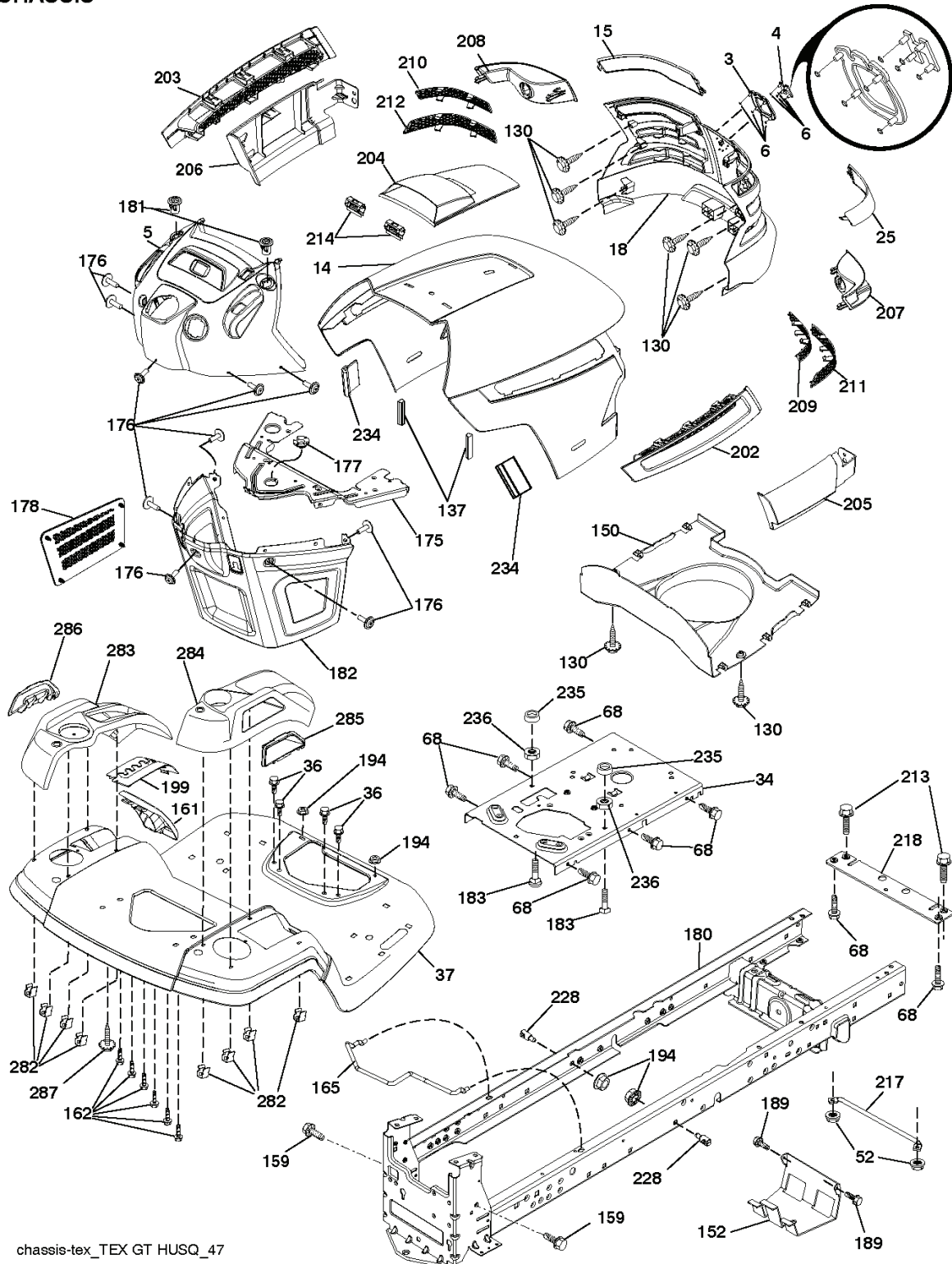
| KEY NO. | PART NO.     | DESCRIPTION                   |
|---------|--------------|-------------------------------|
| 37      | 873 80 05-00 | Nut, Lock 5/16-18 unc         |
| 40      | 532 19 76-61 | Handle Slide Seat             |
| 41      | 532 19 82-00 | Spring Latch Seat             |
| 43      | 874 76 06-12 | Bolt Fin Hex 3/8-16 unc x 3/4 |
| 44      | 819 13 38-12 | Washer 13/32 x 2-3/8 x 12 Ga. |

**NOTE:** All component dimensions given in U.S. inches  
1 inch = 25.4 mm

---

| REF. | PART NO.  | DESCRIPTION | REMARK | QTY. | KIT |
|------|-----------|-------------|--------|------|-----|
| 1    | 532406621 | SEAT        |        | 1    |     |
| 2    | 532180166 | BRACKET     |        | 1    |     |
| 3    | 532140675 | STRAP       |        | 1    |     |
| 6    | 873800600 | NUT         |        | 1    |     |
| 7    | 532124181 | SPRING      |        | 1    |     |
| 8    | 532171877 | BOLT        |        | 1    |     |
| 10   | 532196977 | PLATE       |        | 1    |     |
| 21   | 532171852 | BOLT        |        | 1    |     |
| 37   | 873800500 | LOCK NUT    |        | 1    |     |
| 40   | 532197661 | HANDLE      |        | 1    |     |
| 41   | 532198200 | SPRING      |        | 1    |     |
| 43   | 874760612 | BOLT        |        | 1    |     |
| 44   | 819133812 | WASHER      |        | 1    |     |

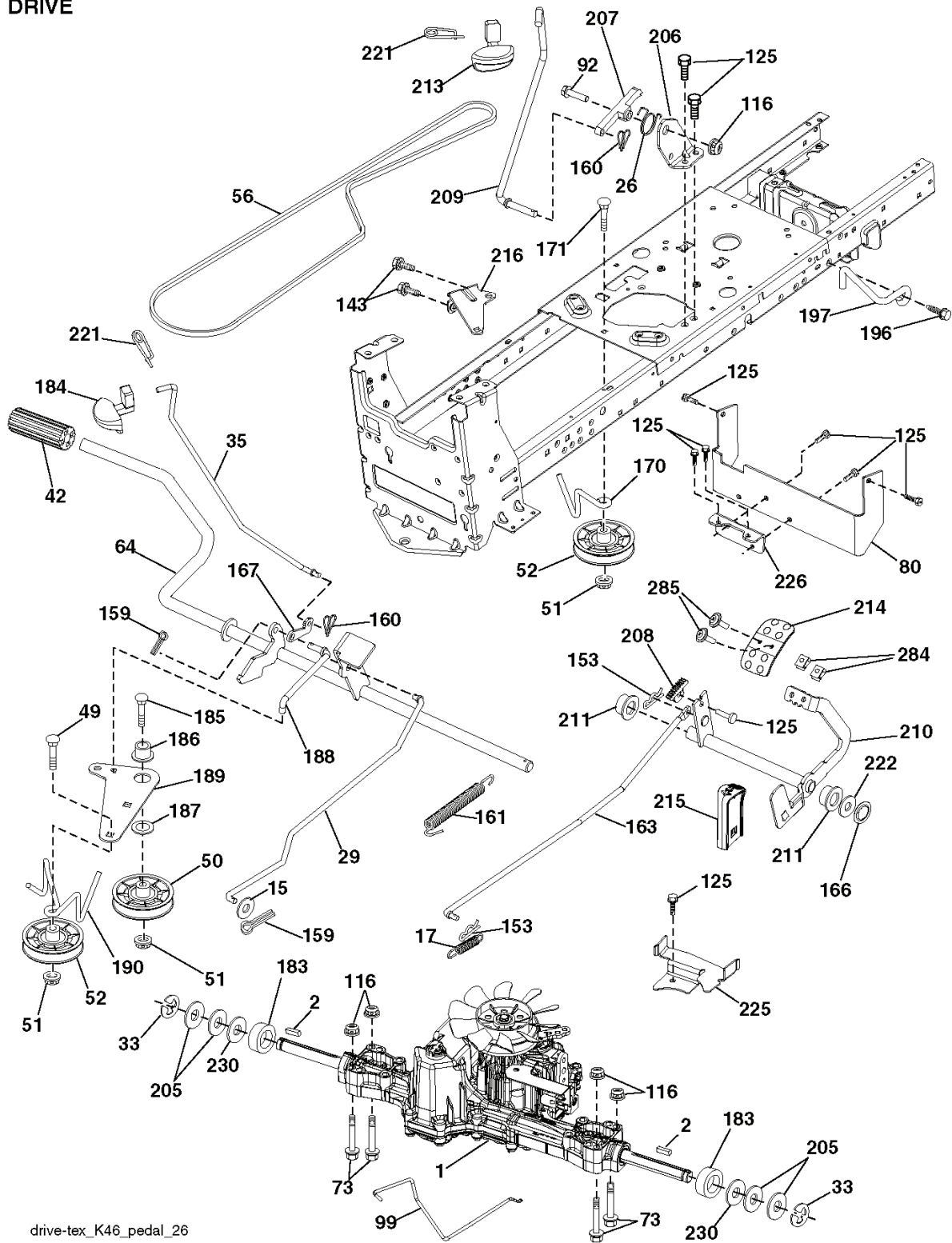
TRACTOR - - MODEL NUMBER 2042LS (96043006200), PRODUCT NO. 960 43 00-62  
CHASSIS



chassis-tex\_TEX GT HUSQ\_47

| REF. | PART NO.  | DESCRIPTION   | REMARK | QTY. | KIT |
|------|-----------|---------------|--------|------|-----|
| 3    | 532408606 | PLATE         |        | 1    |     |
| 4    | 532405012 | LOGOTYPE      |        | 1    |     |
| 5    | 532408698 | DASH          |        | 1    |     |
| 6    | 532110452 | NUT           |        | 1    |     |
| 14   | 532411046 | HOOD          |        | 1    |     |
| 15   | 532198907 | LENS          |        | 1    |     |
| 18   | 532408607 | FRONT COVER   |        | 1    |     |
| 25   | 532198906 | LENS          |        | 1    |     |
| 34   | 532196125 | PLATE         |        | 1    |     |
| 36   | 817060512 | SCREW         |        | 1    |     |
| 37   | 532423694 | FENDER        |        | 1    |     |
| 52   | 873680500 | NUT           |        | 1    |     |
| 68   | 817490508 | SCREW         |        | 1    |     |
| 130  | 532416358 | SCREW         |        | 1    |     |
| 137  | 532407590 | DAMPING PIECE |        | 1    |     |
| 150  | 532198512 | BRACKET       |        | 1    |     |
| 152  | 532199535 | SHIELD        |        | 1    |     |
| 159  | 817000612 | SCREW         |        | 1    |     |
| 161  | 532409627 | CONSOLE       |        | 1    |     |
| 162  | 532142432 | SCREW         |        | 1    |     |
| 165  | 532196826 | BRACKET       |        | 1    |     |
| 175  | 532196304 | SUPPORT       |        | 1    |     |
| 176  | 532400776 | SCREW         |        | 1    |     |
| 177  | 532195227 | BUSHING       |        | 1    |     |
| 178  | 532199782 | NET           |        | 1    |     |
| 180  | 532195457 | CHASSIS       |        | 1    |     |
| 181  | 532403025 | BUSHING       |        | 1    |     |
| 182  | 532406859 | DASH          |        | 1    |     |
| 183  | 874780520 | BOLT          |        | 1    |     |
| 189  | 817000512 | SCREW         |        | 1    |     |
| 194  | 873900500 | NUT           |        | 1    |     |
| 199  | 532413485 | PLATE         |        | 1    |     |
| 202  | 532403048 | LIST          |        | 1    |     |
| 203  | 532403076 | LIST          |        | 1    |     |
| 204  | 532416613 | COVER         |        | 1    |     |
| 205  | 532401709 | LIST          |        | 1    |     |
| 206  | 532401711 | LIST          |        | 1    |     |
| 207  | 532197198 | LENS          |        | 1    |     |
| 208  | 532197199 | LENS          |        | 1    |     |
| 209  | 532199130 | INSERT        |        | 1    |     |
| 210  | 532199131 | INSERT        |        | 1    |     |
| 211  | 532199132 | INSERT        |        | 1    |     |
| 212  | 532199133 | INSERT        |        | 1    |     |
| 213  | 874760512 | BOLT          |        | 1    |     |
| 214  | 532199145 | CLIP          |        | 1    |     |
| 217  | 532409167 | ROD           |        | 1    |     |
| 218  | 532196395 | PLATE         |        | 1    |     |
| 228  | 532195161 | STUD          |        | 1    |     |
| 234  | 532404742 | DAMPING PIECE |        | 1    |     |
| 235  | 532406129 | SPACER        |        | 1    |     |
| 236  | 873930500 | NUT           |        | 1    |     |
| 282  | 532414110 | CLIP          |        | 1    |     |
| 283  | 532418741 | CONSOLE       |        | 1    |     |
| 284  | 532417887 | CONSOLE       |        | 1    |     |
| 285  | 532416315 | CONSOLE       |        | 1    |     |
| 286  | 532416317 | CONSOLE       |        | 1    |     |
| 287  | 817600406 | SCREW         |        | 1    |     |

TRACTOR - - MODEL NUMBER 2042LS (96043006200), PRODUCT NO. 960 43 00-62  
DRIVE



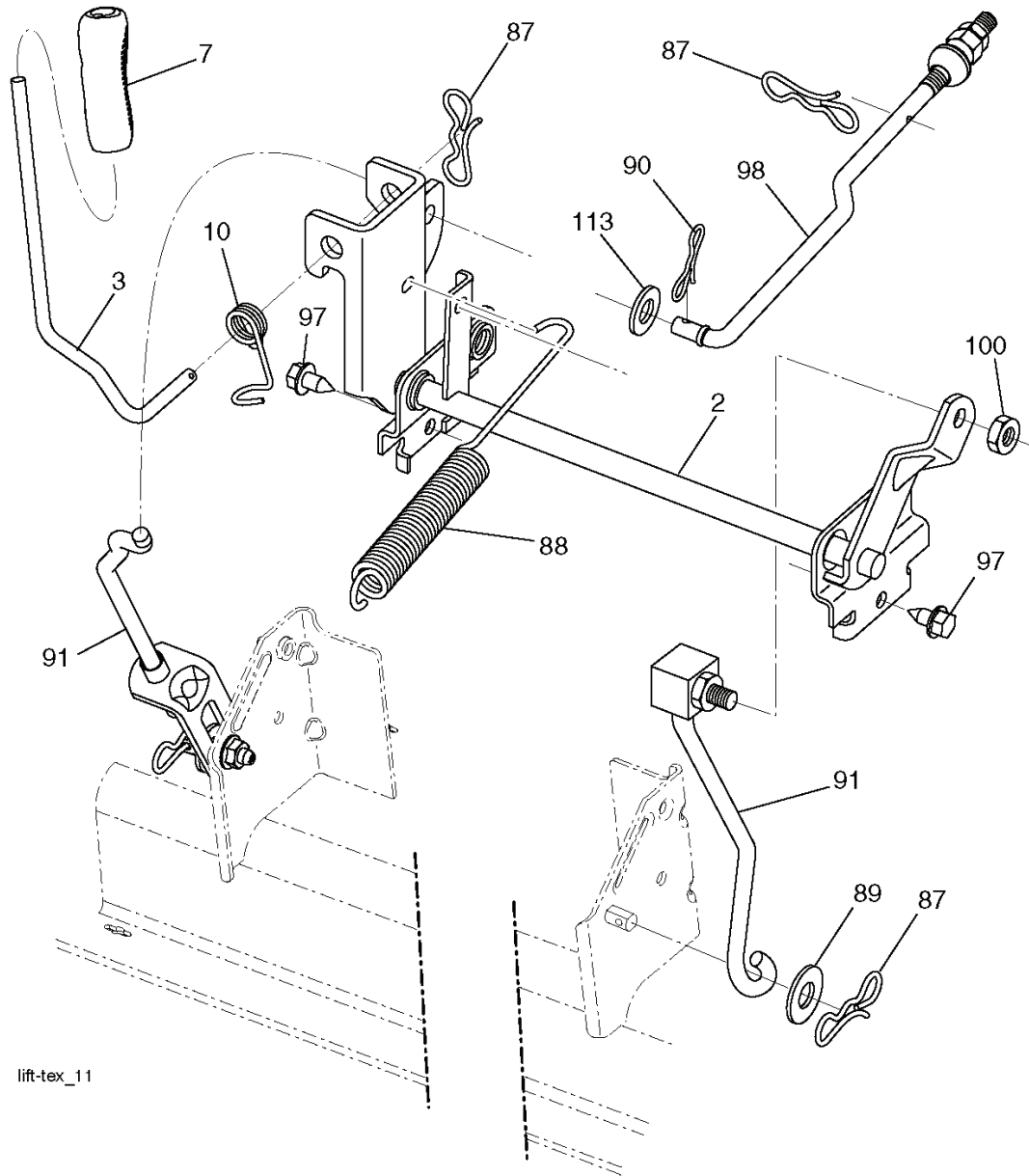
drive-tex\_K46\_pedal\_26

| REF. | PART NO.  | DESCRIPTION                    | REMARK | QTY. | KIT |
|------|-----------|--------------------------------|--------|------|-----|
| 1    | 532405384 | TRANSAXLE, TUFFTORQ K46        |        | 1    |     |
| 2    | 532123583 | KEY                            |        | 1    |     |
| 15   | 819131316 | WASHER                         |        | 1    |     |
| 17   | 532413678 | SRPING.BRAKE.K46.GREEN*SUBS/2* |        | 1    |     |
| 26   | 532199679 | SPRING                         |        | 1    |     |
| 29   | 532403806 | ROD                            |        | 1    |     |
| 33   | 812000001 | RETAINER RING                  |        | 1    |     |
| 35   | 532199591 | ROD                            |        | 1    |     |
| 42   | 532124872 | PEDAL RUBBER                   |        | 1    |     |
| 49   | 872110614 | BOLT                           |        | 1    |     |
| 50   | 532194327 | PULLEY                         |        | 1    |     |
| 51   | 873900600 | NUT                            |        | 1    |     |
| 52   | 532194326 | PULLEY                         |        | 1    |     |
| 56   | 532130969 | BELT                           |        | 1    |     |
| 64   | 532197865 | SHAFT                          |        | 1    |     |
| 73   | 874490544 | SCREW                          |        | 1    |     |
| 80   | 532412170 | STRAP TORQUE.ASM.K46/18*TEX    |        | 1    |     |
| 92   | 874760520 | BOLT                           |        | 1    |     |
| 99   | 532415742 | ROD                            |        | 1    |     |
| 116  | 873900500 | NUT                            |        | 1    |     |
| 125  | 817000512 | SCREW                          |        | 1    |     |
| 143  | 817490508 | SCREW                          |        | 1    |     |
| 153  | 532124788 | RETAINER RING                  |        | 1    |     |
| 159  | 876020412 | SPLIT PIN                      |        | 1    |     |
| 160  | 532169484 | PIN                            |        | 1    |     |
| 161  | 532105709 | SPRING                         |        | 1    |     |
| 163  | 532401034 | ROD                            |        | 1    |     |
| 166  | 532197290 | NUT                            |        | 1    |     |
| 167  | 532405257 | LATCH                          |        | 1    |     |
| 170  | 532194322 | KEEPER                         |        | 1    |     |
| 171  | 872110616 | BOLT                           |        | 1    |     |
| 183  | 532137057 | SPACER                         |        | 1    |     |
| 184  | 532403118 | CONTROL                        |        | 1    |     |
| 185  | 872110622 | BOLT                           |        | 1    |     |
| 186  | 532194321 | SPACER                         |        | 1    |     |
| 187  | 819133210 | WASHER                         |        | 1    |     |
| 188  | 532194323 | LINK                           |        | 1    |     |
| 189  | 532194317 | PLATE                          |        | 1    |     |
| 190  | 532194318 | BELT GUIDE                     |        | 1    |     |
| 196  | 817000616 | SCREW                          |        | 1    |     |
| 197  | 532195804 | BRACKET                        |        | 1    |     |
| 205  | 532121748 | WASHER                         |        | 1    |     |
| 206  | 532197867 | BRACKET                        |        | 1    |     |
| 207  | 532197868 | LATCH                          |        | 1    |     |
| 208  | 532197869 | SUPPORT                        |        | 1    |     |
| 209  | 532199592 | ROD                            |        | 1    |     |
| 210  | 532400980 | PEDAL ARM                      |        | 1    |     |
| 211  | 532120183 | BEARING                        |        | 1    |     |
| 213  | 532403119 | CONTROL                        |        | 1    |     |
| 214  | 532416863 | PEDAL.FORWARD.HUSQVARNA.DEALER |        | 1    |     |
| 215  | 532401723 | PEDAL                          |        | 1    |     |
| 216  | 532196131 | BRACKET                        |        | 1    |     |
| 221  | 532403187 | SPRING                         |        | 1    |     |
| 222  | 879212010 | WASHER                         |        | 1    |     |
| 225  | 532403319 | BELT GUIDE                     |        | 1    |     |
| 226  | 532401564 | BRACKET                        |        | 1    |     |
| 230  | 532188967 | WASHER                         |        | 1    |     |
| 284  | 532417693 | NUT                            |        | 1    |     |
| 285  | 532417765 | SCREW.PHD.1/4-20.BOX DRVE      |        | 1    |     |



| REF. | PART NO.  | DESCRIPTION                    | REMARK  | QTY. | KIT |
|------|-----------|--------------------------------|---|------|-----|
| 1    | 532418616 | DECK,WELDMENT.42'PAINTD.ORANGE |   | 1    |     |
| 2    | 872140506 | BOLT                           |   | 1    |     |
| 6    | 532195186 | ARM                            |   | 1    |     |
| 8    | 532193003 | SCREW                          |   | 1    |     |
| 11   | 532138971 | BLADE                          |   | 1    |     |
| 13   | 532192872 | SHAFT ASSY                     |   | 1    |     |
| 14   | 532187281 | BEARING HOUSING                |   | 1    |     |
| 15   | 532110485 | BEARING                        |   | 1    |     |
| 16   | 532174493 | STRIPPER, MANDREL BLACK        |   | 1    |     |
| 19   | 532196539 | BOLT                           |   | 1    |     |
| 20   | 532159770 | RAIL                           |   | 1    |     |
| 21   | 873680500 | NUT                            |   | 1    |     |
| 23   | 532192557 | HINGE                          |   | 1    |     |
| 24   | 532105304 | HUB CAP                        |   | 1    |     |
| 25   | 532197026 | TORSION SPRING                 |   | 1    |     |
| 26   | 532110452 | NUT                            |   | 1    |     |
| 27   | 532403004 | SHIELD                         |   | 1    |     |
| 29   | 532131491 | SHAFT                          |   | 1    |     |
| 30   | 532173984 | SCREW                          |   | 1    |     |
| 31   | 532187690 | WASHER                         |   | 1    |     |
| 32   | 532153535 | PULLEY                         |   | 1    |     |
| 33   | 532400234 | NUT                            |   | 1    |     |
| 34   | 872110612 | BOLT                           |   | 1    |     |
| 36   | 532197379 | PULLEY                         |   | 1    |     |
| 40   | 873900600 | NUT                            |   | 1    |     |
| 55   | 532197249 | ARM                            |   | 1    |     |
| 56   | 532199092 | SPACER                         |   | 1    |     |
| 57   | 817000616 | SCREW                          |   | 1    |     |
| 59   | 532141043 | GUARD                          |   | 1    |     |
| 62   | 872110616 | BOLT                           |   | 1    |     |
| 68   | 532144959 | BELT                           |   | 1    |     |
| 69   | 872140505 | BOLT                           |   | 1    |     |
| 111  | 532404784 | BRACKET                        |   | 1    |     |
| 112  | 532404785 | BRACKET                        |   | 1    |     |
| 113  | 817000510 | BOLT                           |   | 1    |     |
| 116  | 532124842 | BOLT                           |   | 1    |     |
| 117  | 532188606 | WHEEL                          |   | 1    |     |
| 118  | 873930600 | NUT                            |   | 1    |     |
| 119  | 819121414 | WASHER                         |   | 1    |     |
| 145  | 532193197 | PULLEY                         |   | 1    |     |
| 188  | 532195161 | STUD                           |   | 1    |     |
| 189  | 873900500 | NUT                            |   | 1    |     |
| 190  | 532197251 | SPRING                         |   | 1    |     |
| 241  | 532152927 | SCREW                          |   | 1    |     |
| 242  | 532415598 | HOSE COUPLING                  |   | 1    |     |
| --   | 532192870 | SPINDLE                        | "Mandrel Assembly (Includes housing, shaft assembly, and bearing only - pulley/nut/washer and blade bolt/washers not included)" | 1    |     |
| --   | 532418266 | DECK ASSY                      |   | 1    |     |

**TRACTOR - - MODEL NUMBER 2042LS (96043006200), PRODUCT NO. 960 43 00-62  
MOWER LIFT**



lift-tex\_11

| KEY NO. | PART NO.     | DESCRIPTION                  |
|---------|--------------|------------------------------|
| 2       | 532 19 52-23 | Shaft Asm., Lift             |
| 3       | 532 19 52-31 | Lever Asm., Lift RH          |
| 7       | 532 41 15-55 | Grip, Lever                  |
| 10      | 532 19 63-14 | Spring Torsion               |
| 87      | 532 19 42-09 | Pin Cotter 7/16 Bow Tie Lock |
| 88      | 532 41 07-10 | Spring Lift Assist           |
| 89      | 819 19 19-12 | Washer Clear Zinc            |
| 90      | 532 19 42-08 | Pin Cotter 5/16 Bow Tie Lock |

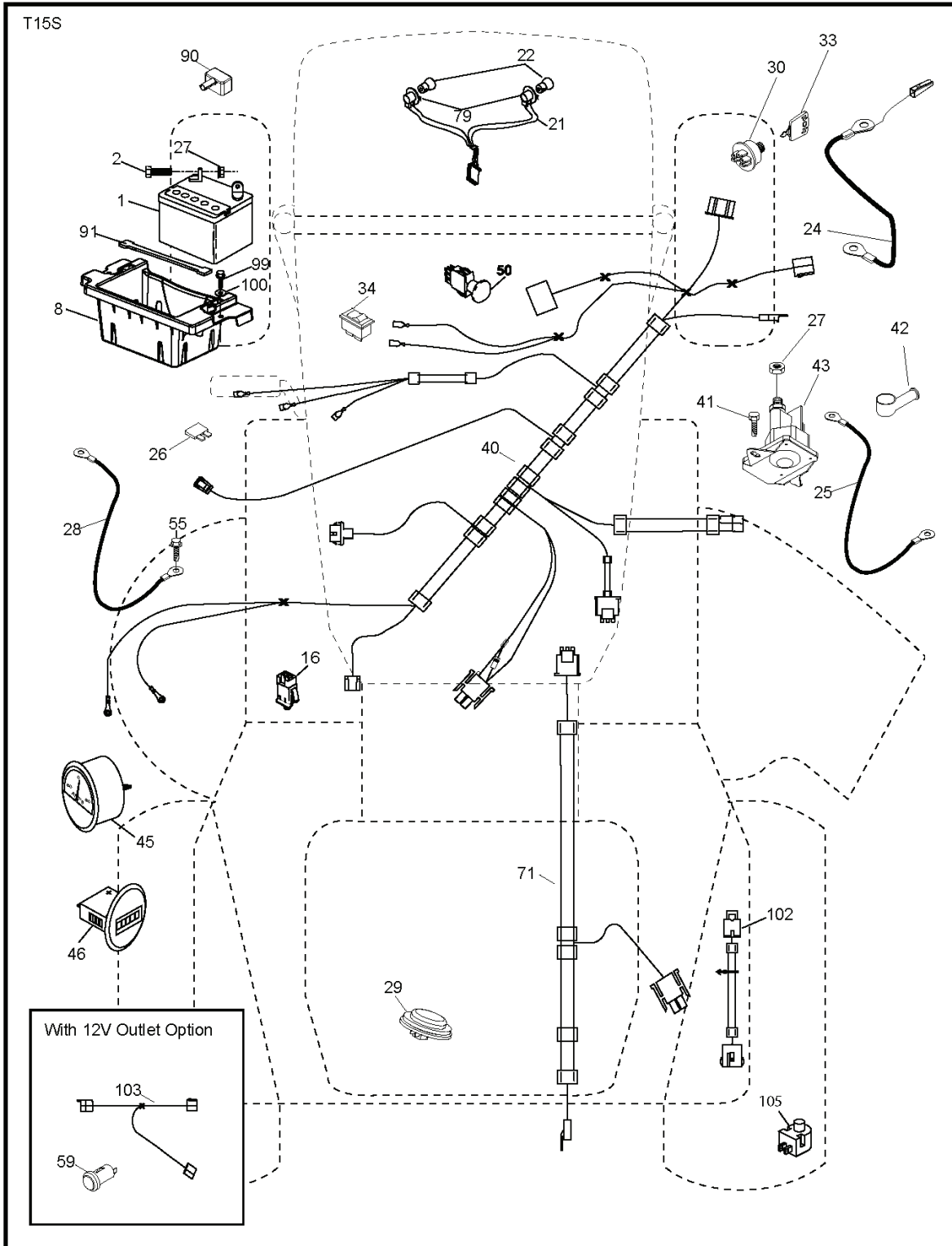
| KEY NO. | PART NO.     | DESCRIPTION                    |
|---------|--------------|--------------------------------|
| 91      | 532 19 51-81 | Link Lift Susp Mower Rear      |
| 97      | 817 00 06-12 | Screw 3/8-16 x 3/4             |
| 98      | 532 19 52-70 | Link Lift Susp. Front Mower    |
| 100     | 873 93 06-00 | Nut Center Lock 3/8-16 unc     |
| 113     | 819 17 19-12 | Washer 17/32 x 1-3/16 x 12 Ga. |

**NOTE:** All component dimensions given in U.S. inches  
1 inch = 25.4 mm

---

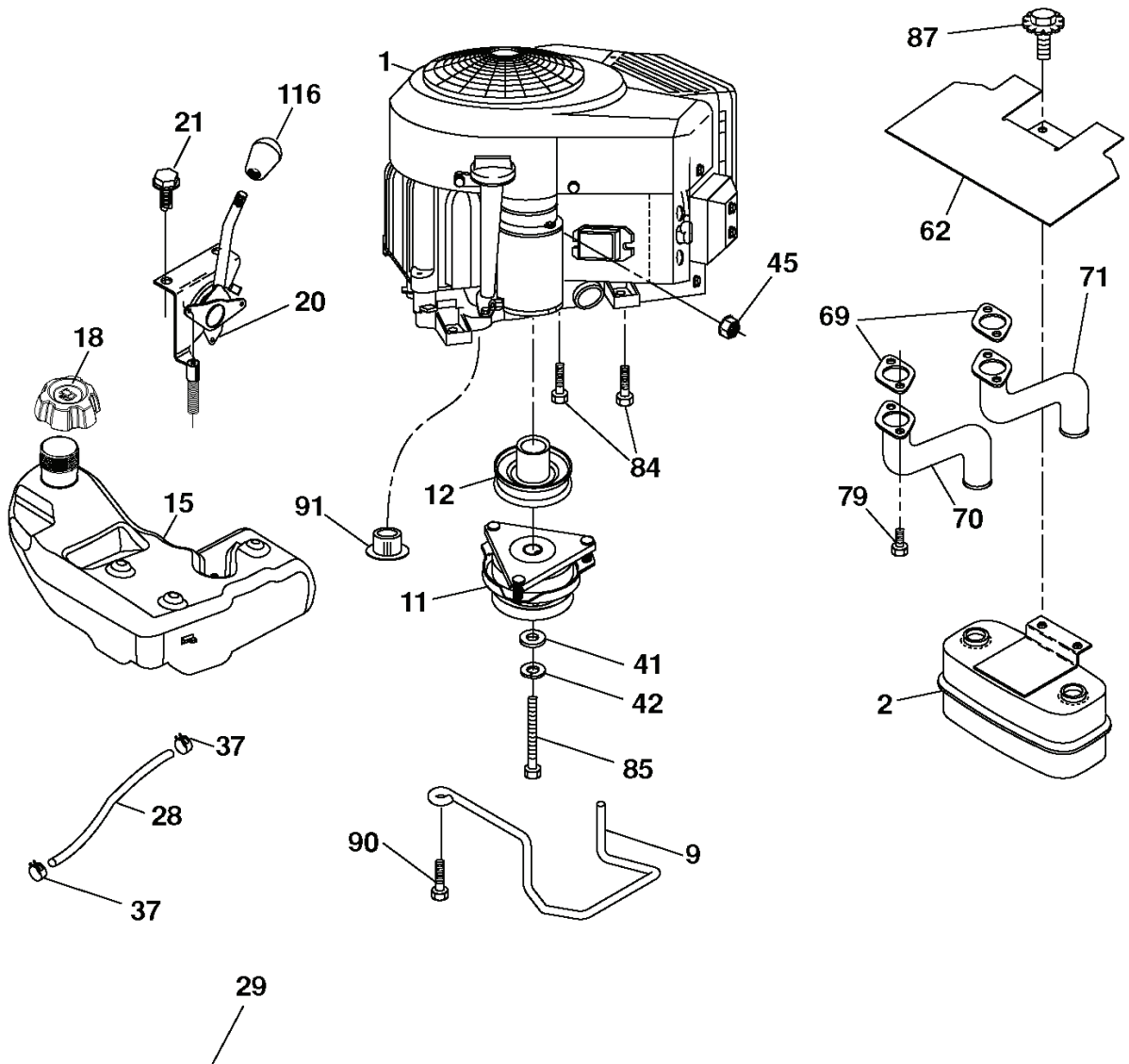
| REF. | PART NO.  | DESCRIPTION | REMARK | QTY. | KIT |
|------|-----------|-------------|--------|------|-----|
| 2    | 532195223 | SHAFT       |        | 1    |     |
| 3    | 532195231 | LEVER       |        | 1    |     |
| 7    | 532411555 | GRIP        |        | 1    |     |
| 10   | 532196314 | SPRING      |        | 1    |     |
| 87   | 532194209 | SPRING      |        | 1    |     |
| 88   | 532410710 | SPRING      |        | 1    |     |
| 89   | 819191912 | WASHER      |        | 1    |     |
| 90   | 532194208 | PIN         |        | 1    |     |
| 91   | 532195181 | LINK        |        | 1    |     |
| 97   | 817000612 | SCREW       |        | 1    |     |
| 98   | 532195270 | LINK        |        | 1    |     |
| 100  | 873930600 | NUT         |        | 1    |     |
| 113  | 819171912 | WASHER      |        | 1    |     |

**TRACTOR - - MODEL NUMBER 2042LS (96043006200), PRODUCT NO. 960 43 00-62  
ELECTRICAL**



| REF. | PART NO.  | DESCRIPTION                    | REMARK | QTY. | KIT |
|------|-----------|--------------------------------|--------|------|-----|
| 1    | 532163465 | BATTERY                        |        | 1    |     |
| 2    | 874760412 | BOLT                           |        | 1    |     |
| 8    | 532186491 | BOX                            |        | 1    |     |
| 16   | 532176138 | MICRO SWITCH                   |        | 1    |     |
| 21   | 532183759 | HARNESS                        |        | 1    |     |
| 22   | 532004152 | BULB                           |        | 1    |     |
| 24   | 532400253 | CABLE                          |        | 1    |     |
| 25   | 532412895 | CABLE.STARTER.6G.BL/RE*SUBS/2* |        | 1    |     |
| 26   | 532175158 | FUSE                           |        | 1    |     |
| 27   | 873510400 | NUT                            |        | 1    |     |
| 28   | 532145491 | CABLE                          |        | 1    |     |
| 29   | 532401545 | SWITCH                         |        | 1    |     |
| 30   | 532193350 | IGNITION MODULE                |        | 1    |     |
| 33   | 532411935 | KEY                            |        | 1    |     |
| 34   | 532110712 | SWITCH                         |        | 1    |     |
| 40   | 532402167 | CABLE                          |        | 1    |     |
| 41   | 817720408 | SCREW                          |        | 1    |     |
| 42   | 532131563 | COVER                          |        | 1    |     |
| 43   | 532192507 | SOLENOID                       |        | 1    |     |
| 45   | 532425270 | GAUGE                          |        | 1    |     |
| 46   | 532426654 | HOURLMETER.STUDMOUNT.LS        |        | 1    |     |
| 50   | 532174651 | SWITCH                         |        | 1    |     |
| 55   | 817060512 | SCREW                          |        | 1    |     |
| 59   | 532400303 | OUTLET-12 VOLT                 |        | 1    |     |
| 71   | 532194276 | CABLE ASSY                     |        | 1    |     |
| 79   | 532175242 | HOLDER                         |        | 1    |     |
| 90   | 532400724 | COVER                          |        | 1    |     |
| 91   | 532190270 | STRAP BATTERY MOUNT FRO        |        | 1    |     |
| 99   | 817670412 | SCREW                          |        | 1    |     |
| 100  | 819091416 | WASHER                         |        | 1    |     |
| 102  | 532404454 | CABLE                          |        | 1    |     |
| 103  | 532421747 | HARNESS                        |        | 1    |     |
| 105  | 532407568 | SWITCH                         |        | 1    |     |

TRACTOR - - MODEL NUMBER 2042LS (96043006200), PRODUCT NO. 960 43 00-62  
ENGINE



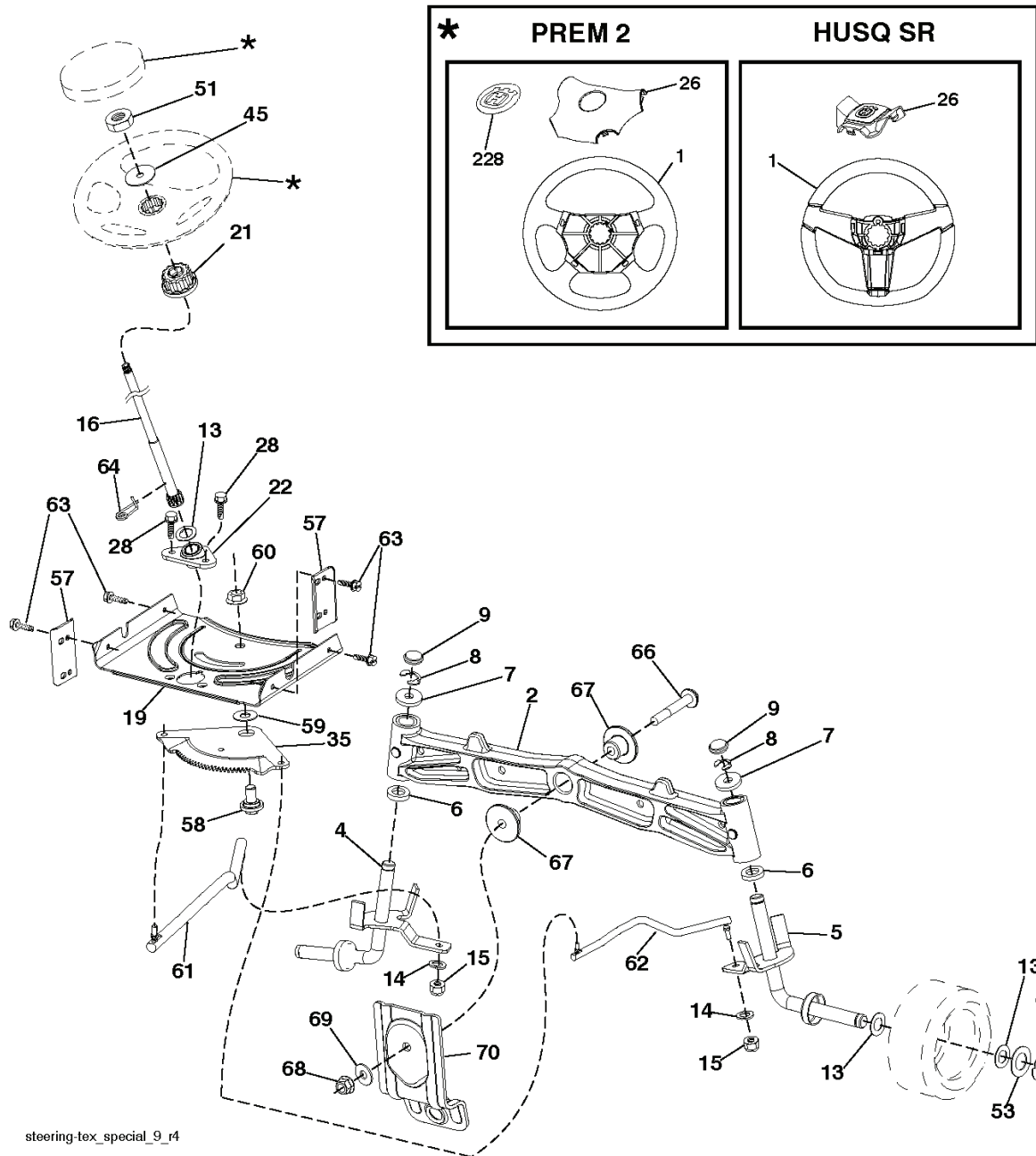
**SPARK ARRESTER KIT**

engine-tex\_bs-2cyl\_22

---

| REF. | PART NO.  | DESCRIPTION            | REMARK | QTY. | KIT |
|------|-----------|------------------------|--------|------|-----|
| 1    |           |                        |        | 1    |     |
| 2    | 532149723 | MUFFLER                |        | 1    |     |
| 9    | 532194320 | BELT GUIDE             |        | 1    |     |
| 11   | 532180505 | CLUTCH                 |        | 1    |     |
| 12   | 532405097 | PULLEY                 |        | 1    |     |
| 15   | 532400021 | FUEL TANK              |        | 1    |     |
| 18   | 532194267 | FUEL CAP               |        | 1    |     |
| 20   | 532424340 | CONTROL THROTTLE/CHOKE |        | 1    |     |
| 21   | 532416358 | SCREW                  |        | 1    |     |
| 28   | 532401135 | LINE.FUEL.64'REAR.EMIS |        | 1    |     |
| 29   | 532137180 | SPARK ARRESTER KIT     |        | 1    |     |
| 37   | 532123487 | HOSE CLAMP             |        | 1    |     |
| 41   | 532126197 | WASHER                 |        | 1    |     |
| 42   | 810040700 | WASHER                 |        | 1    |     |
| 45   | 873510400 | NUT                    |        | 1    |     |
| 62   | 532146629 | HEAT SHIELD            |        | 1    |     |
| 69   | 532165391 | GASKET                 |        | 1    |     |
| 70   | 532159955 | TUBE                   |        | 1    |     |
| 71   | 532160589 | TUBE                   |        | 1    |     |
| 79   | 532183906 | SCREW                  |        | 1    |     |
| 84   | 817060620 | SCREW                  |        | 1    |     |
| 85   | 532173937 | BOLT                   |        | 1    |     |
| 87   | 537171877 | BOLT                   |        | 1    |     |
| 90   | 817000616 | SCREW                  |        | 1    |     |
| 91   | 532187495 | BUSHING                |        | 1    |     |
| 116  | 532424659 | KNOB SOFT TOUCH        |        | 1    |     |

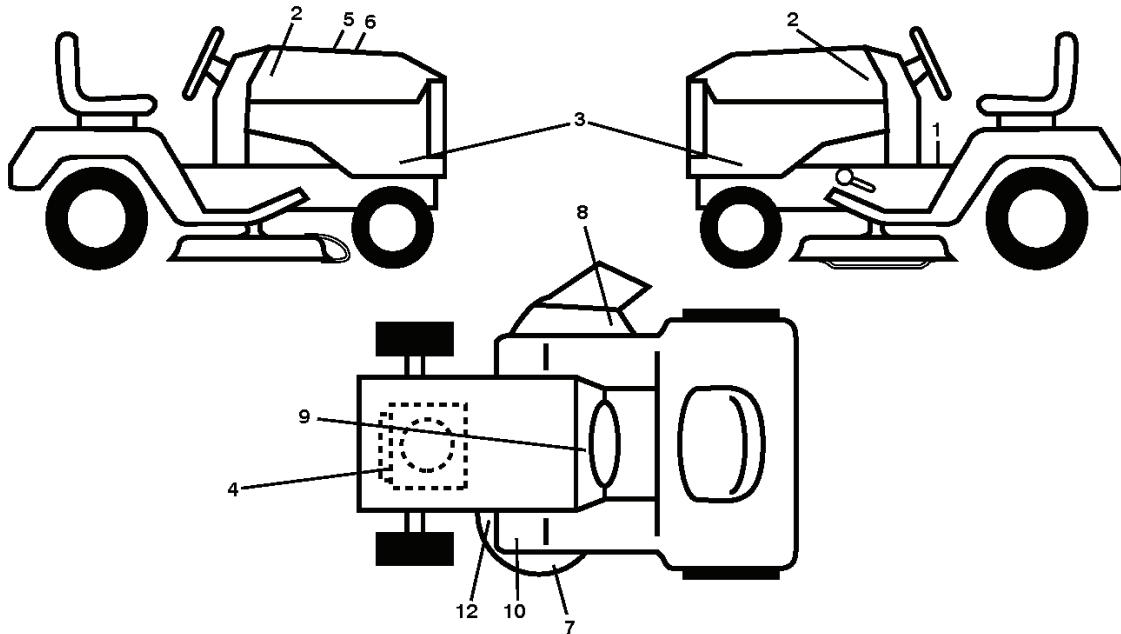
**TRACTOR - - MODEL NUMBER 2042LS (96043006200), PRODUCT NO. 960 43 00-62**  
**STEERING ASSEMBLY**



steering-tex\_special\_9\_r4

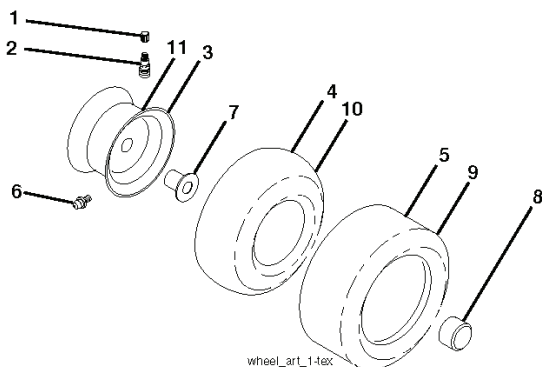
| REF. | PART NO.  | DESCRIPTION     | REMARK | QTY. | KIT |
|------|-----------|-----------------|--------|------|-----|
| 1    | 532416480 | STEERING WHEEL  |        | 1    |     |
| --   | 532193651 | STEERING WHEEL  |        | 1    |     |
| 2    | 532195968 | SHAFT           |        | 1    |     |
| 4    | 532403087 | SPINDLE         |        | 1    |     |
| 5    | 532403088 | SPINDLE         |        | 1    |     |
| 6    | 532124931 | WASHER          |        | 1    |     |
| 7    | 532121748 | WASHER          |        | 1    |     |
| 8    | 812000029 | RETAINER RING   |        | 1    |     |
| 9    | 532121232 | HUB CAP         |        | 1    |     |
| 13   | 532121749 | WASHER          |        | 1    |     |
| 14   | 810040600 | WASHER          |        | 1    |     |
| 15   | 873540600 | NUT             |        | 1    |     |
| 16   | 532408219 | SHAFT           |        | 1    |     |
| 19   | 532194729 | PLATE           |        | 1    |     |
| 21   | 532186737 | ADAPTER         |        | 1    |     |
| 22   | 532194845 | BUSHING         |        | 1    |     |
| 26   | 532415987 | KNOB            |        | 1    |     |
| --   | 532415987 | KNOB            |        | 1    |     |
| 28   | 817000612 | SCREW           |        | 1    |     |
| 35   | 532194732 | PLATE           |        | 1    |     |
| 45   | 819183812 | WASHER          |        | 1    |     |
| 51   | 873940800 | NUT             |        | 1    |     |
| 53   | 532188967 | WASHER          |        | 1    |     |
| 57   | 532407465 | BRACKET         |        | 1    |     |
| 58   | 532194747 | BOLT            |        | 1    |     |
| 59   | 532194748 | WASHER          |        | 1    |     |
| 60   | 873971000 | NUT             |        | 1    |     |
| 61   | 532194740 | LINK            |        | 1    |     |
| 62   | 532194741 | LINK            |        | 1    |     |
| 63   | 817000512 | SCREW           |        | 1    |     |
| 64   | 532199849 | SPRING RETAINER |        | 1    |     |
| 66   | 871020748 | BOLT            |        | 1    |     |
| 67   | 532194737 | BUSHING         |        | 1    |     |
| 68   | 873900700 | NUT             |        | 1    |     |
| 69   | 532199162 | WASHER          |        | 1    |     |
| 70   | 532196197 | BRACKET         |        | 1    |     |
| 228  | 532404484 | LABEL           |        | 1    |     |
| --   | 532193652 | HUB             |        | 1    |     |

**TRACTOR - - MODEL NUMBER 2042LS (96043006200), PRODUCT NO. 960 43 00-62  
DECALS**



| KEY NO. | PART NO.     | DESCRIPTION                      | KEY NO. | PART NO.     | DESCRIPTION                   |
|---------|--------------|----------------------------------|---------|--------------|-------------------------------|
| 1       | 532 41 16-58 | Decal, Operators                 | 9       | 532 14 50-05 | Decal, Battery Dnge/Poi       |
| 2       | 532 42 47-89 | EMBLEM, Hood                     | 10      | 532 41 86-00 | Decal, Pedal                  |
| 3       | 532 41 82-11 | Decal, Emblem Panel SD           | 12      | 532 16 03-96 | Decal, Mower V-Belt Schematic |
| 4       | 532 41 84-93 | Decal, Eng.                      | --      | 532 16 69-60 | Decal, Bypass                 |
| 5       | 532 42 38-29 | Decal, Customer Respons.         | --      | 532 41 08-05 | Pad, Footrest, LH             |
| 6       | 532 42 55-24 | Decal, Replacement               | --      | 532 41 08-06 | Pad, Footrest, RH             |
| 7       | 532 41 82-77 | Decal, Deck Airinduct            |         |              |                               |
| 8       | 532 17 05-63 | Decal, Mower Warn Keep Hand Away |         |              |                               |

**WHEELS AND TIRES**



| KEY NO. | PART NO.     | DESCRIPTION                       |
|---------|--------------|-----------------------------------|
| 1       | 532 05 91-92 | Cap Valve Tire                    |
| 2       | 532 06 51-39 | Stem Valve                        |
| 3       | 532 13 83-36 | Rim Front Service                 |
| 4       | 532 05 99-04 | Tube Front (Service Item Only)    |
| 5       | 532 17 04-55 | Tire Front 15 x 6.0-6 Service     |
| 6       | 532 12 49-57 | Fitting Grease (Front Wheel Only) |
| 7       | 532 12 49-59 | Bearing Flange (Front Wheel Only) |
| 8       | 532 17 50-39 | Cap Axle Blk 1 50 x 1 00          |
| 9       | 532 17 04-56 | Tire R T 20 x 10-8 Service        |
| 10      | 532 12 49-26 | Tube Rear (Service Item Only)     |
| 11      | 532 13 83-37 | Rim Asm 8" Rear Service           |
| --      | 532 14 43-34 | Sealant, Tire (10 oz. Tube)       |

**NOTE:** All component dimensions given in U.S. inches  
1 inch = 25.4 mm

| REF. | PART NO.  | DESCRIPTION       | REMARK            | QTY. | KIT |
|------|-----------|-------------------|-------------------|------|-----|
| 1    | 532411658 | DECAL             |                   | 1    |     |
| 1    | 532059192 | CAP VALVE         |                   | 1    |     |
| 2    | 532424789 | DECAL             |                   | 1    |     |
| 2    | 532065139 | NIPPLE            |                   | 1    |     |
| 3    | 532418211 | DECAL             |                   | 1    |     |
| 3    | 532138336 | RIM               |                   | 1    |     |
| 4    | 532418493 | DECAL             |                   | 1    |     |
| 4    | 532059904 | HOSE              | SERVICE ITEM ONLY | 1    |     |
| 5    | 532423829 | DECAL             |                   | 1    |     |
| 5    | 532170455 | TIRE              |                   | 1    |     |
| 6    | 532425524 | DECAL             |                   | 1    |     |
| 6    | 532124957 | FITTING           | FRONT WHEEL ONLY  | 1    |     |
| 7    | 532418277 | DECAL             |                   | 1    |     |
| 7    | 532124959 | BEARING           | FRONT WHEEL ONLY  | 1    |     |
| 8    | 532170563 | DECALC."DANGER"   |                   | 1    |     |
| 8    | 532175039 | HUB CAP           |                   | 1    |     |
| 9    | 532145005 | DECAL             |                   | 1    |     |
| 9    | 532170456 | TIRE              |                   | 1    |     |
| 10   | 532418600 | DECAL             |                   | 1    |     |
| 10   | 532124926 | HOSE              | SERVICE ITEM ONLY | 1    |     |
| 12   | 532160396 | DECAL             |                   | 1    |     |
| 11   | 532138337 | RIM SPROCKET      |                   | 1    |     |
| --   | 532166960 | DECAL             |                   | 1    |     |
| --   | 532144334 | SEALING FOAM      |                   | 1    |     |
| --   | 532410805 | PAD               |                   | 1    |     |
| --   | 532410806 | PAD, FOOTREST. RH |                   | 1    |     |