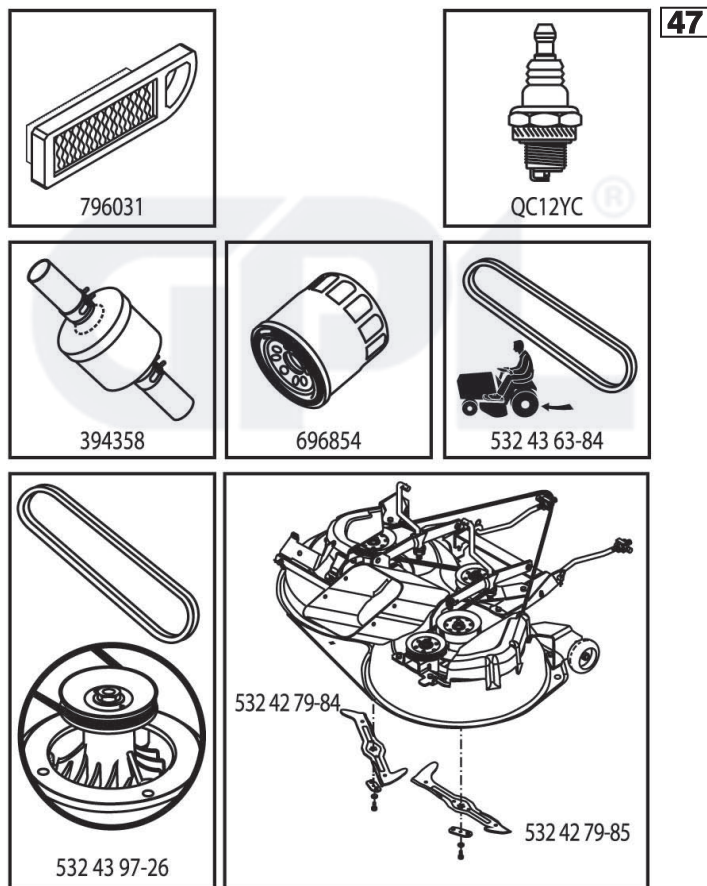


# ILLUSTRATED PARTS LIST

**MFG. ID NO. 96051000401**

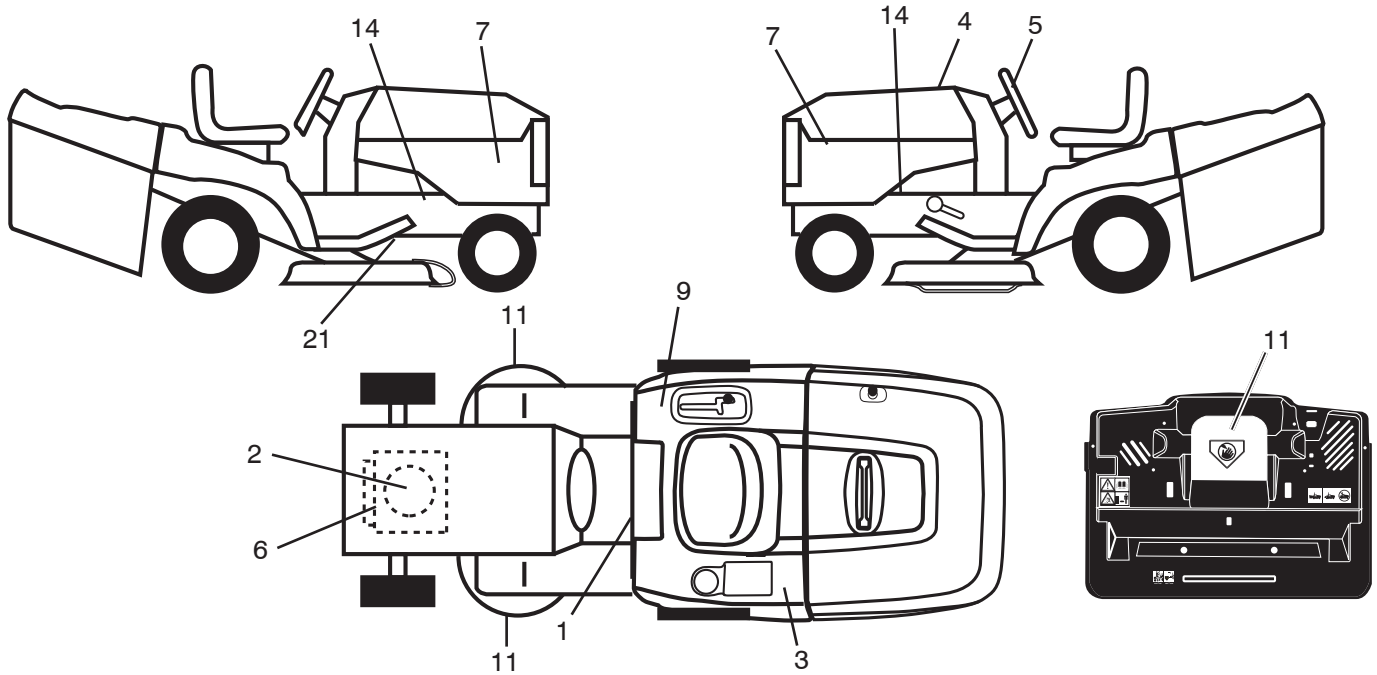
**CUSTOMER CATALOG NO. LT2316CM**

**PRODUCT NO. 960 51 00-04**



439832

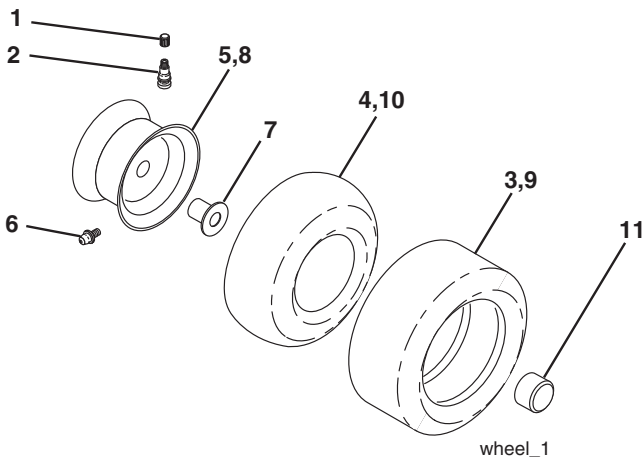
**TRACTOR - MODEL NO. LT2316CM (96051000401), PROD. NO. 960 51 00-04  
DECALS 27**



KEY NO.	PART NO.	DESCRIPTION
1	532 44 55-03	Decal Warning Sym. CE
2	532 19 68-41	Decal Warning Eng. Sym.
3	532 44 27-44	Decal Battery Door
4	532 43 98-32	Decal Replacement
5	532 43 74-45	Decal Wheel Steering
6	532 43 74-76	Decal Engine HP
7	532 44 10-67	Decal Side Panel
9	532 18 04-32	Decal Fender Logo
11	532 18 21-66	Decal Mower Cut Finger Symbol

KEY NO.	PART NO.	DESCRIPTION
14	532 15 97-36	Decal Chassis Hot Muffler
21	532 44 11-89	Decal Hex Belt Sch 92 CRD
--	532 18 04-35	Decal Backplate
--	532 42 59-28	Pad Footrest RH
--	532 42 59-76	Pad Footrest LH
--	532 44 09-24	Manual Operator's (Euro)
--	532 44 08-10	Manual Operator's (Scan)
--	532 44 08-11	Manual Operator's (E-Bloc)
--	532 44 08-13	Manual Operator's (Baltic)

**WHEELS & TIRES**



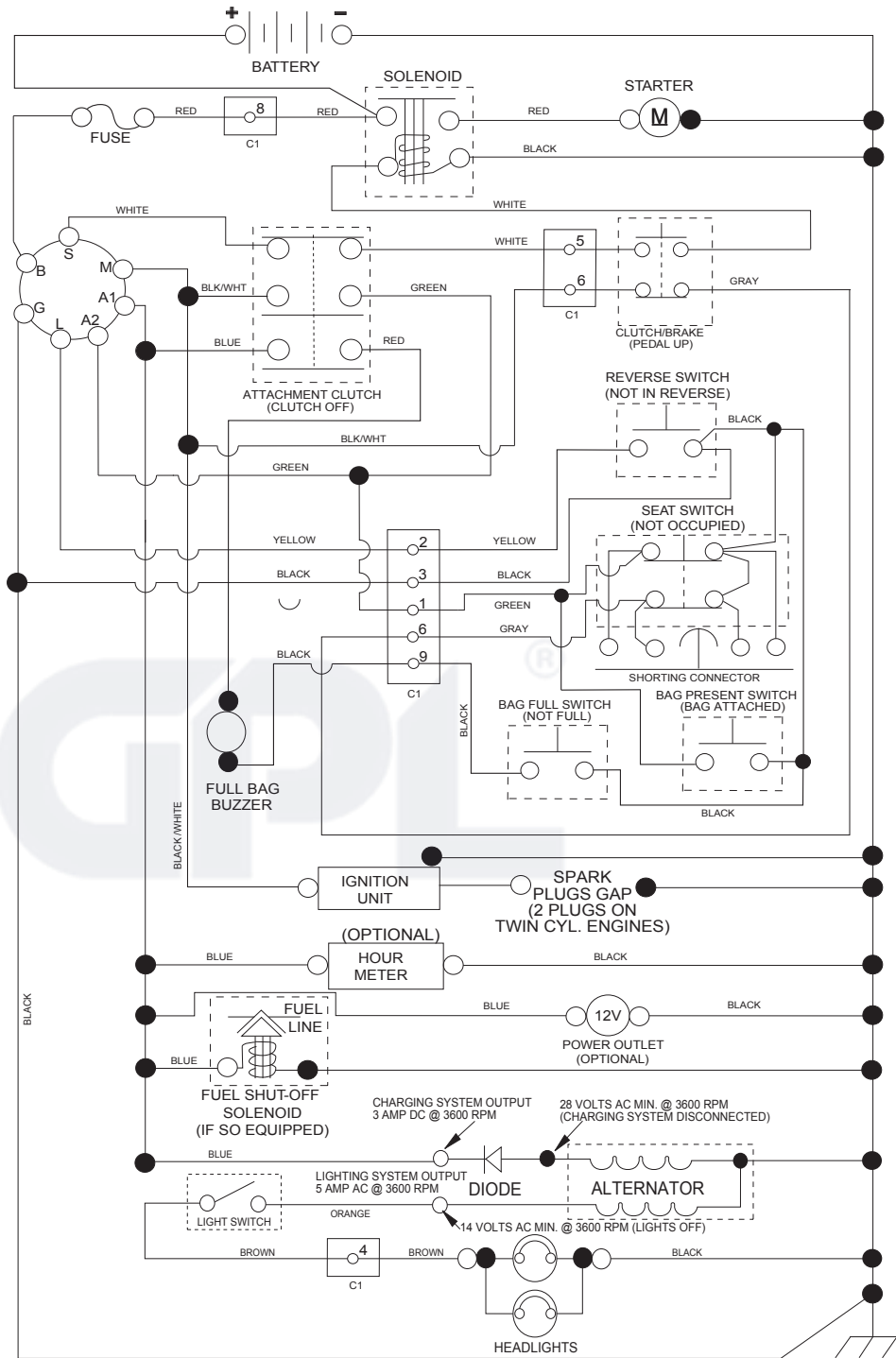
KEY NO.	PART NO.	DESCRIPTION
1	532 05 91-92	Cap Valve Tire
2	532 06 51-39	Stem Valve
3	532 10 62-22	Tire F Ts 15 x 6 0 - 6
4	532 05 99-04	Tube Inner Front #35060
5	532 13 83-36	Rim Asm 6" Front
6	532 12 49-57	Fitting Grease
7	532 12 49-59	Bearing Flange
8	532 13 83-37	Rim Asm 8" Rear
9	532 42 05-31	Tire R Ts 18 x 9-8 Turf Saver LT
10	532 12 49-26	Tube Rear 9 5 x 8
11	532 17 50-39	Cap Axle Blk 1 50 x 1 00
--	532 14 43-34	Sealant, Tire (10 oz. Tube)

**NOTE:** All component dimensions given in U.S. inches  
1 inch = 25.4 mm

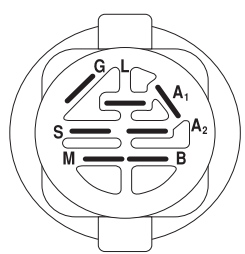
# TRACTOR - MODEL NO. LT2316CM (96051000401), PROD. NO. 960 51 00-04

## SCHEMATIC **38**

SCH17

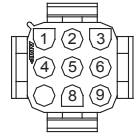


**NOTE**  
 YOUR TRACTOR IS EQUIPPED WITH A SPECIAL ALTERNATOR SYSTEM. THE LIGHTS ARE NOT CONNECTED TO THE BATTERY, BUT HAVE THEIR OWN ELECTRICAL SOURCE. BECAUSE OF THIS, THE BRIGHTNESS OF THE LIGHTS WILL CHANGE WITH ENGINE SPEED. AT IDLE THE LIGHTS WILL DIM. AS THE ENGINE SPEED IS INCREASED, THE LIGHTS WILL BECOME THEIR BRIGHTEST.

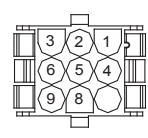


IGNITION SWITCH

POSITION	CIRCUIT "MAKE"
OFF	M+G+A1
RUN/OVERRIDE	B+A1
RUN	B+A1 L+A2
START	B + S + A1



CHASSIS HARNESS CONNECTOR (C1) (MATING SIDE)



DASH HARNESS CONNECTOR (C1) (MATING SIDE)

WIRING INSULATED CLIPS  
 NOTE: IF WIRING INSULATED CLIPS WERE REMOVED FOR SERVICING OF UNIT, THEY SHOULD BE RE-INSTALLED TO PROPERLY SECURE YOUR WIRING.



NON-REMOVABLE CONNECTIONS



REMOVABLE CONNECTIONS

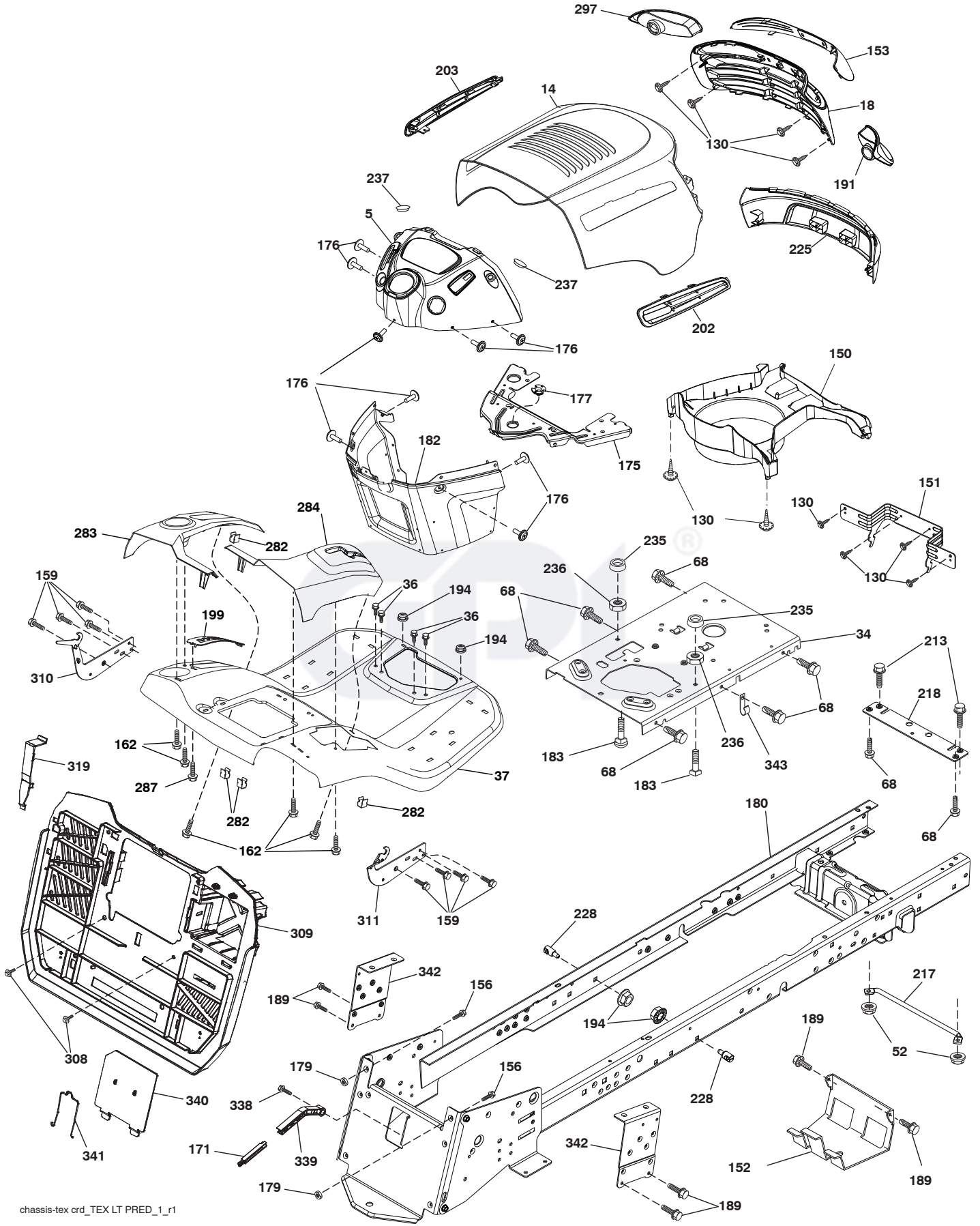


**TRACTOR - MODEL NO. LT2316CM (96051000401), PROD. NO. 960 51 00-04  
ELECTRICAL 32**

<b>KEY NO.</b>	<b>PART NO.</b>	<b>DESCRIPTION</b>
1	532 43 71-57	Battery
2	532 44 09-23	Bolt Hex Hd 1/4-20 unc x 3/4
16	532 17 61-38	Switch Interlock
21	532 40 02-52	Harness Asm Light w/4152J
22	532 00 41-52	Bulb Light #1156
25	532 43 71-62	Cable Battery CRD 56" Red
26	532 17 51-58	Fuse
27	873 51 04-00	Nut Keps Hex 1/4-20 unc
28	532 43 71-63	Cable Ground 6 Ga. 18" Black
29	532 40 15-45	Switch Seat
30	532 19 33-50	Switch Ignition
33	532 41 19-35	Key/Chain
34	532 11 07-12	Switch Light
40	532 42 10-02	Harness Ignition
41	817 72 04-08	Screw 1/4-20 x 1/2
43	532 19 25-07	Solenoid
55	817 06 05-12	Screw 5/16-18 x 3/4
71	532 43 71-60	Harness, Chassis
79	532 17 52-42	Socket Asm Bulb Twistlock
83	532 43 67-74	Nut 1.85 x 11 mm
87	532 42 10-60	Switch, Railmount
92	532 19 66-15	Harness Pigtail
93	532 19 25-40	Screw Plastite 10-14 x 2.0
94	532 19 18-34	Module Reverse
107	532 18 03-79	Switch, Full Bagger
108	532 42 10-62	Switch, Snapmount

**NOTE:** All component dimensions given in U.S. inches  
1 inch = 25.4 mm

**TRACTOR - MODEL NO. LT2316CM (96051000401), PROD. NO. 960 51 00-04**  
**CHASSIS AND ENCLOSURES 39**



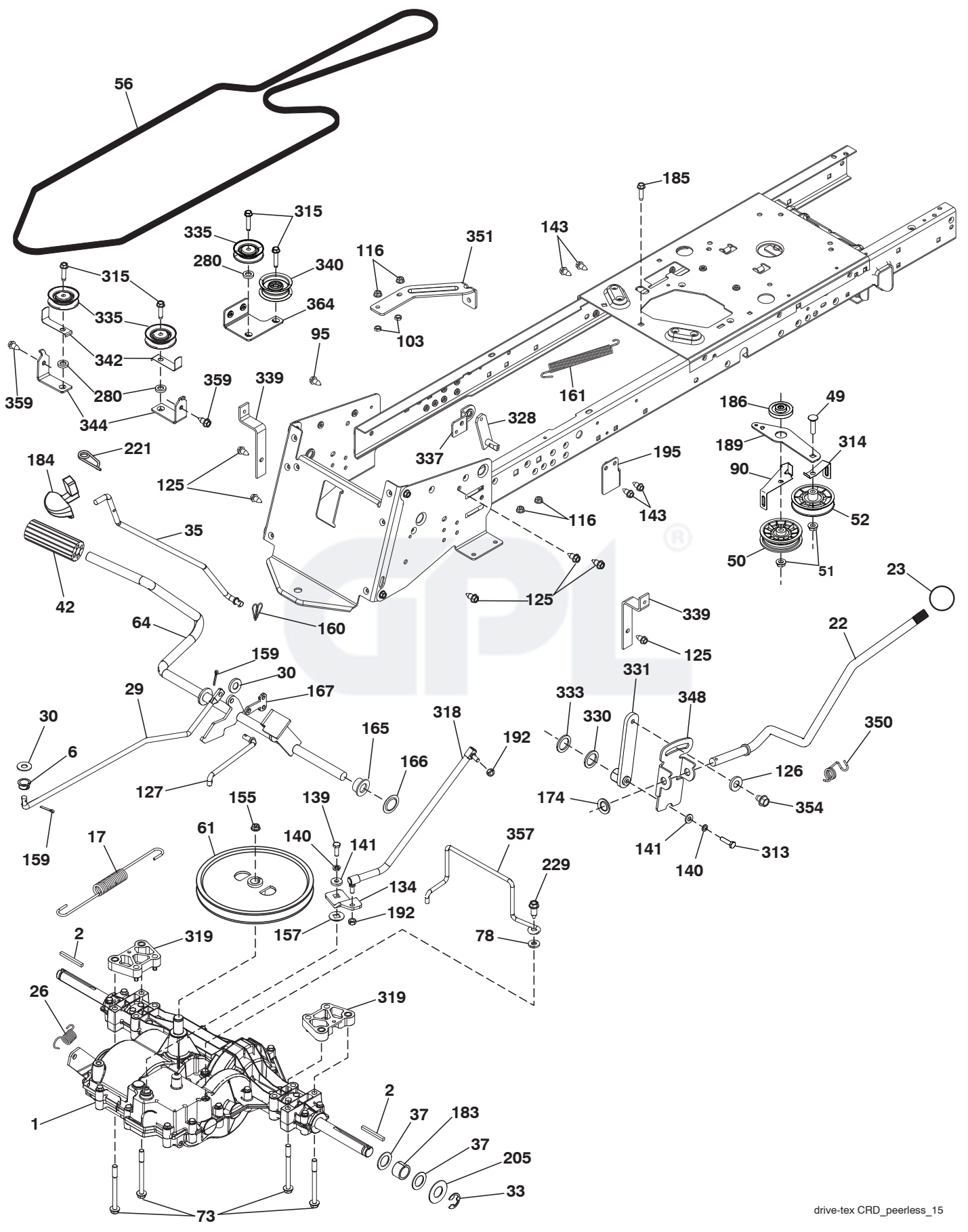
chassis-tex crd\_TEX LT PRED\_1\_r1

**TRACTOR - MODEL NO. LT2316CM (96051000401), PROD. NO. 960 51 00-04  
CHASSIS AND ENCLOSURES 39**

KEY NO.	PART NO.	DESCRIPTION	KEY NO.	PART NO.	DESCRIPTION
5	532 40 95-97	Dash	203	532 42 43-23	Vent Side LH
14	532 44 12-87	Hood	213	874 76 05-12	Bolt 5/16-18 x 3/4
18	532 42 65-11	Grille	217	532 40 91-67	Rod Pivot Hood
34	532 19 61-25	Plate Engine	218	532 19 63-95	X-Piece Hood Stop
36	817 06 05-12	Screw 5/16-18 x 3/4	225	532 44 14-87	Bumper Grill
37	532 44 13-39	Fender	228	532 19 51-61	Stud Fastener
52	873 68 05-00	Nut Crown Lock 5/16	235	532 40 61-29	Spacer Fender
68	817 49 05-08	Screw THDROL 5/16-18 x 1/2	236	873 93 05-00	Nut Lock 5/16-18 unc
130	532 41 63-58	Screw #10 x 0.750 BOS Thread	237	532 40 37-04	Plug Mount Cargo
150	532 40 02-67	Air Duct	282	532 41 41-10	Retainer Clip
151	532 18 75-68	Bracket Pivot	284	532 44 05-28	Console Shift
152	532 19 95-35	Shield Browning	283	532 44 03-61	Console Deck Lift
153	532 44 42-64	Lens	287	817 60 04-06	Screw Hex Washhead 1/4-20 x 3/8
156	872 14 06-14	Bolt 3/8-16 unc x 1-3/4	297	532 40 18-27	Insert Reflect LH
159	817 00 06-12	Bolt	308	532 17 18-77	Bolt 5/16-18 unc 3/4
162	532 14 24-32	Screw 1/4 x 1/2 unc	309	532 43 66-26	Back Plate
171	532 44 12-89	Extension Bagger Full	310	532 44 66-36	Bracket Hanger LH
175	532 19 94-72	Crossmember	311	532 44 66-37	Bracket Hanger RH
176	532 40 07-76	Screw 10-24 x 5/8	319	532 17 46-62	Bracker Actuator Bagger
177	532 19 52-28	Bushing Steering	338	532 43 66-40	Bolt 5/16-18 x .88
179	532 16 89-37	Nut Push	339	532 43 66-41	Lever Full Bagger
180	532 43 54-72	Chassis	340	532 44 09-31	Battery Door
182	532 40 71-76	Dash Lower	341	532 43 66-38	Battery Latch
183	874 52 05-20	Bolt 5/16-18 unc x 1-1/4	342	532 43 59-38	Support Fender
189	817 00 05-12	Screw 5/16-18 x 3/4	343	532 44 07-49	Clip
191	532 41 65-02	Insert Reflect RH			
194	873 90 05-00	Nut Lock Hex Flange 5/16-18			
199	532 41 87-39	Plate Deck Lift			
202	532 42 43-22	Vent Side RH			

**NOTE:** All component dimensions given in U.S. inches  
1 inch = 25.4 mm

TRACTOR - MODEL NO. LT2316CM (96051000401), PROD. NO. 960 51 00-04  
DRIVE **40**



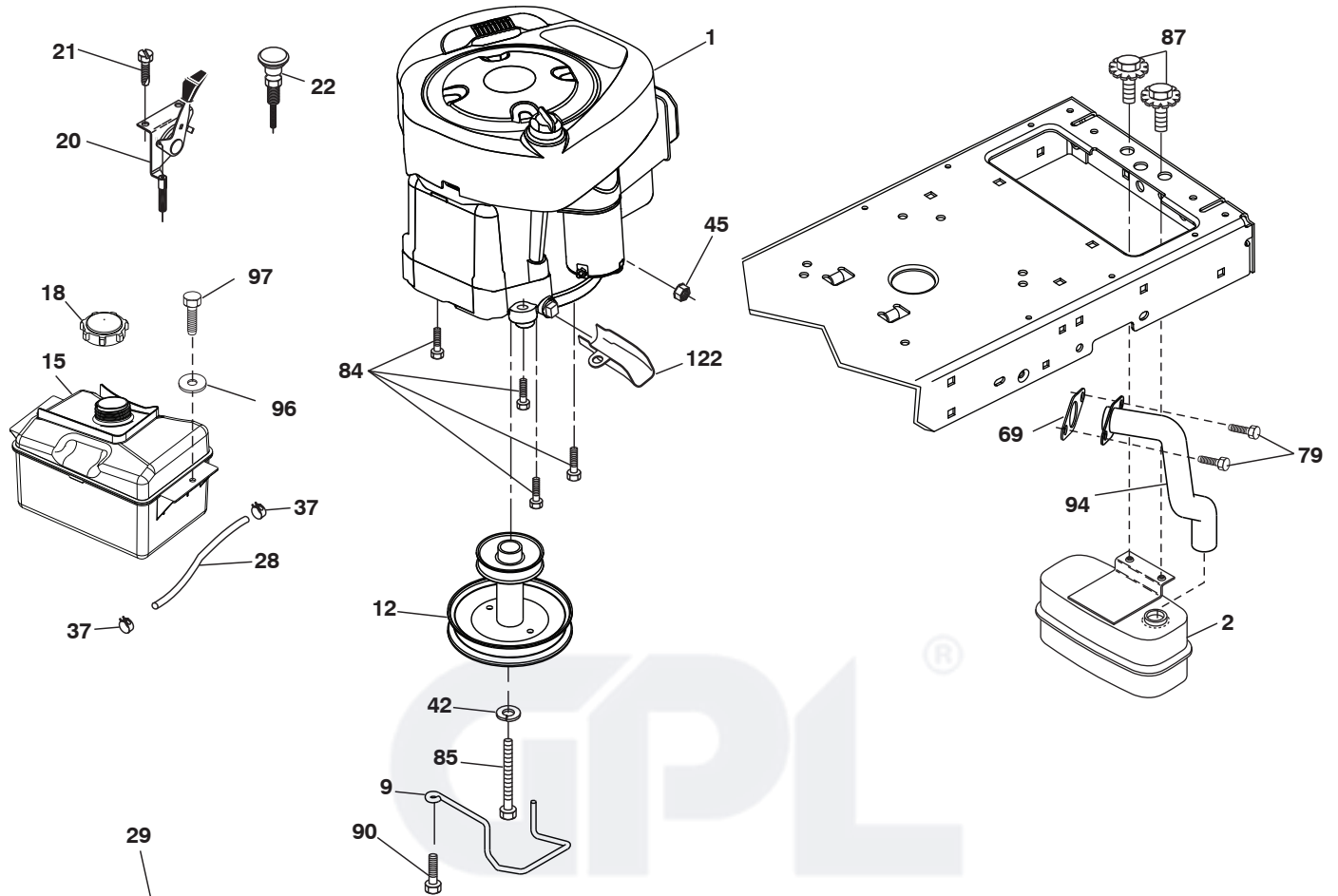
drive-tex CRD\_peerless\_15

**TRACTOR - MODEL NO. LT2316CM (96051000401), PROD. NO. 960 51 00-04  
DRIVE **40****

KEY NO.	PART NO.	DESCRIPTION	KEY NO.	PART NO.	DESCRIPTION
1	---	Transaxle, Peerless 206-578 (436815) (Order parts from trans-axle manufacturer.)	174	532 19 72-89	Nut Push
2	532 12 35-83	Key Square	183	532 13 70-57	Spacer Axle
6	532 12 40-28	Bushing	184	532 44 14-07	Knob
17	532 44 08-67	Spring, Brake	185	872 11 06-22	Bolt
22	532 44 32-46	Rod Shift CRD Tex	186	532 19 43-21	Spacer Retainer
23	532 12 12-74	Knob Duckhead 1/2-13	189	532 43 36-11	Bellcrank Ground Drive
26	532 14 66-82	Spring Brake Return	192	532 15 03-60	Nut Lock Center 1/4-28 Fnthd.
29	532 43 70-16	Rod, Brake	195	532 43 58-65	Bracket Brake Rod
30	819 13 16-16	Washer	205	532 12 17-48	Washer 25/32 x 1-5/8 16 Ga.
33	812 00 00-01	Ring E	221	532 40 31-87	Retaining Spring
35	532 40 10-31	Rod, Brake, Park	229	817 06 05-16	Screw
37	532 12 17-49	Washer 25/32 x 1-1/4 x 16 Ga.	280	819 11 10-12	Washer
42	532 12 48-72	Cover, Foot Pedal	313	874 78 04-16	Bolt
49	872 11 06-14	Bolt	314	532 12 32-05	Retainer, Belt Style Spring
50	532 43 82-85	Idler Flat	315	817 58 05-20	Screw Thdrol 5/16-18 x 4.25
51	873 90 06-00	Lock Nut 3/8-16	318	532 43 70-22	Link Shift Gear
52	532 19 43-26	Pulley Idler V Groove Plastic	319	532 43 67-94	Spacer Transaxle Tex CRD
56	532 43 63-84	V-Belt, Drive	328	532 43 79-58	Shaft Shift Front
61	532 16 59-99	Pulley Transaxle	330	532 16 95-93	Washer Nylon
64	532 19 62-00	Shaft Asm. Pedal Brake Control	331	532 44 36-06	Hub Shift
73	874 49 05-60	Bolt Hex 5/16-18 x 3.75	333	532 17 08-68	Wave Spring Washer
78	819 11 12-12	Washer	335	532 19 95-34	Pulley V-Idler
90	532 44 36-05	Keeper Belt Clutching	337	532 43 59-37	Bracket Supt Shift CRD Tex
95	817 00 06-12	Screw	339	532 43 68-67	Strap Torue K46 CRD Tex
103	873 35 05-00	Nut	340	532 43 68-12	Idler Flat
116	873 90 05-00	Nut Lock Hex Flange 5/16-18	342	532 18 26-82	Keeper Belt
125	817 00 05-12	Screw 5/16-18 x 3/4	344	532 43 56-45	Bracket Idler CRD Tex
126	532 16 60-02	Washer Srrtd 5/16 ID x 1.0 x .125	348	532 44 36-07	Bracket Pivot Lever
127	532 19 43-23	Link Clutch Ground Drive	350	532 44 50-20	Spring Torsion Shift
134	532 14 50-90	Asm. Shift	351	532 43 69-98	Bracket
139	874 55 04-12	Bolt 1/4-28 unf Gr. 8 w/Patch	354	817 49 05-10	Screw
140	810 04 04-00	Washer Lock Hvy. Helical 1/4	357	532 44 13-38	Belt Keeper
141	819 09 12-10	Washer 9/32 x 3/4 x 10 Ga.	359	817 49 06-10	Screw Hxwsh Thdr 3/8-16 x 5/8
143	817 49 05-08	Screw Thdrol 5/16-18 x 1/2 TYTT	364	532 44 30-32	Bracket
155	812 00 00-28	Ring Retainer			
157	532 10 57-01	Washer Plate Shift			
159	876 02 04-12	Cotter Pin			
160	532 16 94-84	Retainer Clip			
161	532 10 57-09	Spring, Return, Clutch			
165	532 19 62-12	Bushing Shaft Brake Hand Control			
166	532 42 91-64	Nut Push .625			
167	532 40 52-57	Latch Brake Parking			

**NOTE:** All component dimensions given in U.S. inches  
1 inch = 25.4 mm

**TRACTOR - MODEL NO. LT2316CM (96051000401), PROD. NO. 960 51 00-04**  
**ENGINE 24**



**OPTIONAL EQUIPMENT**  
**SPARK ARRESTER**

engine-tex-BS\_39

**TRACTOR - MODEL NO. LT2316CM (96051000401), PROD. NO. 960 51 00-04  
ENGINE 24**

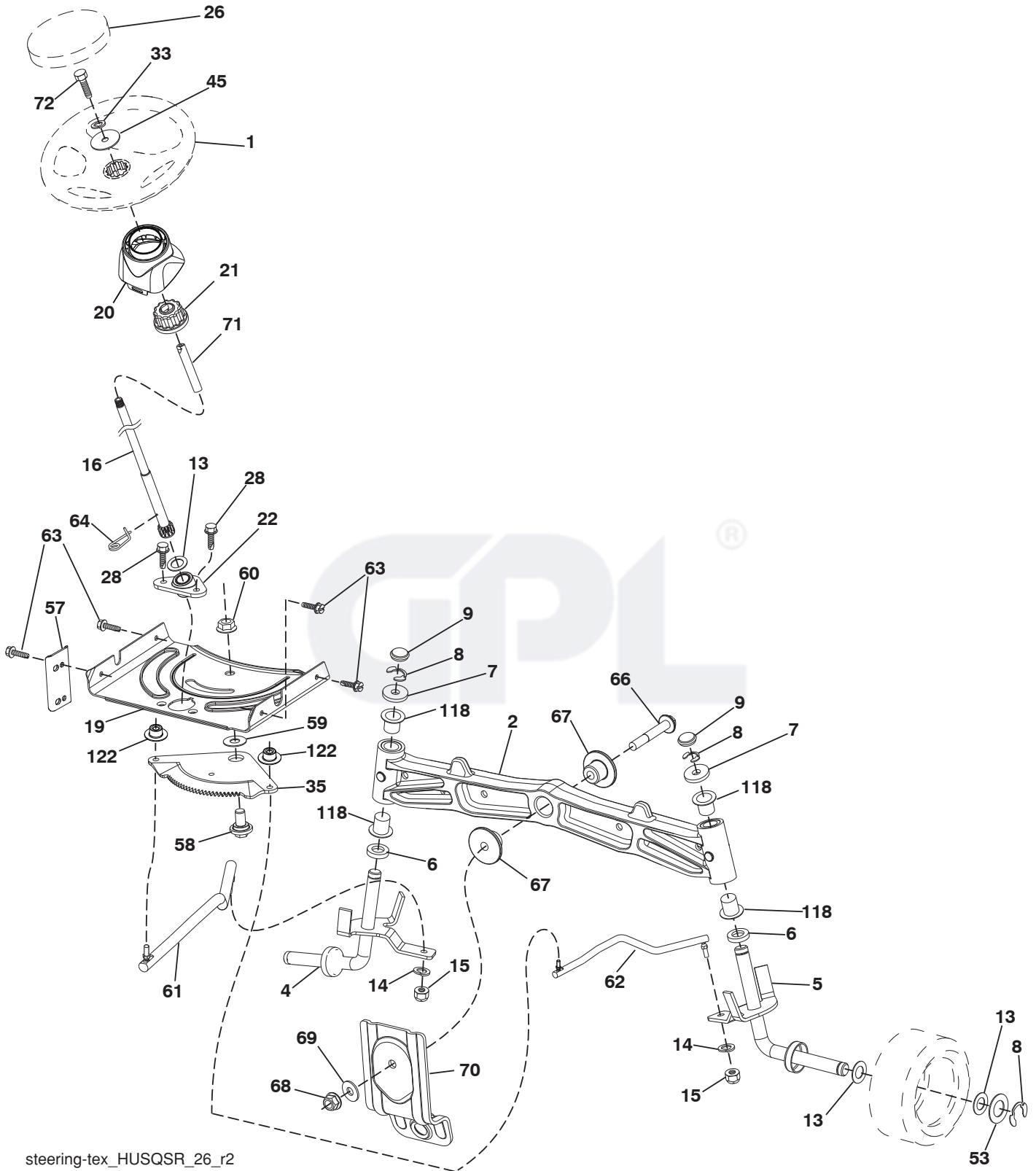
KEY NO.	PART NO.	DESCRIPTION
1	- - - - -	Engine B&S Model No. 31E677-2438-B1 (438585) (Order parts from engine manufacturer.)
2	532 18 86-55	Muffler
9	532 19 43-20	Keeper Belt Engine
12	532 40 54-71	Pulley Engine
15	532 40 75-45	Tank Fuel
18	532 43 02-20	Cap Asm
20	532 18 38-97	Control Throttle/Choke
21	532 41 63-58	Screw #10 x 0.750 BOS Thread
22	532 19 49-81	Control Choke
28	532 13 70-40	Fuel Line
29	532 13 71-80	Spark Arrester Kit
37	532 12 34-87	Clamp Hose
42	810 04 07-00	Washer Lock 7/16
45	873 51 04-00	Nut Keps Hex 1/4-20 unc
69	532 16 52-91	Gasket
79	532 19 23-34	Screw Socket Hd 5/16-18 x .75
84	817 06 06-20	Screw 3/8-16 x 1-1/4
85	532 17 39-37	Bolt Hex 7/16-20 x 4 x Gr. 5-1.5
87	532 17 18-77	Bolt 5/16-18 unc 3/4
90	817 00 06-16	Screw 3/8-16 x 1.0
94	581 88 09-01	Exhaust Tube
96	819 09 14-16	Washer 9/32 x 7/8 x 16 Ga.
97	817 67 04-12	Screw 1/4-20 x 3/4
122	532 42 19-22	Extension Drain Oil

**NOTE:** All component dimensions given in U.S. inches  
1 inch = 25.4 mm

**Engine Power Rating Information**

The gross power rating for individual gas engine models is labeled in accordance with SAE (Society of Automotive Engineers) code J1940 (Small Engine Power & Torque Rating Procedure), and rating performance has been obtained and corrected in accordance with SAE J1995 (Revision 2002-05). Torque values are derived at 3060 RPM; horsepower values are derived at 3600 RPM. Actual gross engine power will be lower and is affected by, among other things, ambient operating conditions and engine-to-engine variability. Given both the wide array of products on which engines are placed and the variety of environmental issues applicable to operating the equipment, the gas engine will not develop the rated gross power when used in a given piece of power equipment (actual "on-site" or net power). This difference is due to a variety of factors including, but not limited to, accessories (air cleaner, exhaust, charging, cooling, carburetor, fuel pump, etc.), application limitations, ambient operating conditions (temperature, humidity, altitude), and engine-to-engine variability. Due to manufacturing and capacity limitations, Briggs & Stratton may substitute an engine of higher rated power for this Series engine.

**TRACTOR - MODEL NO. LT2316CM (96051000401), PROD. NO. 960 51 00-04**  
**STEERING ASSEMBLY 41**



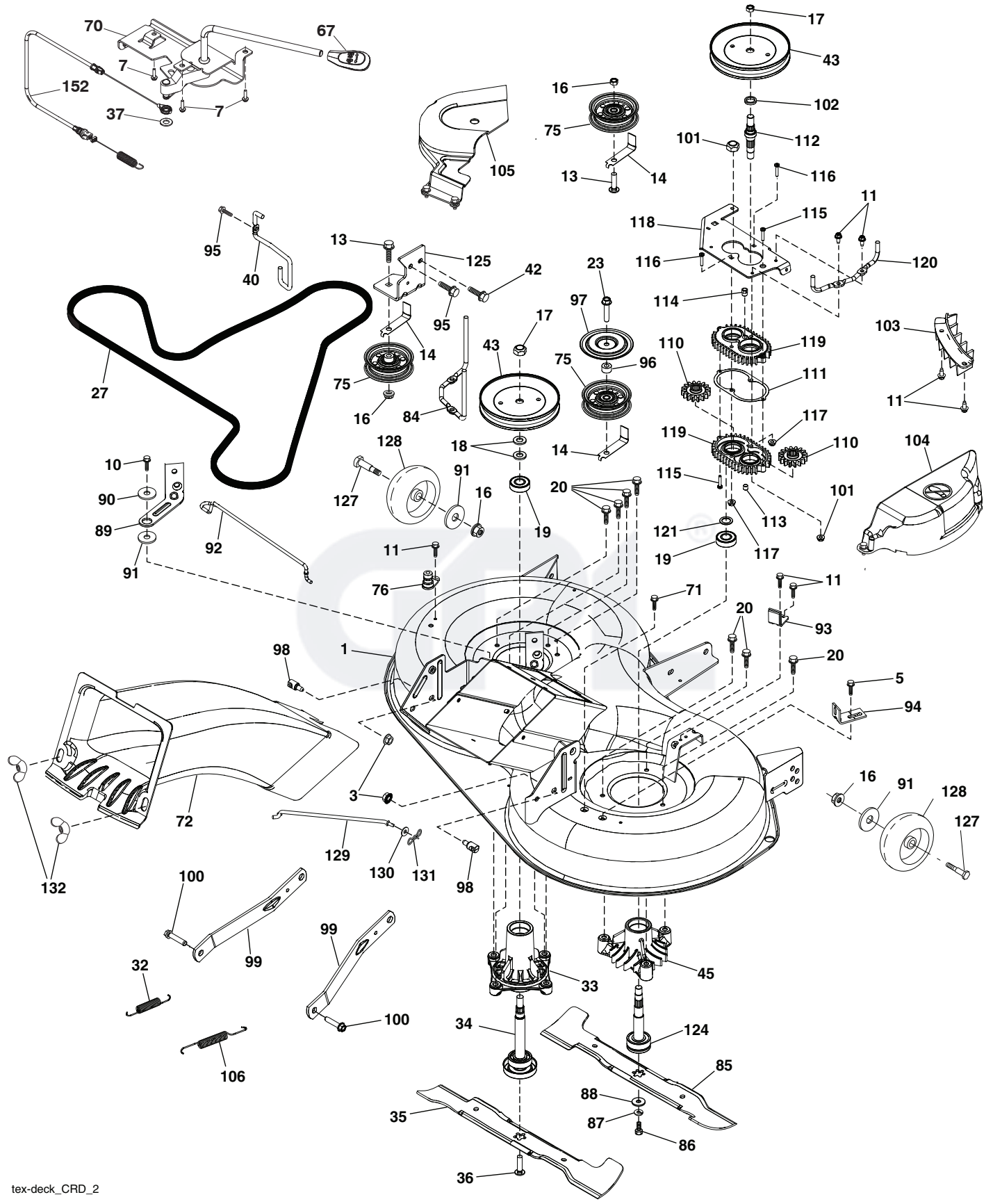
steering-tex\_HUSQSR\_26\_r2

**TRACTOR - MODEL NO. LT2316CM (96051000401), PROD. NO. 960 51 00-04**  
**STEERING ASSEMBLY 41**

KEY NO.	PART NO.	DESCRIPTION
1	532 42 41-46	Wheel, Steering
2	532 41 35-91	Axle Asm., Front
4	532 40 30-87	Spindle Asm., LH
5	532 40 30-88	Spindle Asm., RH
6	532 12 49-31	Bearing, Race Thrust Harden
7	532 12 17-48	Washer 25/32 x 1-5/8 x 16 Ga.
8	812 00 00-29	Ring, Klip #T5304-75
9	532 12 12-32	Cap, Spindle
13	532 12 17-49	Washer 25/32 x 1-1/4 x 16 Ga.
14	810 04 06-00	Washer, Lock Hvy Hlcl Spr 3/8
15	873 54 06-00	Nut, Crown Lock 3/8-24 unf
16	532 42 93-73	Shaft Steering
19	532 19 47-29	Plate Steering
20	532 40 97-63	Steering Boot
21	532 18 67-37	Adapter, Wheel Steering
22	532 42 05-37	Strg. Supt. Lower
26	532 42 41-47	Insert, Wheel Steering
28	817 00 06-12	Screw 3/8-16 x 3/4
33	810 04 05-00	Washer Lock 5/16
35	532 19 47-32	Gear, Sector Plate
45	819 11 38-12	Washer 9/16 ID x 2-3/8 OD 12 Ga.
53	532 18 89-67	WasherHardened.793x1.637x.060
57	532 40 74-65	Bracket Upstop
58	532 19 47-47	Bolt Shoulder Sector Pivot CFM
59	532 19 47-48	Washer Thrust Sector Steering
60	873 97 10-00	Nut Flange Lock 5/8-11
61	532 19 47-40	Draglink LH
62	532 19 47-41	Draglink, RH
63	817 00 05-12	Screw 5/16-18 x 3/4
64	532 19 98-49	Retainer Clip Spring Steering
66	871 02 07-48	Bolt Hex Fghd 7/16-14 x 3 Serr
67	532 19 47-37	Bushing PM Front Axle
68	873 90 07-00	Nut Lock Flange 7/16-14 Gr. 5
69	532 19 91-62	Washer 1.5 x .505 x .118
70	532 19 61-97	Bracket Deck Susp. Front
71	532 19 07-52	Shaft Extension
72	532 42 89-82	Bolt 5/16-18 x 4
118	532 40 60-13	Bushing
122	532 44 49-62	Cap Gear Sector

**NOTE:** All component dimensions given in U.S. inches  
1 inch = 25.4 mm

TRACTOR - MODEL NO. LT2316CM (96051000401), PROD. NO. 960 51 00-04  
MOWER DECK 44



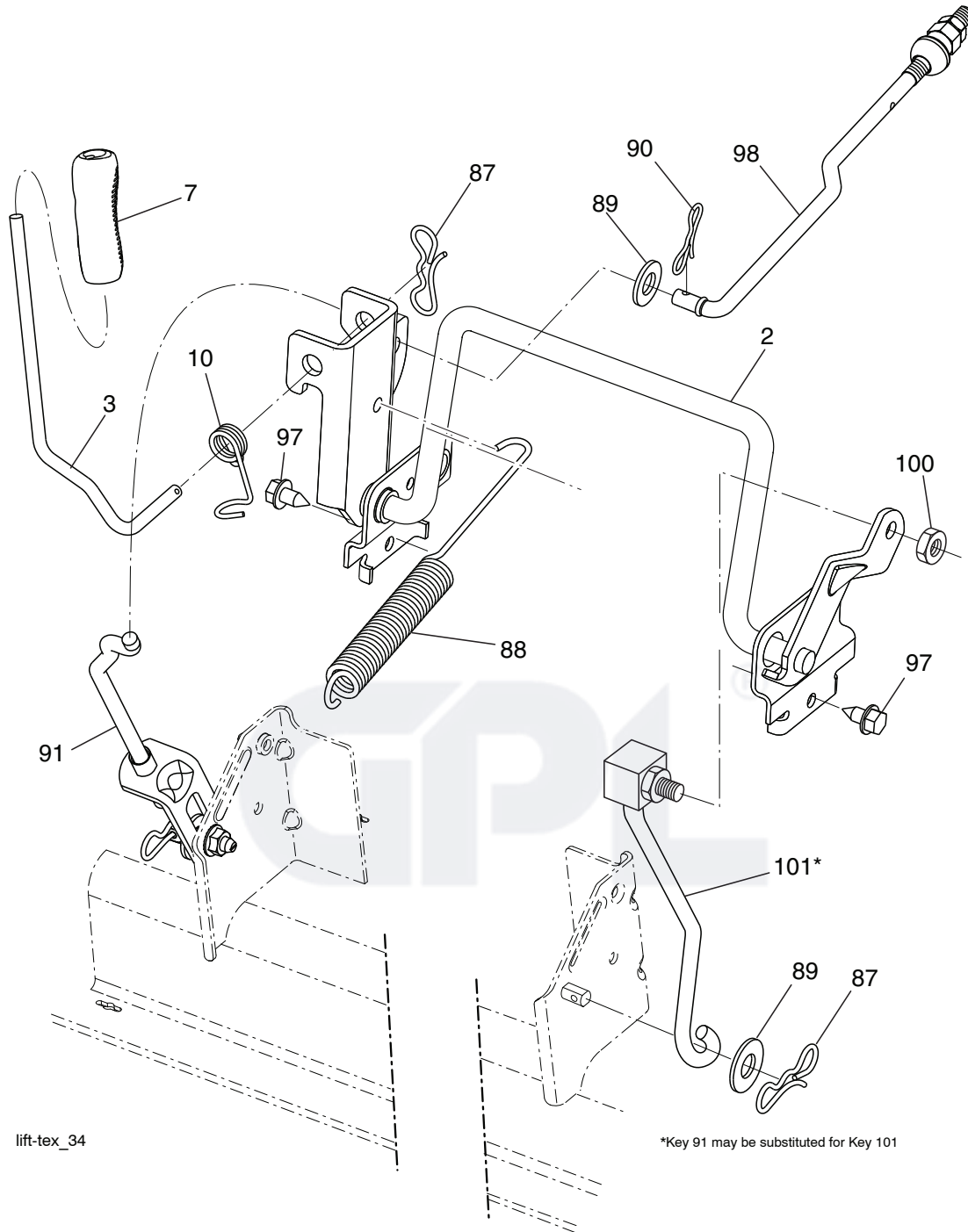
tex-deck\_CRD\_2

**TRACTOR - MODEL NO. LT2316CM (96051000401), PROD. NO. 960 51 00-04  
MOWER DECK 44**

KEY NO.	PART NO.	DESCRIPTION	KEY NO.	PART NO.	DESCRIPTION
1	532 43 69-70	Deck Weldment	98	532 19 51-61	Stud Fastener
3	873 90 05-00	Nut Lock Hex Flange 5/16 - 18	99	532 19 51-86	Arm Suspension Mower Rear
5	817 00 05-10	Bolt 5/16-18	100	532 19 65-39	Bolt Shoulder
7	532 41 63-58	Screw #10 x 0.750 BOS Thread	101	873 68 09-00	Nut Crownlock 9/16 - 18 unc
10	817 00 06-16	Screw 3/8-16x1 smgml tap	102	532 40 25-11	Spacer Bearing Swing Plate
11	532 13 77-29	Screw Thd Roll 1/4 - 20 X 5/8	103	532 43 69-92	Guard Front Vent
13	872 11 06-12	Bolt Carr Sh 3/8 - 16 X 1 - 1/2 Gr. 5	104	532 44 14-78	Mandrel Cover RH
14	532 15 60-85	Keeper Belt Idler	105	532 44 14-79	Mandrel Cover LH
16	873 90 06-00	Nut Lock FIG 3/8 - 16 unc	106	532 19 32-16	Spring Brake Return
17	532 40 02-34	Nut Flange Lock Top	110	532 41 53-56	Gear Output
18	532 18 76-90	Washer Spacer Mandrel	111	532 43 69-79	Gasket Gearcase
19	532 11 04-85	Bearing Ball Mandrel	112	532 44 38-52	Shaft Gearcase
20	532 17 39-84	Screw Thread Roll	113	532 43 85-33	Plug Oil
23	817 49 06-28	Screw Thdrol 3/8 - 16 X 1-3/4	114	532 43 85-34	Valve Relief
27	532 43 97-26	V-Belt Drive	115	818 03 10-16	Screw Torx #10-24 x 1
32	532 40 18-72	Spring Return Deck	116	872 11 04-14	Bolt 1/4-20 x 1.75 Gr. 5
33	532 18 72-81	Housing Mandrel 4pt Service	117	873 90 04-00	Nut Hex Flange 1/4-20 unc
34	532 19 28-72	Shaft Asm Mndrl N/Greaseable38	118	532 43 69-89	Arm Clutching
35	532 42 79-84	Blade Mower LH	119	532 43 81-66	Gearcase Subasm
36	532 19 30-03	Bolt/Washer Asm 7/16 - 20 unf	120	532 43 69-91	Keeper Belt RH
37	819 13 13-16	Washer 13/32 x 13/16 x 16 Ga.	121	532 43 69-85	Washer
40	532 19 72-58	Keeper Belt Engine LH	124	532 43 69-86	Non Greasable Mandrel Shaft
42	817 00 05-12	Screw 5/16-18 x 3/4	125	532 44 04-20	Bracket Idler Chasses
43	532 19 74-73	Pulley Mandrel	127	532 19 34-06	Bolt Shoulder 3/8-16 x 3-5/8 Gr. 5
45	532 13 71-52	Housing Mandrel	128	532 17 48-73	Wheel Guage
67	532 40 30-12	Handle Clutch Cable	129	532 40 48-51	Rod Anti-Sway
70	532 40 12-46	Clutch Asm Manual LT Pred	130	819 13 13-12	Washer 13/32 x 13/16 x 12 Ga.
71	817 67 06-08	Screw Thdrol 3/8-16 x 1/2	131	532 19 42-08	Pin Cotter 5/16 Bow Tie Lock
72	532 43 66-58	Chute Upper	132	532 17 88-99	Knob Handle
75	532 13 14-94	Pulley Idler Flat	152	532 44 04-88	Cable Clutch Manual w/Spring
76	532 41 55-98	Washout Port	--	532 19 28-70	Mandrel Assembly (Includes Housing, Shaft Assembly, And Bearing Only - Pulley/Nut/Washer And Blade Bolt/Washers Not Included)
84	532 43 25-20	Keeper Belt LH Mandrel	--	532 44 09-28	Replacement Mower Complete
85	532 42 79-85	Blade Mower RH			
86	532 18 17-13	Bolt 3/8-24 x 1.50 Gr. 8			
87	810 03 06-00	Washer Lock Hvy 3/8			
88	532 14 02-96	Washer Hard Blade Mower Vented			
89	532 43 81-24	Arm Brake 97 LH			
90	532 19 90-92	Spacer Retainer			
91	819 13 20-12	Washer 13/32 x 1-1/4 x 12 Ga.			
92	532 43 69-93	Rod Brake			
93	532 43 81-25	Arm Brake RH			
94	532 19 72-50	Bracket Clutch Cable			
95	817 00 06-12	Screw 3/8-16 x 3/4			
96	532 40 02-71	Spacer			
97	532 18 20-61	Shield Idler Mower			

**NOTE:** All component dimensions given in U.S. inches  
1 inch = 25.4 mm

**TRACTOR - MODEL NO. LT2316CM (96051000401), PROD. NO. 960 51 00-04**  
**MOWER LIFT 45**

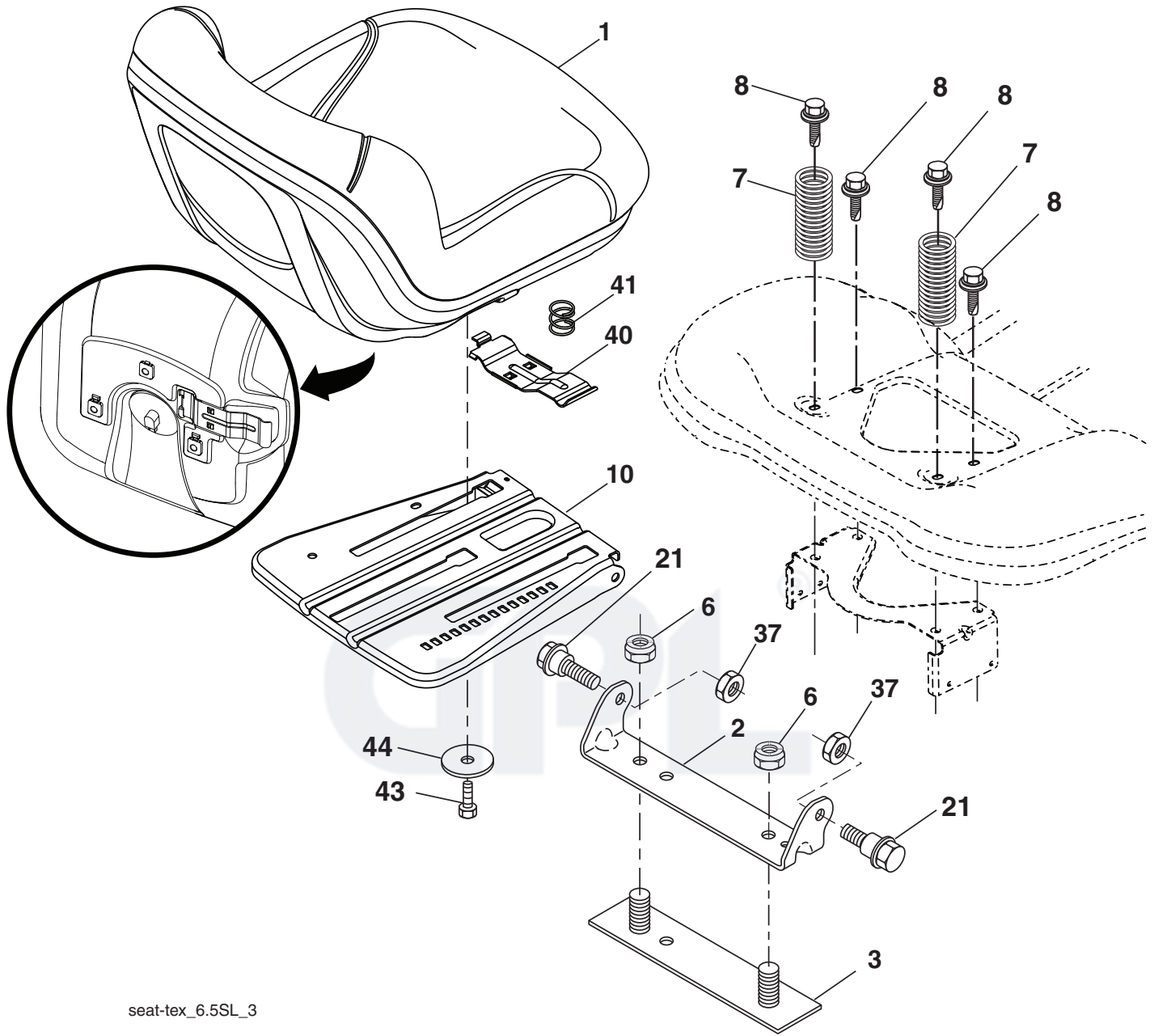


KEY NO.	PART NO.	DESCRIPTION
2	532 43 69-96	Shaft Asm., Lift
3	532 19 52-31	Lever Asm., Lift RH
7	532 41 15-55	Grip, Lever
10	532 19 63-14	Spring Torsion
87	532 19 42-09	Pin Cotter 7/16 Bow Tie Lock
88	532 43 69-95	Spring Lift Assist
89	819 19 19-12	Washer Clear Zinc
90	532 19 42-08	Pin Cotter 5/16 Bow Tie Lock

KEY NO.	PART NO.	DESCRIPTION
91	532 19 51-81	Link Lift Susp Mower Rear
97	817 49 06-08	Screw 3/8-16 x 1/2
98	532 19 52-70	Link Lift Susp. Front Mower
100	873 93 06-00	Nut Centerlock 3/8-16
101	532 40 70-03	Link Asm. Lift Fxd

**NOTE:** All component dimensions given in U.S. inches  
 1 inch = 25.4 mm

**TRACTOR - MODEL NO. LT2316CM (96051000401), PROD. NO. 960 51 00-04**  
**SEAT ASSEMBLY 42**



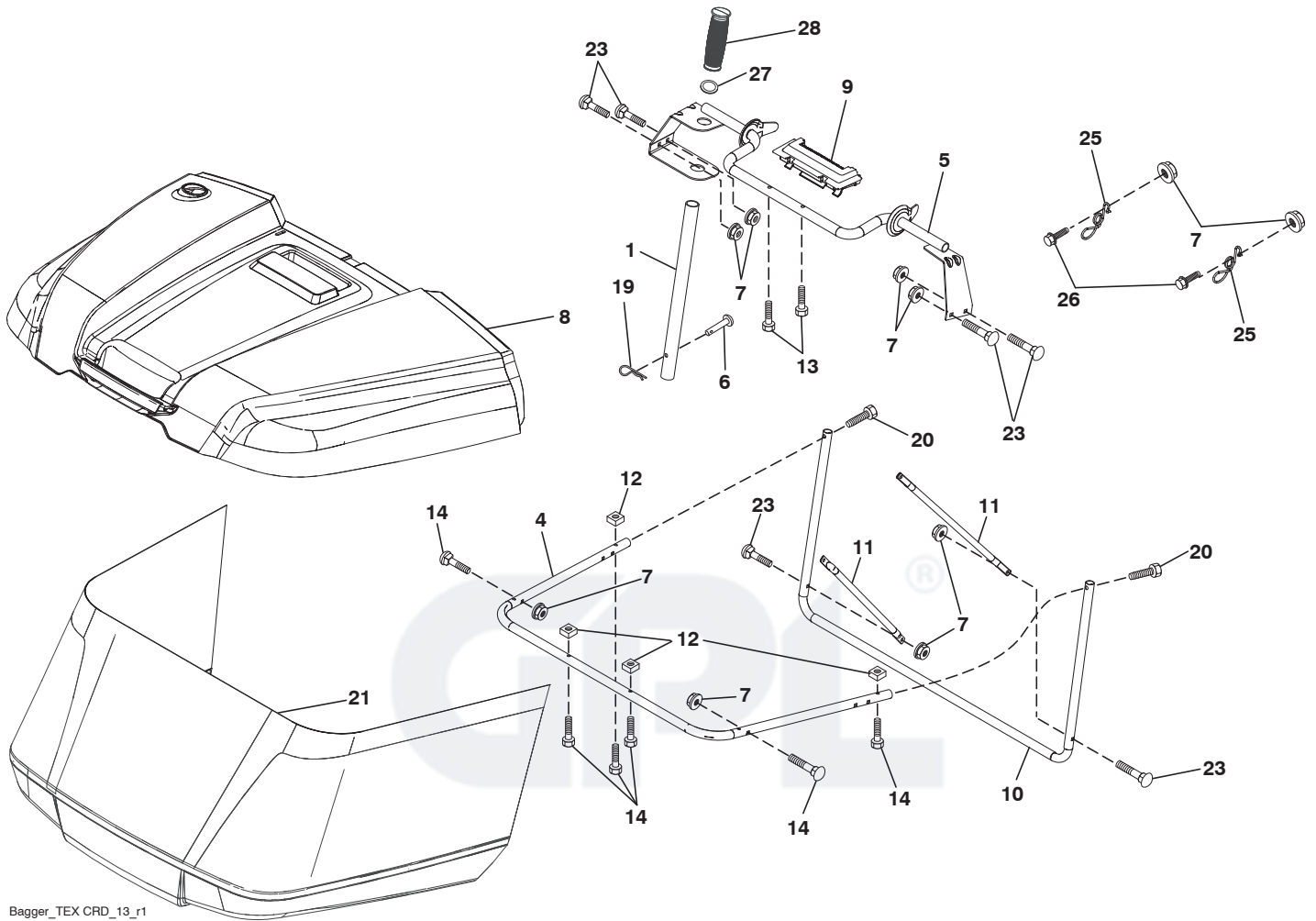
seat-tex\_6.5SL\_3

KEY NO.	PART NO.	DESCRIPTION
1	532 41 14-05	Seat
2	532 18 01-66	Bracket Pivot Fender
3	532 14 06-75	Strap, Asm Fender
6	873 80 06-00	Nut, Lock w/Ins. 3/8-16 unc
7	532 12 41-81	Spring, Seat Cprsn
8	532 17 18-77	Bolt 5/16-18 unc x 3/4 w/Sems
10	532 19 69-77	Pan, Seat
21	532 17 18-52	Bolt, Shoulder 5/16-18

KEY NO.	PART NO.	DESCRIPTION
37	873 80 05-00	Nut, Lock 5/16-18 unc
40	532 42 59-19	Handle Slide Seat
41	532 19 82-00	Spring Latch Seat
43	874 76 06-12	Bolt Fin Hex 3/8-16 unc x 3/4
44	819 13 38-12	Washer 13/32 x 2-3/8 x 12 Ga.

**NOTE:** All component dimensions given in U.S. inches  
 1 inch = 25.4 mm

TRACTOR - MODEL NO. LT2316CM (96051000401), PROD. NO. 960 51 00-04  
BAGGER **46**



Bagger\_TEX CRD\_13\_r1

**TRACTOR - MODEL NO. LT2316CM (96051000401), PROD. NO. 960 51 00-04  
BAGGER 46**

<b>KEY NO.</b>	<b>PART NO.</b>	<b>DESCRIPTION</b>
1	532 42 86-10	Tube Handle Bagger
4	532 43 96-12	Frame Asm Bagger Top
5	532 41 76-32	Frame Asm Top Bagger
6	532 12 68-75	Rivet Drilled
7	873 90 04-00	Nut Hex Flange 1/4-20 unc
8	532 42 59-54	Cover Bagger
9	532 41 76-29	Insert Handle Bagger
10	532 43 67-70	Frame Front
11	532 43 67-71	Tubing Brace Bagger
12	532 42 17-93	Nut Square 1/4
13	532 42 17-80	Screw 1/4 x 1.150
14	532 42 18-00	Bolt Shoulder 1/2 x 1.150
19	532 19 42-08	Cotter Pin 5/16 Bow Tie
20	585 36 88-01	Screw Hex Cap 1/4-20 x 1.375
21	532 44 83-07	Bag Asm
23	872 04 04-10	Bolt Carr. 1/4-20
25	532 42 16-14	Spring Latch Bagger
26	817 49 04-12	Screw Hexwsh Thdrol 1/4-20 unc
27	532 42 12-62	Grommet Rubber
28	532 16 57-87	Grip Handle Black

**NOTE:** All component dimensions given in U.S. inches  
1 inch = 25.4 mm

