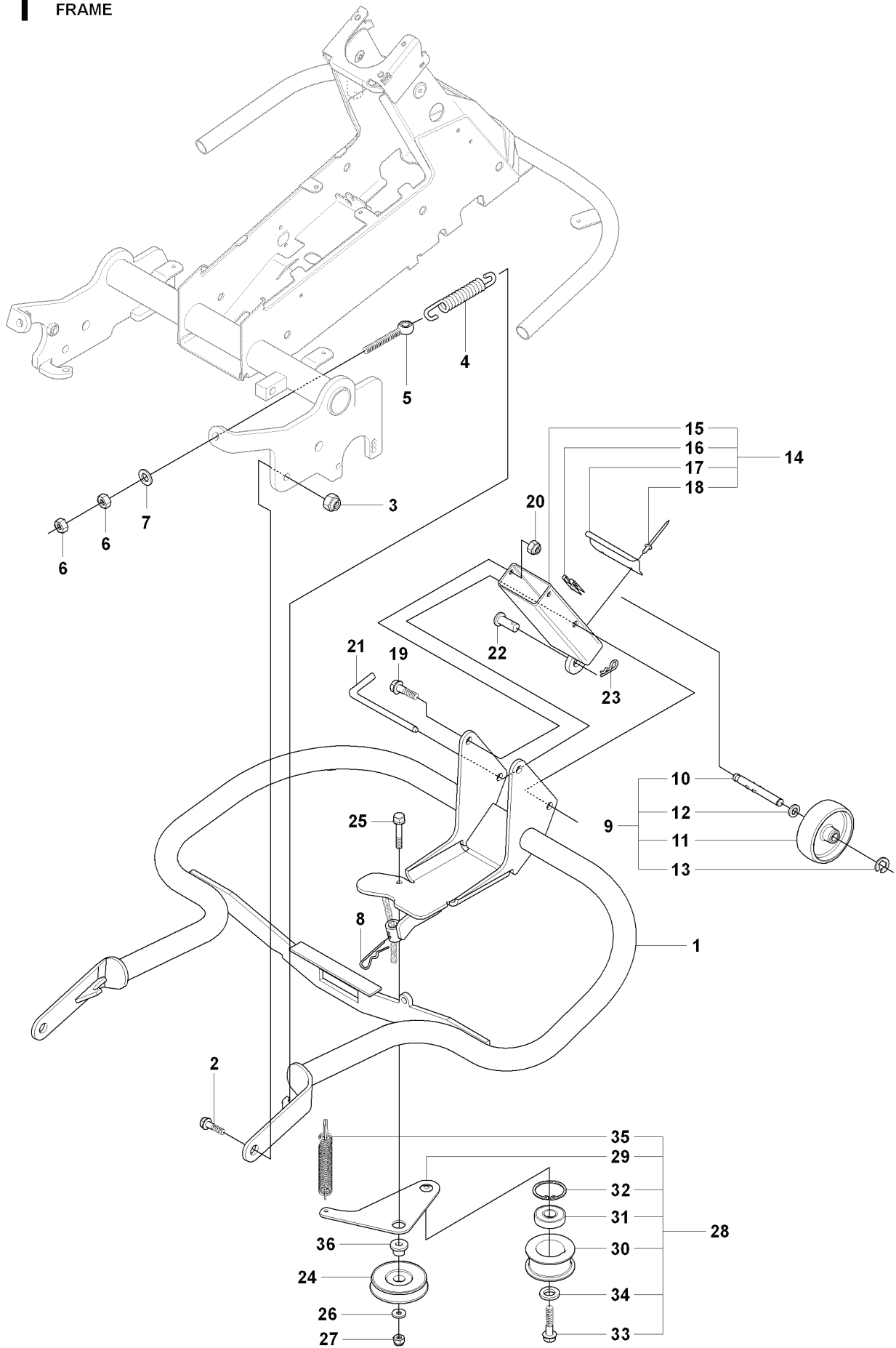


RIDER 175 AWD, 965105001, 2009-04

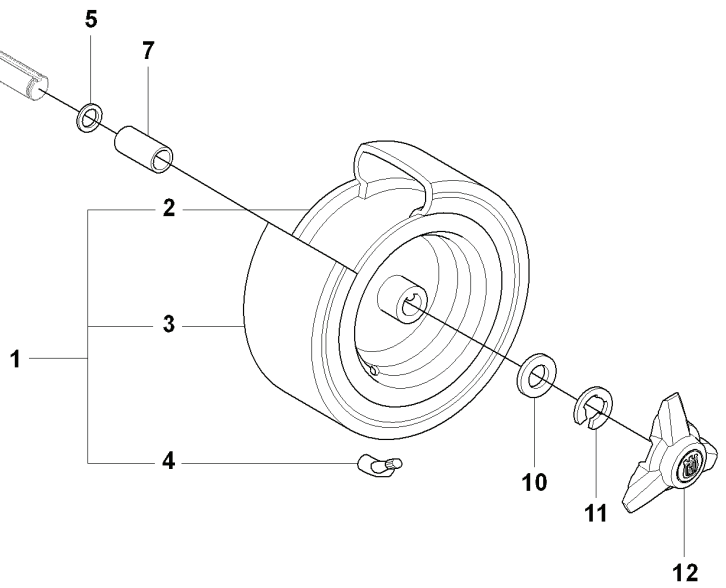
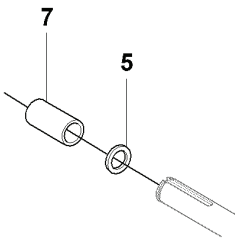
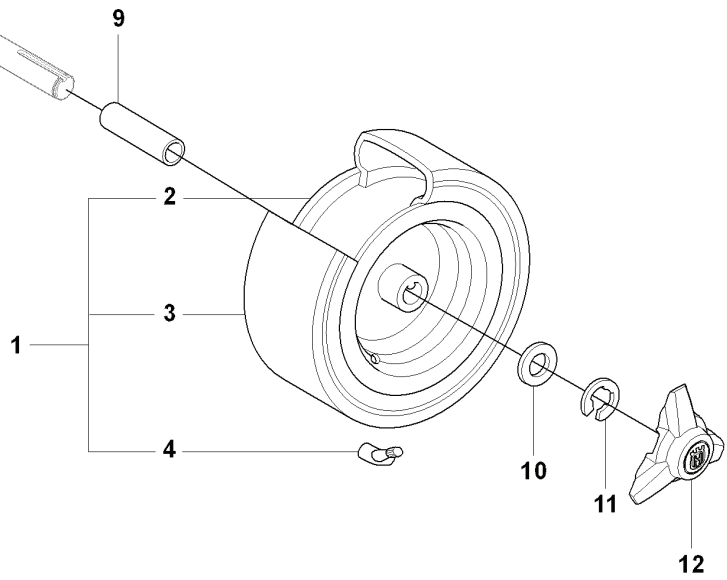
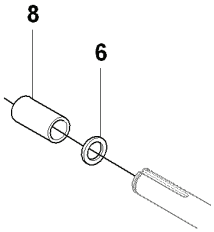
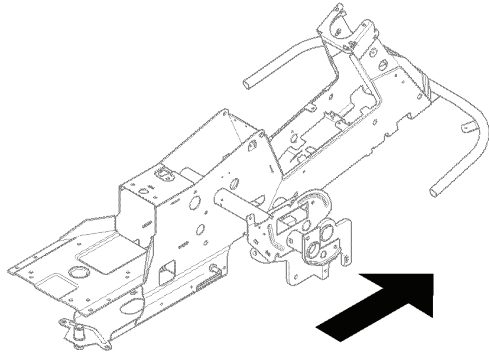
SPARE PARTS LIST

T RIDER R175AWD
FRAME



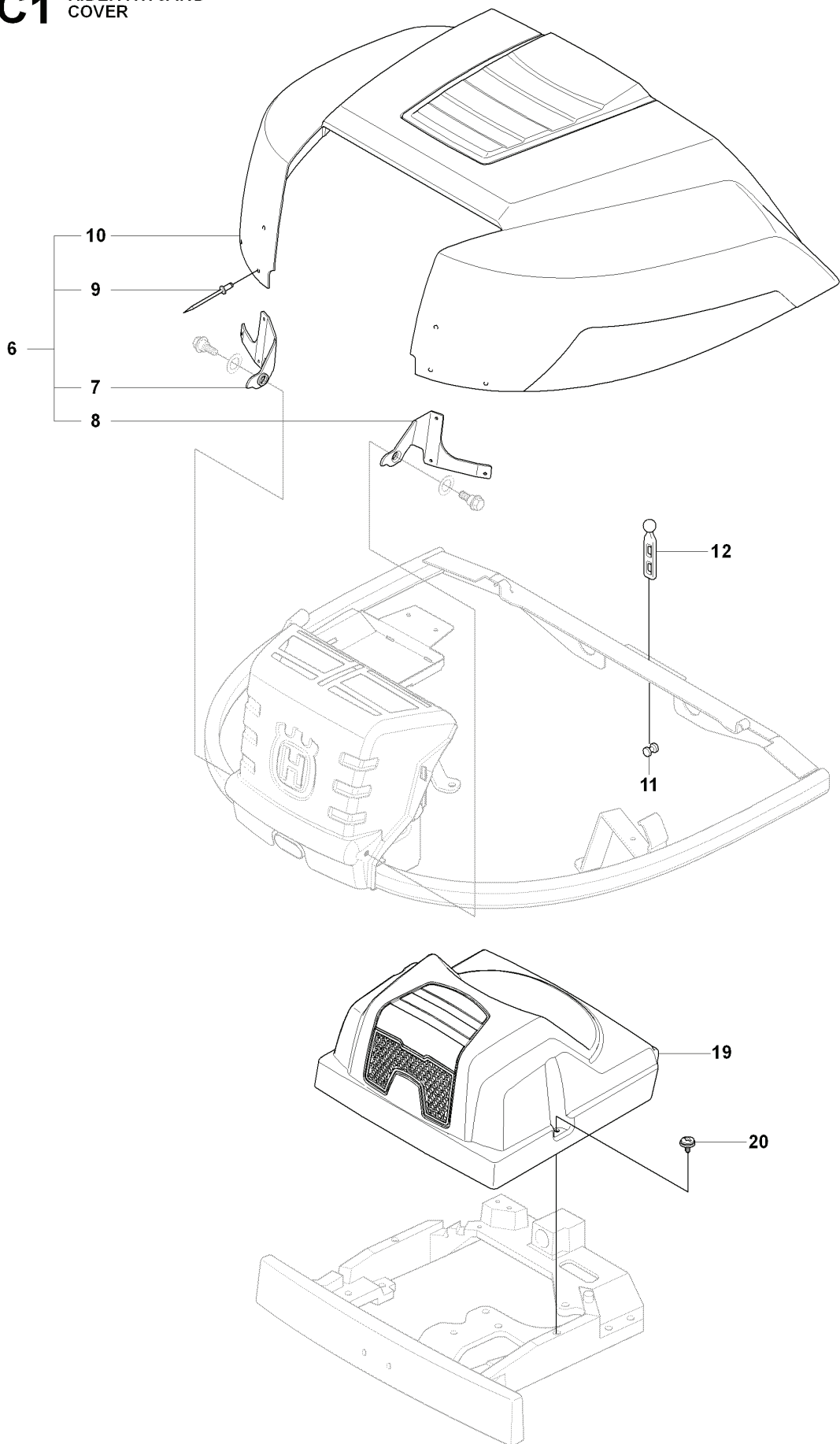
REF.	PART NO.	DESCRIPTION	REMARK	QTY.	KIT
1	535490102	FRAME	Expired	1	
2	506895801	COLLAR SCREW		2	
3	732252201	HEXAGON LOCKING NUT		2	
4	506837601	SPRING		2	
5	506837701	RING BOLT	Replaced: 7312320-01	2	
6	731232051	HEXAGON NUT		4	
7	734117201	WASHER		2	
8	506966601	HAIR PIN COTTER	Expired	1	
9	506981401	WHEEL ASSY		2	
10	506980001	SHAFT		1	
11	506979601	WHEEL		1	
12	734117771	WASHER		1	
13	735311520	E-CLIP	Expired	1	
14	506997801	LINK ASSY		1	
15	506997901	LINK ASSY		1	
16	506963701	LÅSDON		1	
17	506982801	BRACKET		1	
18	722783902	BLIND RIVET		2	
19	506597401	SCREW EHHFM		2	
20	732211801	LOCK NUT		2	
21	506974601	PEN		1	
22	721861701	CLEVIS PIN		1	
23	721680251	SPRING COTTER		1	
24	506974801	PULLEY		1	
25	725246151	SCREW EHHM		1	
26	734116441	WASHER		1	
27	732211801	LOCK NUT	Expired	1	
28	535493601	BELT TENSIONER ASSY	Expired	1	
29	535493701	SPÄNNARM	Replaced: 5051539-01	1	
30	506928901	PULLEY		1	
31	738210404	BALL BEARING		1	
32	735313810	CIRCLIP		1	
33	506558302	SCREW EHHFT		1	
34	734116441	WASHER	Replaced: 5940206-01	1	
35	506976801	SPRING		1	
36	544007401	BUSHING		1	

R RIDER R175AWD
WHEELS & TIRES



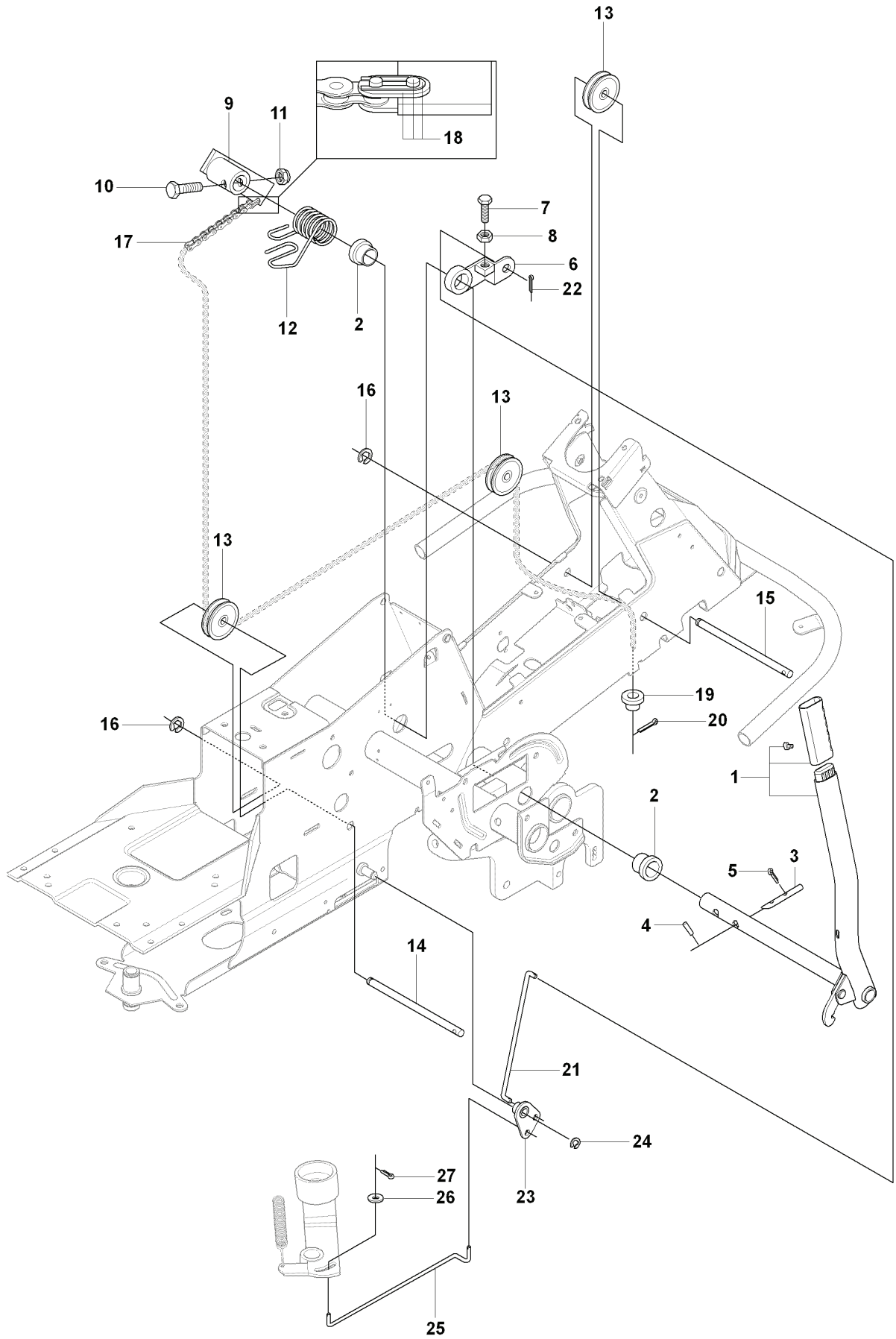
REF.	PART NO.	DESCRIPTION	REMARK	QTY.	KIT
1	544126301	WHEEL	Replaced: 5230126-02	4	
2	544114201	RIM	Replaced: 5230348-01	1	
3	535460001	TYRE		1	
4	506574301	VALVE ASSY		1	
5	506504803	WASHER		2	
6	506945801	WASHER		1	
7	506596203	SPACING SLEEVE		2	
8	544132601	SLEEVE		1	
9	544132602	SLEEVE		1	
10	506504805	WASHER		4	
11	506899001	E-CLIP		4	
12	544353501	HUB CAP		4	

C1 RIDER R175AWD COVER



REF.	PART NO.	DESCRIPTION	REMARK	QTY.	KIT
6	544245002	ENGINE HOOD ASSY		1	
7	544245101	HINGE		1	
8	544245102	HINGE		1	
9	722795402	RIVET		6	
10	544245002	ENGINE HOOD ASSY		1	
11	506599501	BUTTON		1	
12	506599601	GUMMISTROPP	Replaced: 5748561-01	1	
19	544373901	COVER		1	
20	544400501	SCREW		2	

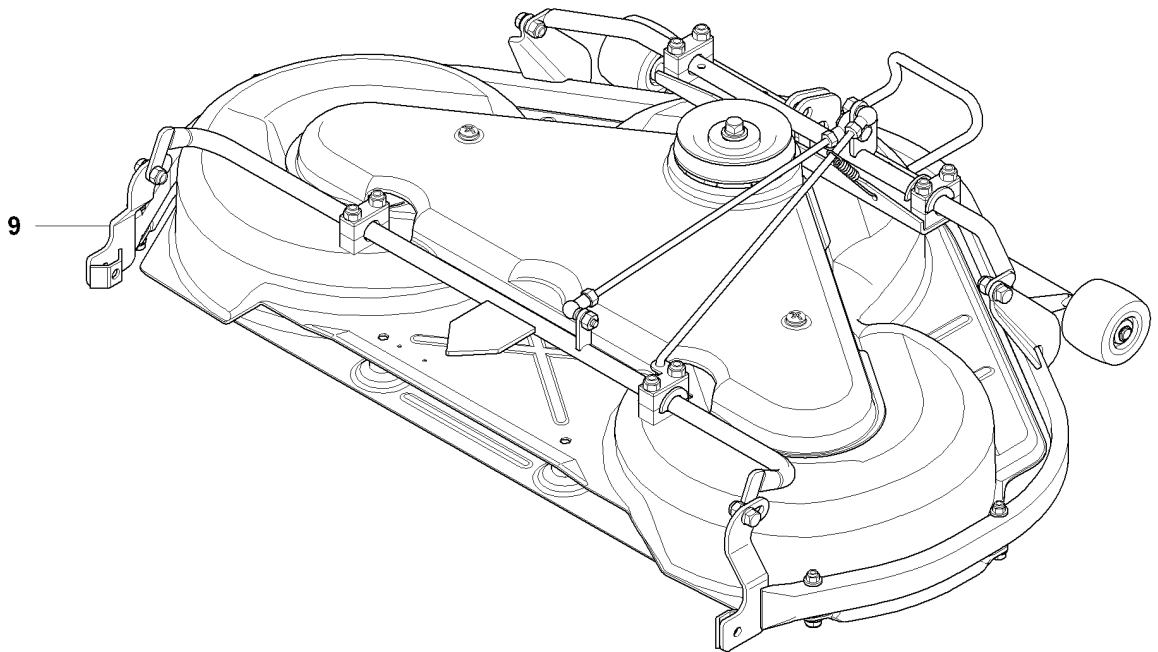
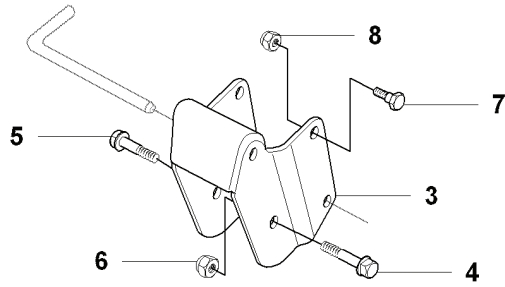
E RIDER R175AWD
MOWER LIFT



REF.	PART NO.	DESCRIPTION	REMARK	QTY.	KIT
1	501018601	LIFTING LEVER ASSY	Replaced: 5010186-02	1	
2	506556501	BEARING	Replaced: 5848713-01	2	
3	506905301	PEN	Replaced: 5254066-01	1	
4	721125930	GROOVED PIN		1	
5	721618301	SPLIT PIN		1	
6	506784301	LINK ASSY		1	
7	725249751	SCREW	Replaced: 7312320-01	1	
8	731232051	HEXAGON NUT	Expired	1	
9	506905401	LIFTING ARM		1	
10	725254251	SCREW EHHM		1	
11	732252201	HEXAGON LOCKING NUT		1	
12	506916801	SPRING		1	
13	506905601	OFFSET PULLEY	Replaced: 5828719-01	2	
14	506905701	SHAFT	Replaced: 5828719-02	1	
15	506905702	SHAFT		1	
16	735311820	E-CLIP		2	
17	506554607	CHAIN		1	
18	506554701	LINKAGE	Expired	1	
19	506905901	CHAIN STOP		1	
20	721618701	SPLIT PIN		1	
21	544456901	CONNECTION ROD		1	
22	721618301	SPLIT PIN		1	
23	544378601	LINK		1	
24	735311420	E-CLIP		1	
25	544448801	CONNECTION ROD		1	
26	734116441	WASHER		1	
27	721618301	SPLIT PIN		1	



MOWER DECK, Combi 112



2

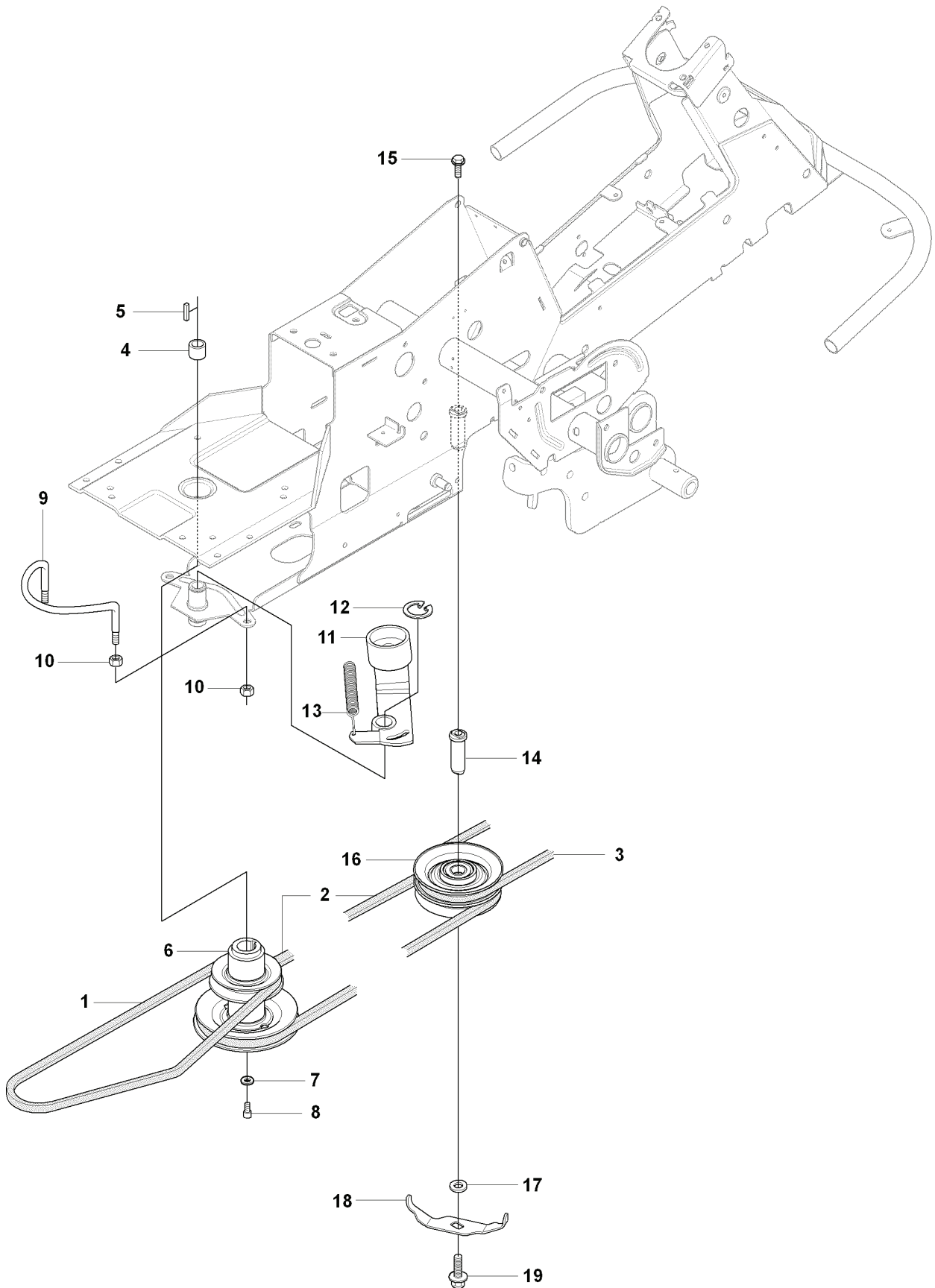


1



REF.	PART NO.	DESCRIPTION	REMARK	QTY.	KIT
1	506929001	LABEL	Expired	1	
2	535437401	LABEL WARNING		1	
3	535431301	LÄNKRÖRRSINFÄSTN.KPL		1	
4	725254251	SCREW EHHM		1	
5	725253671	SCREW EHHM		1	
6	732252201	HEXAGON LOCKING NUT		2	
7	506597401	SCREW EHHFM		2	
8	732211801	LOCK NUT		2	
9	965078501	CUTTING DECK		1	

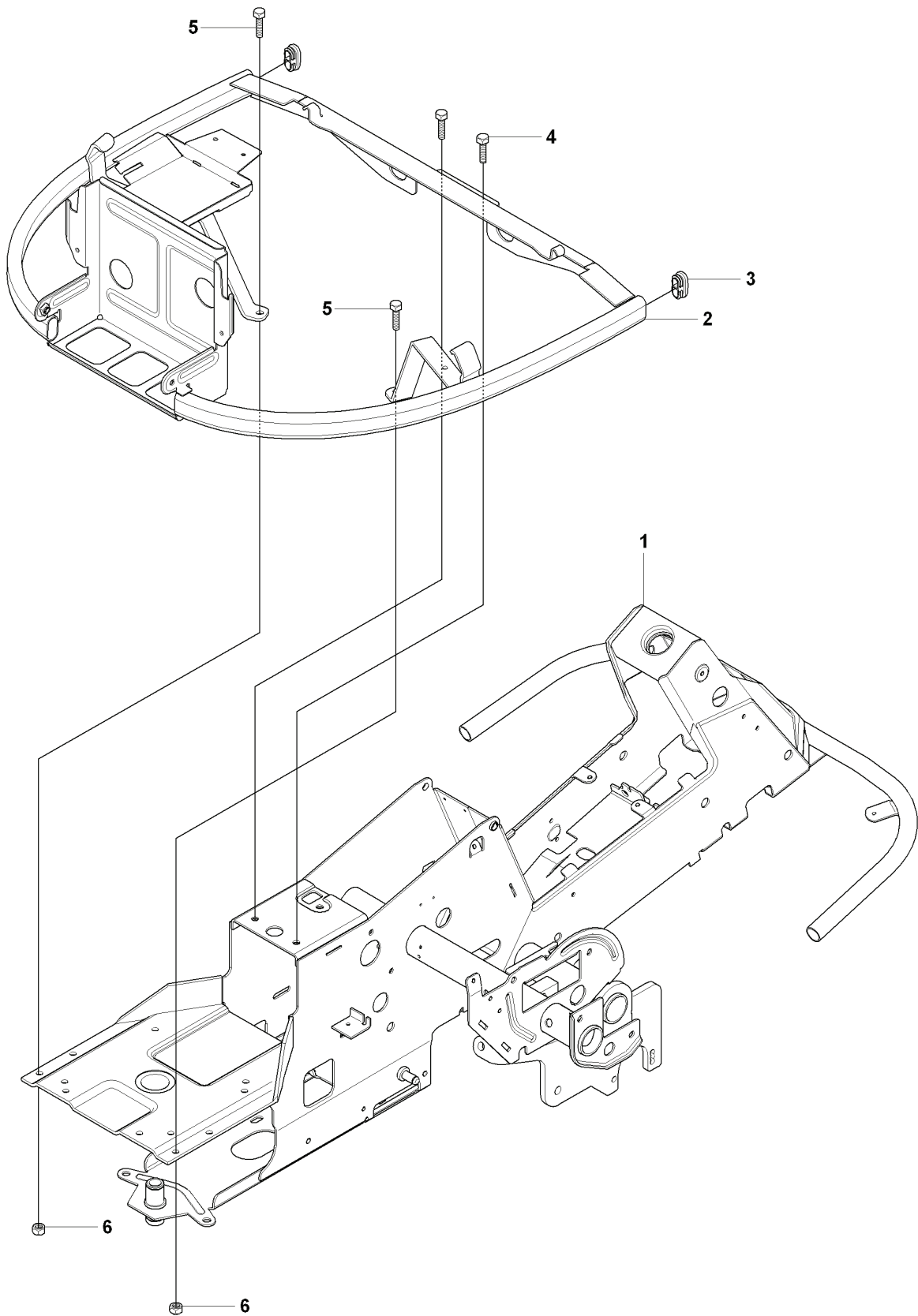
G RIDER R175AWD
TRANSMISSION



REF.	PART NO.	DESCRIPTION	REMARK	QTY.	KIT
1	589531201	BELT	Replaced: 5996759-02	1	
2	589530401	BELT		1	
3	594978001	BELT		1	
4	506509201	SPACING SLEEVE		1	
5	506555901	WEDGE		1	
6	535482401	PULLEY		1	
7	506597501	WASHER		1	
8	506556002	SCREW UNC	Replaced: 5874252-01	1	
9	506664501	BELT GUIDE	Replaced: 7312320-01	1	
10	731232051	HEXAGON NUT	Replaced: 5354844-04	4	
11	535484401	BELT TENSIONER ASSY		1	
12	735312600	CIRCLIP		1	
13	506665601	SPRING	Replaced: 5819164-01	1	
14	544426101	SHAFT		1	
15	506675402	SCREW EHHFM		1	
16	535482201	PULLEY		1	
17	506775701	WASHER		1	
18	544405301	BELT GUIDE		1	
19	506570105	SCREW EHHFM		1	

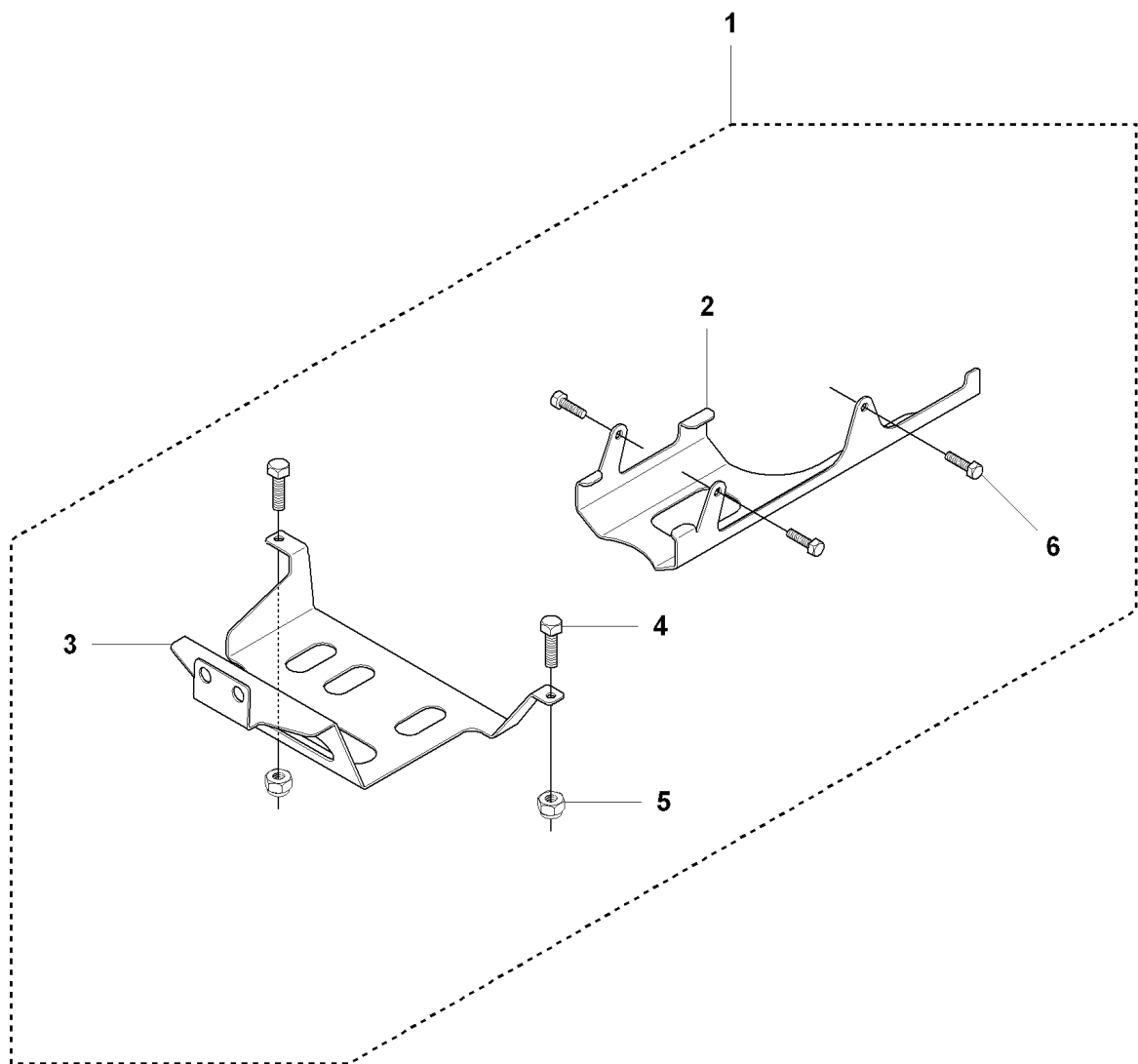
REF.	PART NO.	DESCRIPTION	REMARK	QTY.	KIT
1	544113003	CUTTING DECK	Expired	1	
2	544113101	CUTTING DECK	Expired	1	
3	506916201	NUT		3	
4	544449301	PLUG		1	
5	506570104	SCREW EHHFM	Replaced: 5763841-02	3	
6	544065901	BLADE HOUSING ASSY	Replaced: 5763843-02	2	
7	544067902	SHAFT		1	
8	738230434	BALL BEARING	Replaced: 5763844-01	2	
9	544068001	SPACING SLEEVE	Replaced: 5763842-01	1	
10	544067801	BEARING HOUSING	Replaced: 5763841-01	1	
11	544065902	BLADE HOUSING ASSY		1	
12	544067901	SHAFT		1	
13	738230434	BALL BEARING	Replaced: 5763844-01	2	
14	544068001	SPACING SLEEVE	Replaced: 5763842-01	1	
15	544067801	BEARING HOUSING		1	
16	535423801	SCREW RSQM		12	
17	734116401	WASHER		12	
18	732211801	LOCK NUT		12	
19	506922101	PULLEY		3	
20	506533501	PARALLEL KEY		7	
21	544068002	SPACING SLEEVE		1	
22	506778601	PULLEY		1	
23	734117441	WASHER		3	
24	544114101	SCREW EHHM		3	
25	535504202	ADAPTER		3	
26	504188110	BLADE	Replaced: 5881456-01	3	
27	506792301	KNIFE PLATE		3	
28	544114101	SCREW EHHM	Replaced: 5869666-01	3	
29	506540701	BELT TENSIONER ASSY	Replaced: 5869666-01	1	
30	506519501	SPÄNNARM KPL.		1	
31	506532701	PULLEY		1	
32	734116441	WASHER		1	
33	506558302	SCREW EHHFT		1	
34	506918702	WASHER		1	
35	725245171	SCREW EHHM		1	
36	732211801	LOCK NUT		1	
37	506533101	SPRING	Replaced: 5895146-01	1	
38	535411901	BELT	Replaced: 5440962-03	1	
39	544096201	BELT COVER		1	
40	506982601	SCREW		2	
41	506559701	WASHER		2	
75	506789701	LABEL		1	
76	544238105	LABEL		1	

F RIDER R175AWD
CHASSIS



REF.	PART NO.	DESCRIPTION	REMARK	QTY.	KIT
1	544842401	FRAME	Expired	1	
2	544244202	ENGINE FRAME	Expired	1	
3	544244401	PLUG		2	
4	506570103	SCREW EHHFM		2	
5	725245171	SCREW EHHM		2	
6	732211801	LOCK NUT		2	

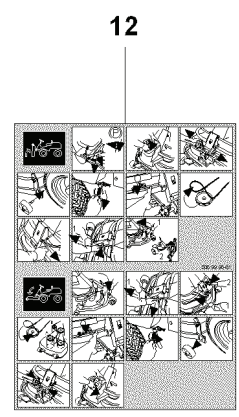
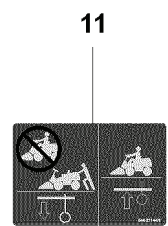
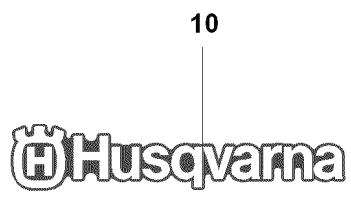
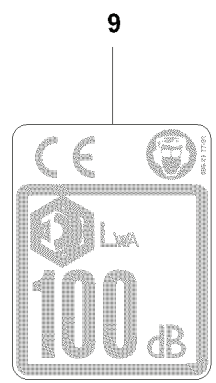
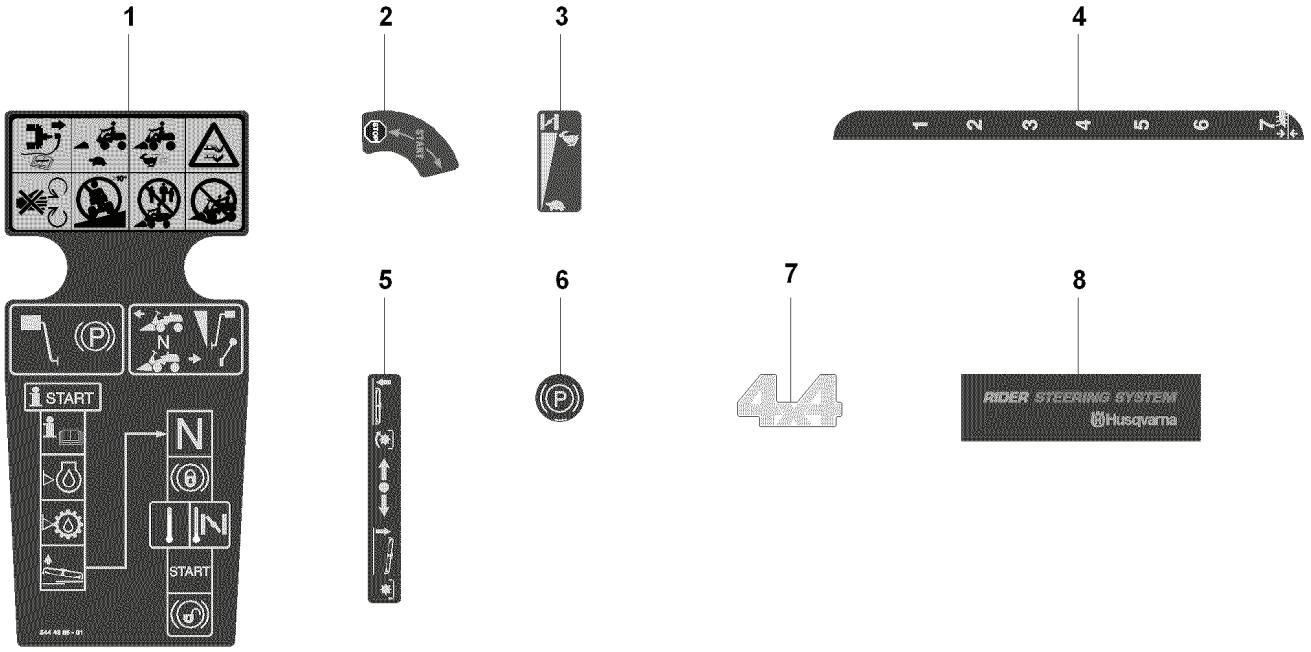
Y RIDER R175AWD
ACCESSORIES



REF.	PART NO.	DESCRIPTION	REMARK	QTY.	KIT
1	544069304	KIT		1	
2	504046201	SKID PLATE	Replaced: 5440693-04	1	
3	544143301	SKID PLATE		1	
4	725246371	SCREW EHHM		2	
5	732211801	LOCK NUT		2	
6	725244961	SCREW EHHFT		3	

REF.	PART NO.	DESCRIPTION	REMARK	QTY.	KIT
1	544116001	TRANSMISSION	Replaced: 5758703-01	1	
2	725246751	SCREW EHHM		1	
3	725246451	SCREW EHHM		1	
4	535423803	SCREW RSQM		1	
5	734116401	WASHER		3	
6	732211801	LOCK NUT	Replaced: 5440089-02	3	
7	544008901	BEARING	Replaced: 5440090-02	1	
8	544009001	BEARING HOUSING		1	
9	506570105	SCREW EHHFM		2	
10	734116401	WASHER		2	
11	732211801	LOCK NUT		2	
21	544373303	PIPE CLAMP		1	
22	535438501	COVER WASHER		1	
23	725237861	SCREW EHHFT		1	
24	544373302	PIPE CLAMP		1	
25	544373802	COVER PLATE		1	
26	506570107	SCREW EHHFM		1	
27	544811701	CAGE NUT		1	
28	535499701	ARM		1	
29	503735801	BUSHING	Replaced: 5782919-01	1	
30	544435201	LEVER		1	
31	721434701	SPRING PIN		1	
33	535492802	BRACKET	Replaced: 5939594-03	1	
34	544456703	ROD		1	
35	535486602	ROD END		1	
36	503221018	HEXAGON NUT		1	
37	535486503	ROD		1	
38	731231601	HEXAGON NUT		1	
39	535486601	ROD END		1	
40	544841701	SCREW		1	
41	725237071	SCREW EHHM		1	
42	732251601	HEXAGON LOCKING NUT	Expired	1	
43	535497401	LEVER		1	
44	506951701	ROD END		2	
45	535475212	SCREW EHHFM		2	
46	544441901	ADJUSTMENT ROD		1	
47	732251601	HEXAGON LOCKING NUT		1	
48	725249371	SCREW EHHM		2	
49	725236651	HEXAGONAL SCREW M6X12		2	
50	732211601	LOCK NUT		1	

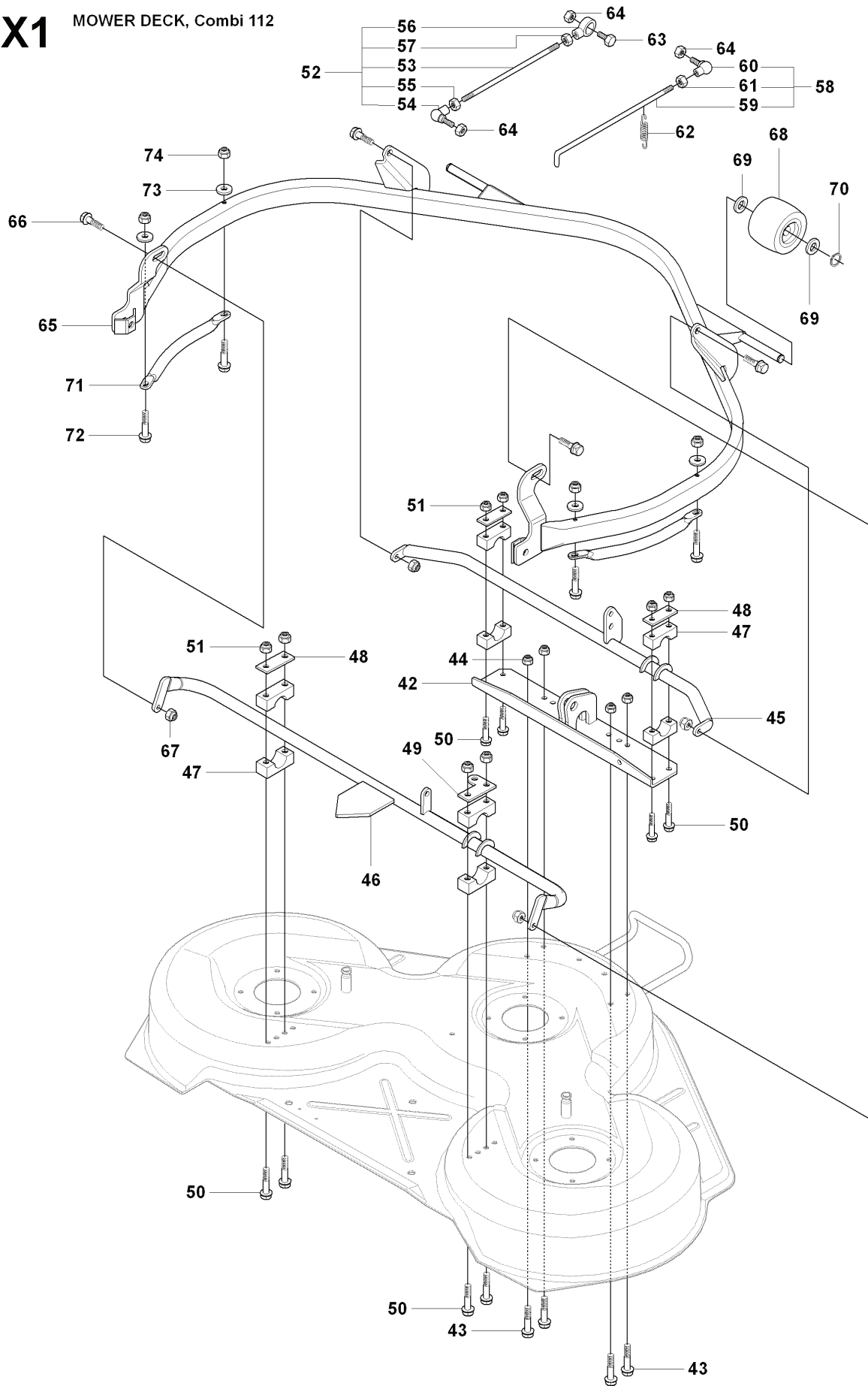
S RIDER R175AWD
DECALS



REF.	PART NO.	DESCRIPTION	REMARK	QTY.	KIT
1	544438601	LABEL	Replaced: 5842262-01	1	
2	544438701	LABEL	Expired	1	
3	544438801	LABEL	Expired	1	
4	544439002	LABEL	Expired	1	
5	544439201	LABEL		1	
6	506584501	LABEL		1	
7	544833501	LABEL		2	
8	544833601	LABEL	Replaced: 5817840-06	1	
9	505217701	LABEL		1	
10	544391102	LABEL		1	
11	544211401	LABEL	Expired	2	
12	506999601	LABEL	Expired	1	
13	544833901	LABEL	Expired	1	
14	544833902	LABEL		1	

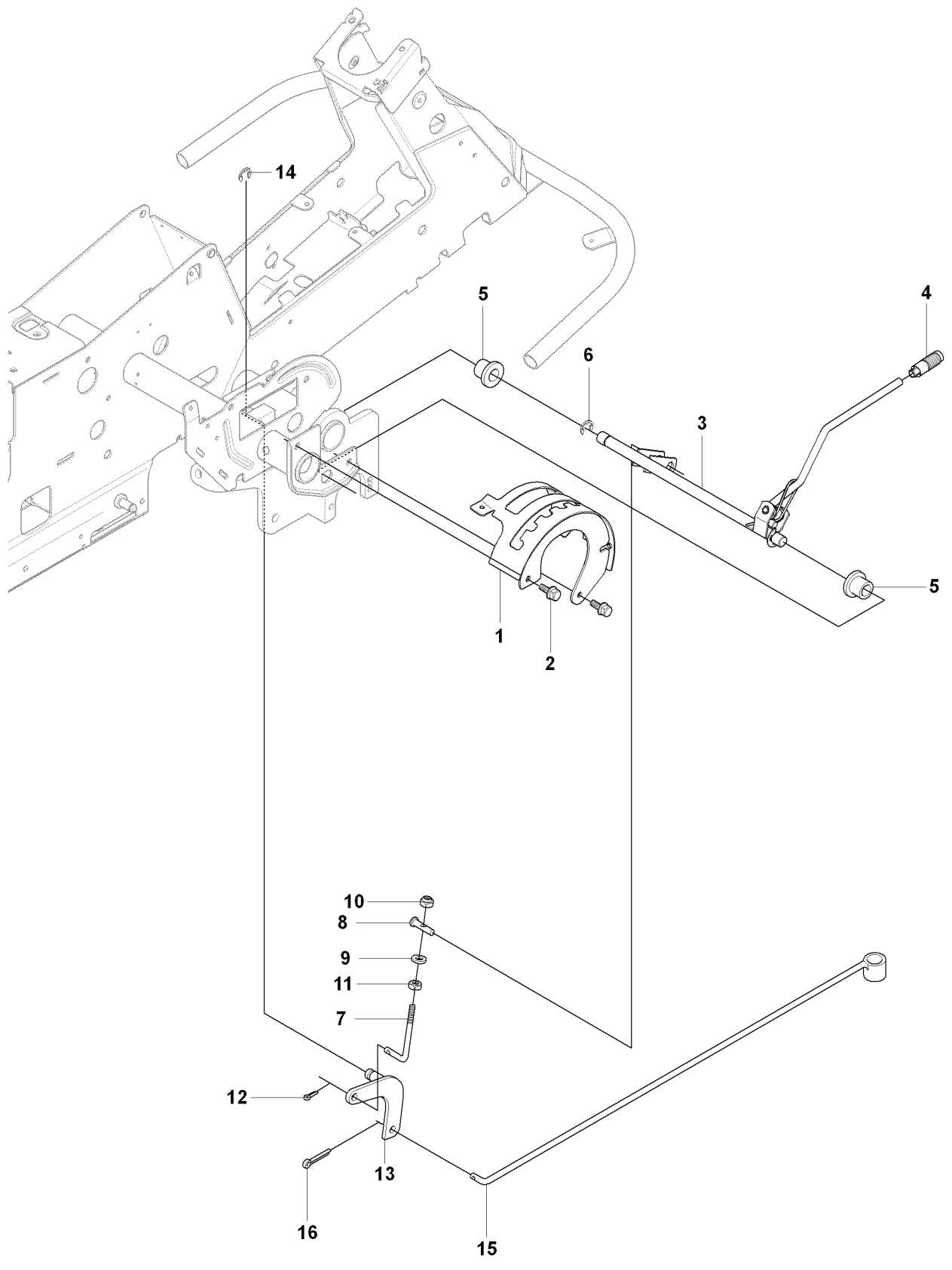
REF.	PART NO.	DESCRIPTION	REMARK	QTY.	KIT
1	544895901	FOOT PLATE		1	
2	544248401	MAT		1	
3	544895903	FOOT PLATE		1	
4	544248403	MAT		1	
5	544400501	SCREW	Replaced: 5991452-01	4	
21	544239201	COVER	Replaced: 5842601-01	1	
22	544427501	MAT		1	
23	544400501	SCREW		2	
24	544326501	COVER		1	
25	544400501	SCREW		2	
26	544433201	PROTECTIVE COVER	Expired	1	
27	535433901	COVER		1	
28	525390601	LOCK		1	
29	506963601	WASHER		1	

X1 MOWER DECK, Combi 112



REF.	PART NO.	DESCRIPTION	REMARK	QTY.	KIT
42	535423001	BRACKET	Expired	1	
43	725245171	SCREW EHHM		4	
44	732211801	LOCK NUT		4	
45	535430601	FRONT CROSS TUBE ASS	Expired	1	
46	535431201	REAR CROSS TUBES ASS		1	
47	506869601	BEARING		8	
48	506813801	REINFORCING PLATE		3	
49	506979101	SERVICEBRICKA		1	
50	725246151	SCREW EHHM		8	
51	732211801	LOCK NUT	Expired	8	
52	506933904	PARALLEL ROD ASSY		1	
53	506814906	ROD		1	
54	506789901	VINKELLÄNK DIN 71802		1	
55	506897601	NUT		1	
56	506951701	ROD END	Replaced: 7312320-01	1	
57	731232051	HEXAGON NUT		1	
58	506941206	CLUTCH ROD ASSY		1	
59	506941306	CONNECTION ROD		1	
60	506789901	VINKELLÄNK DIN 71802		1	
61	506897601	NUT		1	
62	506535603	DRAW SPRING		1	
63	725249571	SCREW EHHM	Replaced: 7322120-01	1	
64	732212051	NUT	Expired	3	
65	535412302	PROTECTIVE TUBING		1	
66	506597401	SCREW EHHFM		4	
67	732211801	LOCK NUT		4	
68	506963001	WHEEL ASSY		2	
69	535464101	WASHER		4	
70	735311700	CIRCLIP		2	
71	535476301	SIDE RAIL		2	
72	727638301	SCREW RSQM	Replaced: 5051984-01	4	
73	734115601	WASHER		4	
74	732211601	LOCK NUT		4	

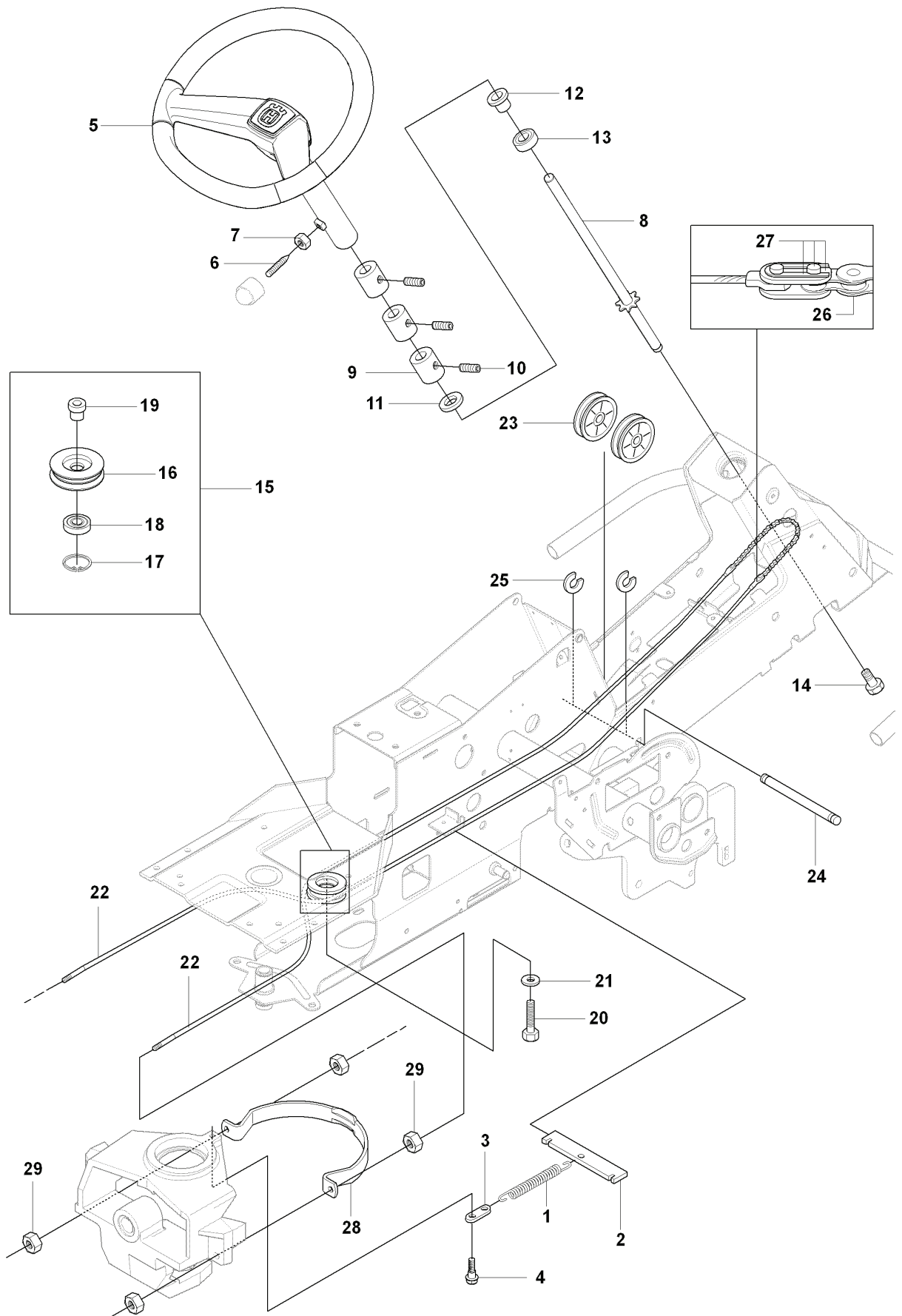
D RIDER R175AWD
HEIGHT ADJUSTMENT



REF.	PART NO.	DESCRIPTION	REMARK	QTY.	KIT
1	535501401	CONTROL PLATE		1	
2	506570103	SCREW EHHFM		2	
3	504734501	ADJUSTER		1	
4	506542001	HANDLE	Replaced: 5881641-01 Replaced: 5848713-02	1	
5	506554301	BEARING		2	
6	735312220	E-CLIP		1	
7	506908201	HEIGHT ROD		1	
8	506784601	PEN		1	
9	734117201	WASHER		1	
10	732211801	LOCK NUT		1	
11	731231801	HEXAGON NUT		1	
12	721618301	SPLIT PIN		1	
13	506998301	LINK ASSY		1	
14	735311520	E-CLIP		1	
15	506975101	CONNECTOR		1	
16	721618301	SPLIT PIN		1	

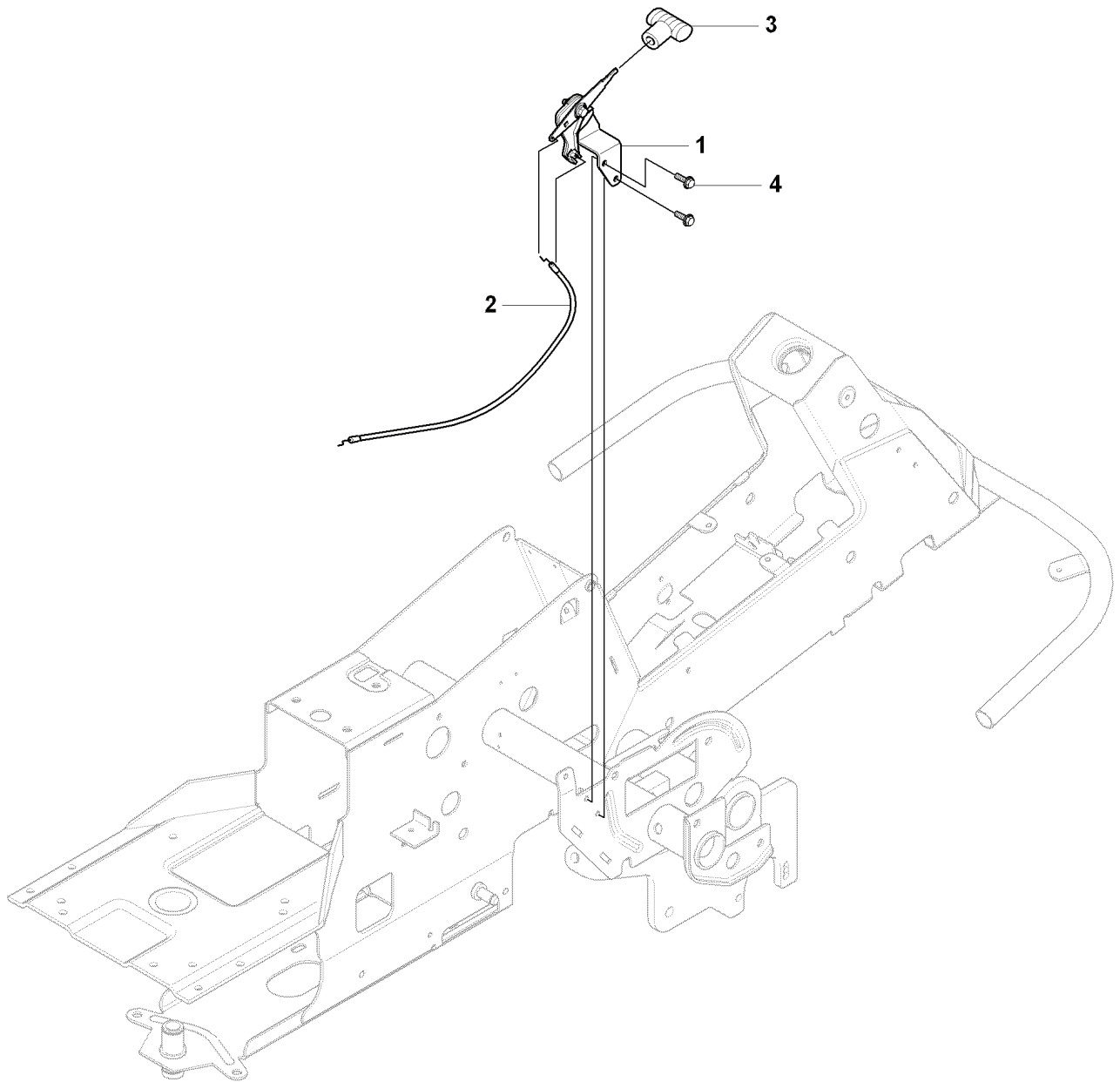
REF.	PART NO.	DESCRIPTION	REMARK	QTY.	KIT
1	506985803	SPINDLE	Expired	1	
2	738210504	BALL BEARING		1	
3	738211004	BALL BEARING		1	
4	735314010	CIRCLIP		1	
5	735312600	CIRCLIP		1	
6	506985901	SWING AXLE		1	
7	735312600	CIRCLIP		2	
8	506773401	WASHER		2	
9	740681421	V-RING		1	
10	535406001	BRACKET		1	
11	506986102	GLIDLAGER		2	
26	544262101	BRACKET		1	
27	506566501	CLIP		1	
28	725236461	SCREW EHHFT		1	
47	725250051	SCREW EHHM	Replaced: 9535349-01	2	
48	544039602	COUNTERWEIGHT		1	

M RIDER R175AWD
STEERING



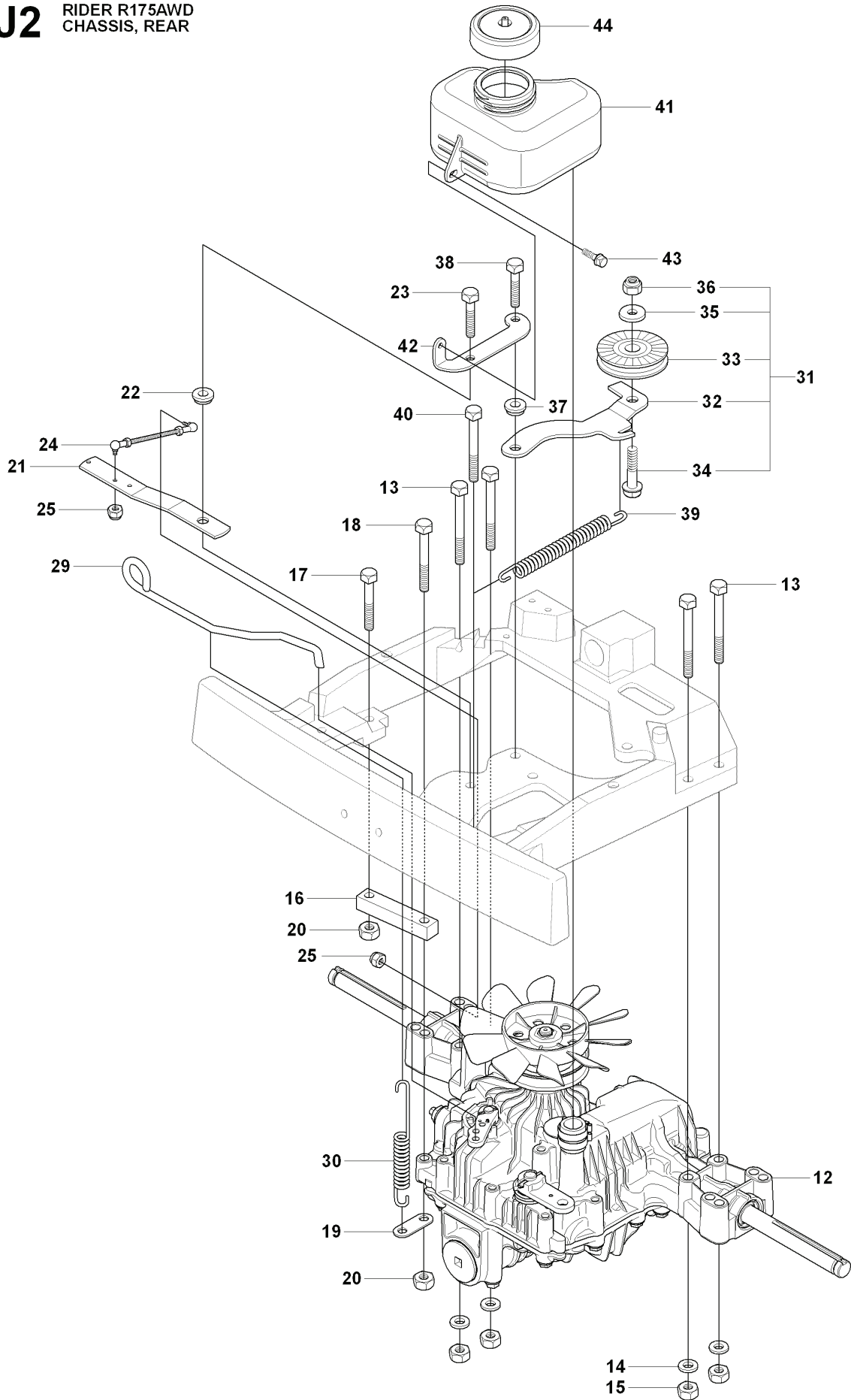
REF.	PART NO.	DESCRIPTION	REMARK	QTY.	KIT
1	506671901	SPRING	Replaced: 5907354-01	1	
2	506576301	SPRING RETAINER		1	
3	506670801	LINK		1	
4	506597401	SCREW EHHFM		1	
5	544375202	STEERING WHEEL		1	
6	728745505	SCREW IHSETM		1	
7	731231801	HEXAGON NUT	Replaced: 5756319-01	1	
8	535499501	ROD STEERING ASSY	Replaced: 5870809-01	1	
9	506863401	DRIVER		3	
10	728844305	SCREW IHSETM	Expired	3	
11	506863601	WASHER		1	
12	506887801	SPACER		1	
13	738210404	BALL BEARING		1	
14	506570104	SCREW EHHFM	Replaced: 5764925-01	1	
15	506500903	BARRING WHEEL	Replaced: 5764925-01	1	
16	535424101	BARRING WHEEL		1	
17	735314010	CIRCLIP		1	
18	738220419	BALL BEARING		1	
19	506500802	BUSHING		1	
20	506675402	SCREW EHHFM		1	
21	734117441	WASHER	Replaced: 5771999-04	1	
22	506589104	WIRE ASSY		2	
23	506522401	STARTER PULLEY	Replaced: 5065394-03	2	
24	506539402	SHAFT		1	
25	735311420	E-CLIP		2	
26	506554601	CHAIN		1	
27	506554701	LINKAGE		2	
28	544427301	WIRE GUIDE	Replaced: 7312320-01	1	
29	731232051	HEXAGON NUT		4	

N RIDER R1/5AWD
CONTROLS



REF.	PART NO.	DESCRIPTION	REMARK	QTY.	KIT
1	544301501	THROTTLE CONTROL ASSY		1	
2	544301701	WIRE		1	
3	506889101	KNOB		1	
4	725236461	SCREW EHHFT		2	

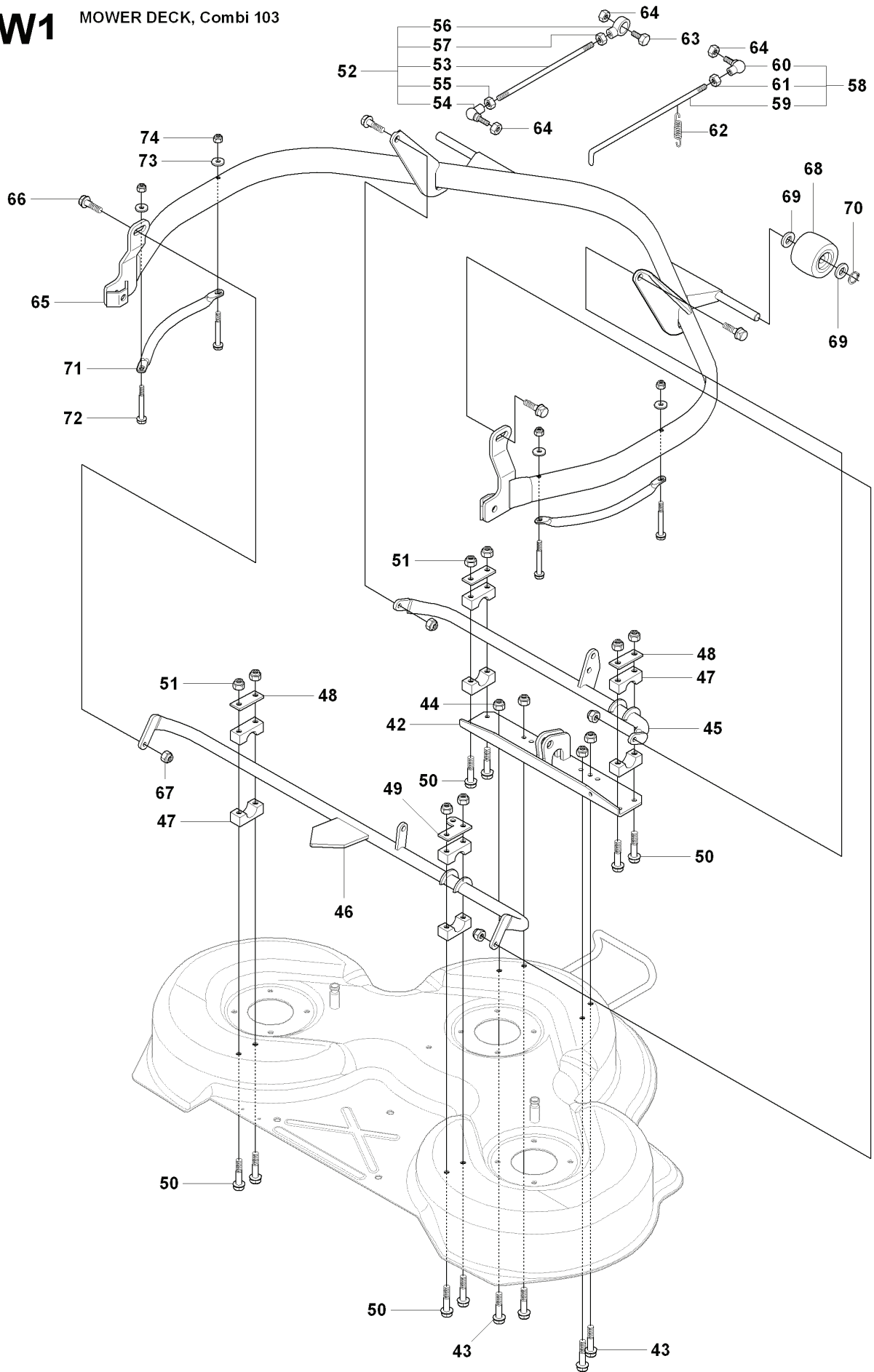
J2 RIDER R175AWD
CHASSIS, REAR



REF.	PART NO.	DESCRIPTION	REMARK	QTY.	KIT
12	544116101	TRANSMISSION	Replaced: 5907168-01	1	
13	725246751	SCREW EHHM		4	
14	734116401	WASHER		4	
15	731231801	HEXAGON NUT		4	
16	506987201	MOMENTFÄSTE		1	
17	725245951	SCREW EHHM		1	
18	725246251	SCREW EHHM		1	
19	506599301	LINK		1	
20	731231801	HEXAGON NUT	Replaced: 5818379-01	2	
21	506987403	LEVER		1	
22	506918702	WASHER		1	
23	725245151	SCREW		1	
24	506987501	ADJUSTMENT ROD		1	
25	732211401	LOCK NUT		2	
29	506988201	FRIKOPPLINGSSTÅNG		1	
30	506834301	SPRING		1	
31	506988401	BELT TENSIONER ASSY	Replaced: 5887404-01	1	
32	506988501	BELT TENSIONER		1	
33	506946901	PULLEY		1	
34	725245551	SCREW		1	
35	734116441	WASHER		1	
36	732211801	LOCK NUT		1	
37	506918702	WASHER		1	
38	725245151	SCREW	Replaced: 5949241-01	1	
39	506988601	SPRING		1	
40	725246451	SCREW EHHM	Replaced: 5441001-02	1	
41	544100101	EXPANSION TANK		1	
42	544121701	BRACKET		1	
43	725236461	SCREW EHHFT		1	
44	506673301	TANK CAP ASSY		1	
46	506889901	HITCH		1	

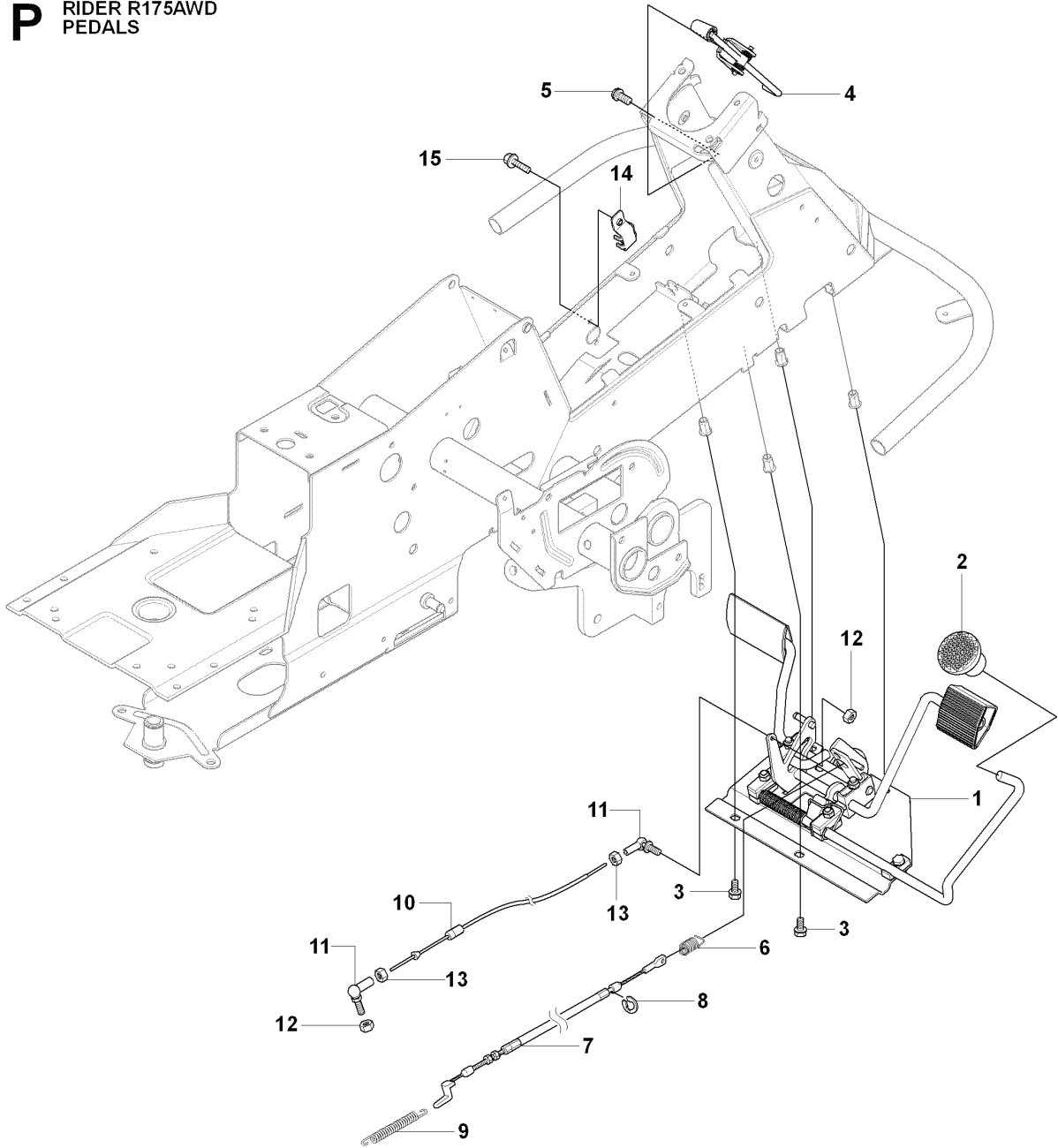
W1

MOWER DECK, Combi 103

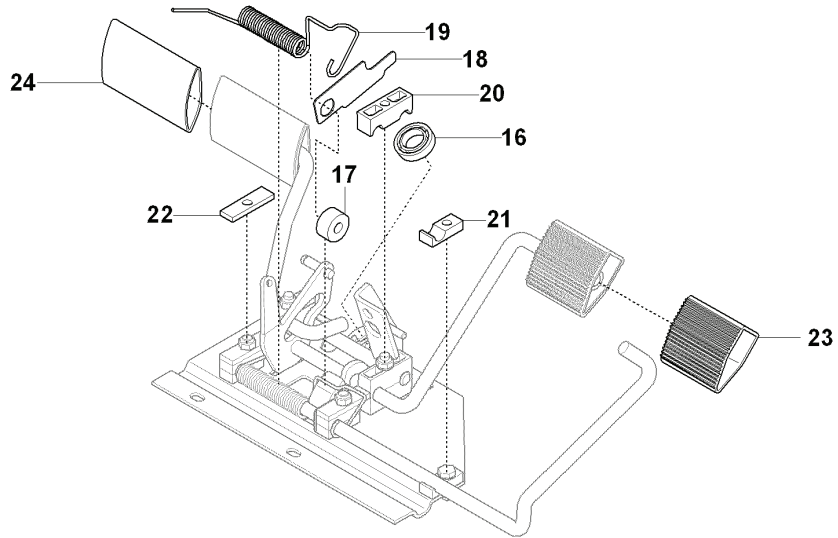


REF.	PART NO.	DESCRIPTION	REMARK	QTY.	KIT
42	535423001	BRACKET	Expired	1	
43	725245171	SCREW EHHM		4	
44	732211801	LOCK NUT		4	
45	535468801	FRÅMRE TVÄRRÖR KPL.		1	
46	535468701	REAR CROSS TUBES ASS		1	
47	506869601	BEARING		8	
48	506813801	REINFORCING PLATE		3	
49	506979101	SERVICEBRICKA		1	
50	725246151	SCREW EHHM		8	
51	732211801	LOCK NUT	Expired	8	
52	506933904	PARALLEL ROD ASSY		1	
53	506814906	ROD		1	
54	506789901	VINKELLÄNK DIN 71802		1	
55	506897601	NUT		1	
56	506951701	ROD END	Replaced: 7312320-01	1	
57	731232051	HEXAGON NUT		1	
58	506941206	CLUTCH ROD ASSY		1	
59	506941306	CONNECTION ROD		1	
60	506789901	VINKELLÄNK DIN 71802		1	
61	506897601	NUT		1	
62	506535603	DRAW SPRING		1	
63	725249571	SCREW EHHM	Replaced: 7322120-01	1	
64	732212051	NUT	Expired	3	
65	535463601	PROTECTIVE TUBING		1	
66	506597401	SCREW EHHFM		4	
67	732211801	LOCK NUT		4	
68	506963001	WHEEL ASSY		2	
69	535464101	WASHER		4	
70	735311700	CIRCLIP		2	
71	535476301	SIDE RAIL		2	
72	727638301	SCREW RSQM	Replaced: 5051984-01	4	
73	734115601	WASHER		4	
74	732211601	LOCK NUT		4	

P RIDER R175AWD
PEDALS

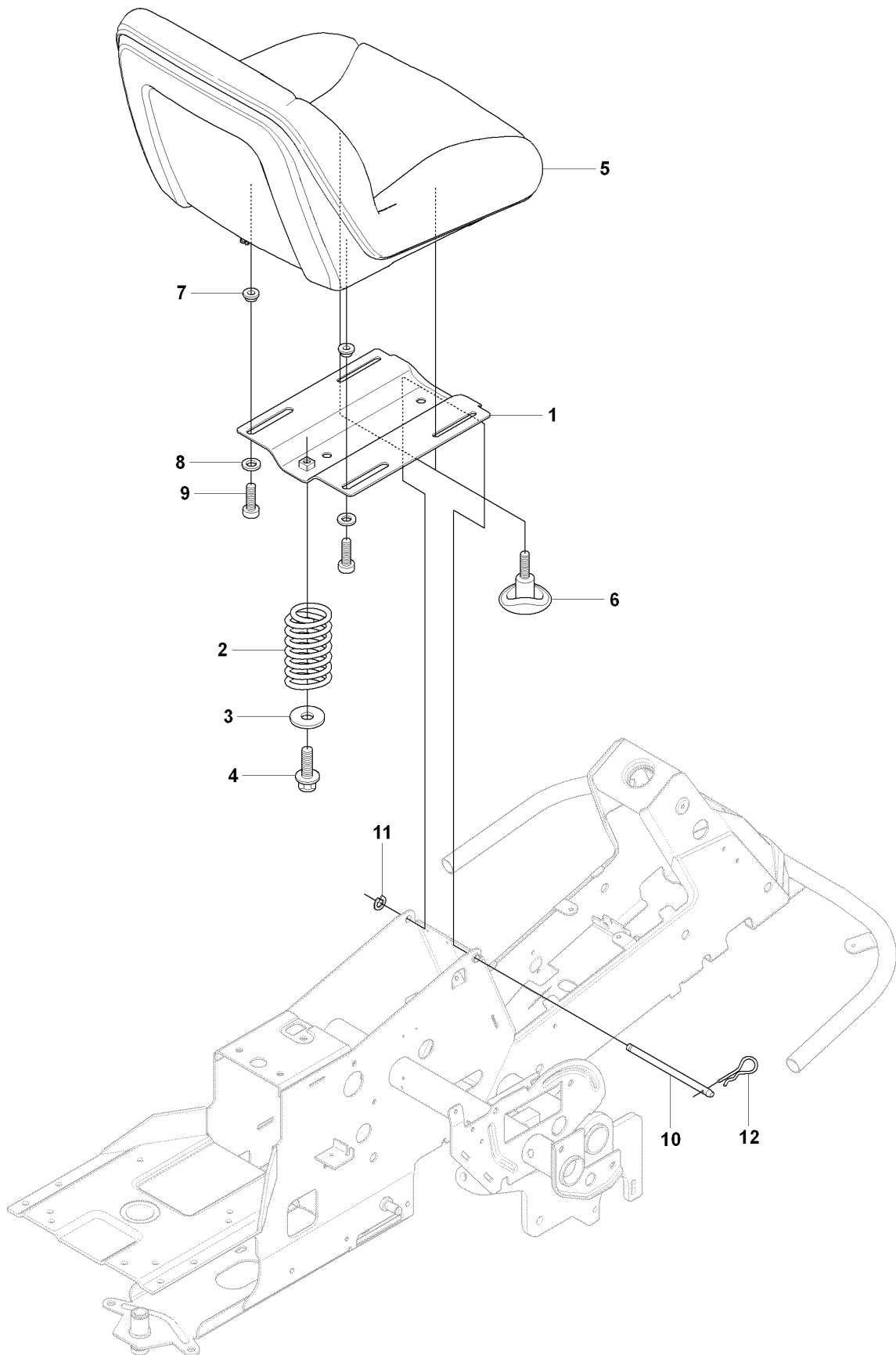


PEDALS



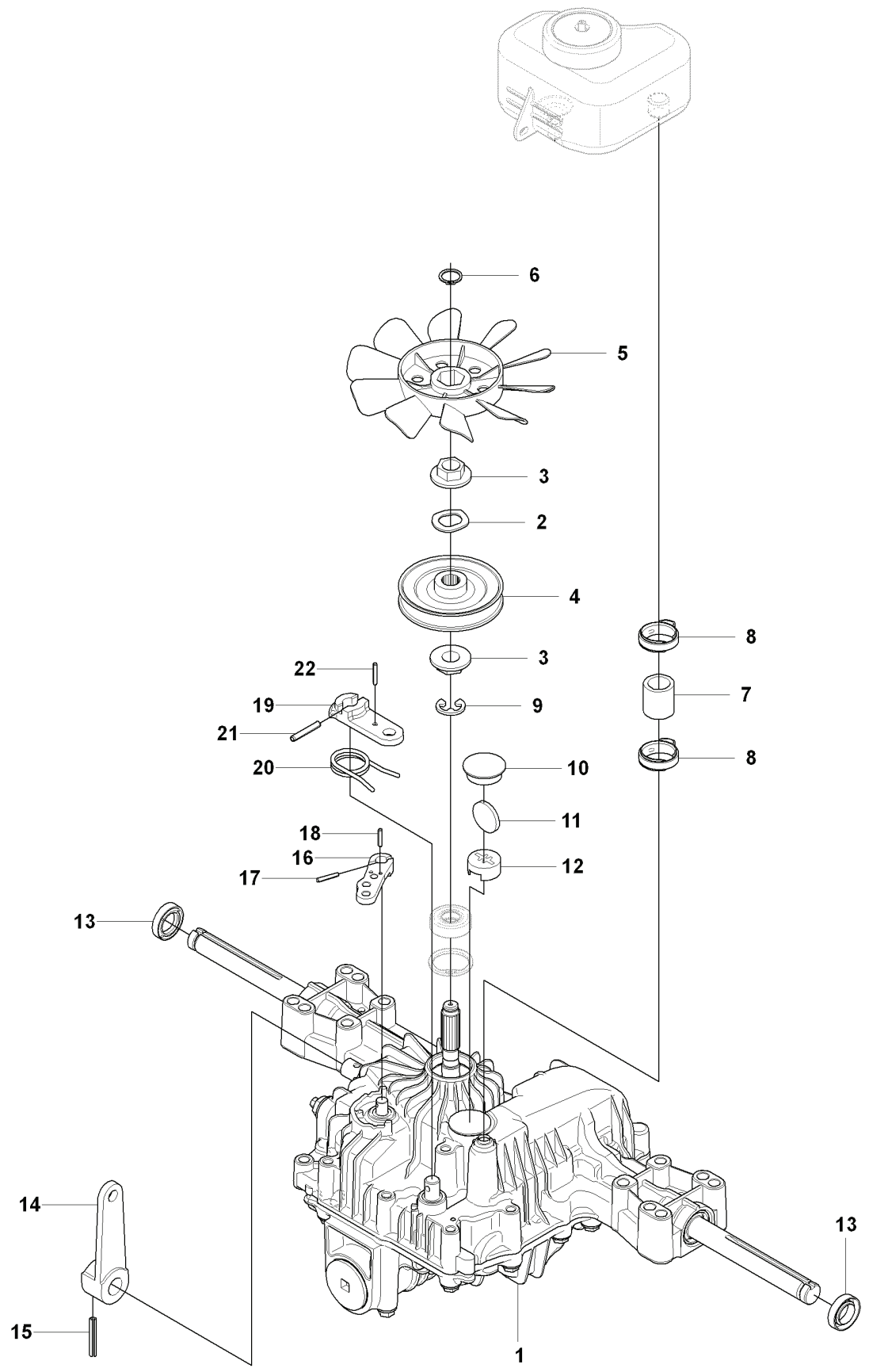
REF.	PART NO.	DESCRIPTION	REMARK	QTY.	KIT
1	544126001	PEDAL PLATE ASSY	Replaced: 5839514-01	1	
2	535473701	KNOB	Replaced: 5867274-01	1	
3	506570104	SCREW EHHFM		4	
4	544403101	BRAKE LEVER ASSY		1	
5	725236461	SCREW EHHFT		2	
6	506946301	BRAKE SPRING	Replaced: 5767121-01	1	
7	535489601	BRAKE WIRE		1	
8	735310920	E-CLIP		1	
9	506535603	DRAW SPRING	Replaced: 5744111-01	1	
10	506827202	CONTROL CABLE		1	
11	506557301	VINKELLAS8 DIN71802		2	
12	732211401	LOCK NUT		2	
13	731231401	HEXAGON NUT		2	
14	522430801	BRACKET		1	
15	725236461	SCREW EHHFT		1	
16	738210204	BALL BEARING	Replaced: 5354599-01	1	
17	535480201	ROLLER	Replaced: 5354596-01	1	
18	535480601	PROTECTIVE PLATE	Replaced: 5354595-01	1	
19	535480701	SPRING	Replaced: 5065065-01	1	
20	535480801	BEARING SUPPORT	Replaced: 5069541-01	4	
21	535480901	BEARING SUPPORT	Replaced: 5068041-01	1	
22	535481001	REINFORCEMENT PLATE	Replaced: 5065062-01	1	
23	535478801	PEDAL	Replaced: 5065062-02	1	
24	535478802	PEDAL		1	

A RIDER R175AWD
SEAT, TS2500



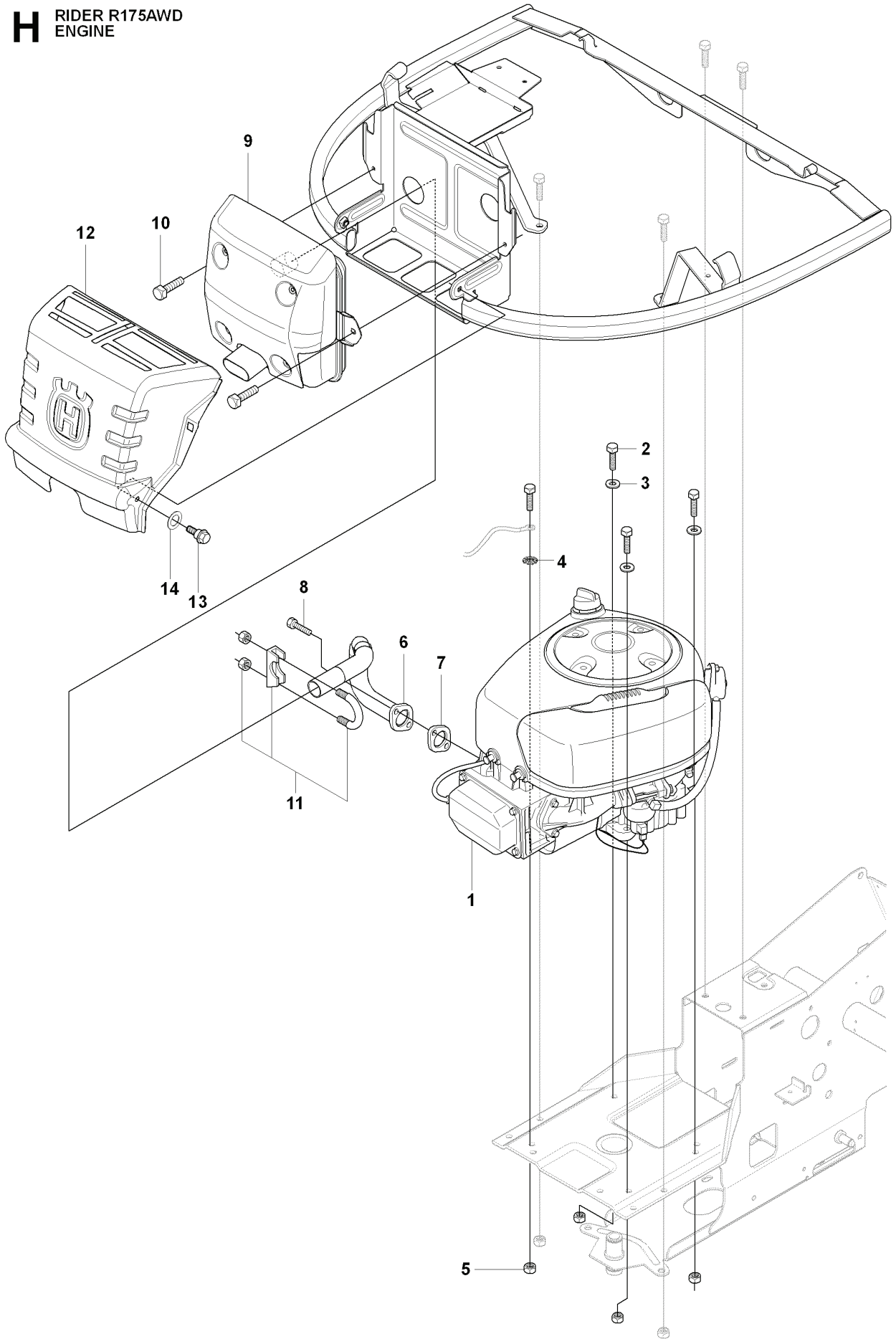
REF.	PART NO.	DESCRIPTION	REMARK	QTY.	KIT
1	544328503	SEAT BRACKET	Expired	1	
2	506915301	COMPRESSION SPRING		1	
3	734117441	WASHER		1	
4	725249371	SCREW EHHM	Replaced: 5876053-01	1	
5	544433301	SEAT	Replaced: 5850652-01	1	
6	506565501	JUSTERVRED		2	
7	506565301	BUSHING		2	
8	734116441	WASHER		2	
9	506556301	SCREW UNC	Expired	2	
10	506509901	SHAFT		1	
11	735311200	CIRCLIP		1	
12	506668801	SPRING COTTER		1	

K RIDER R175AWD
HYDROSTAT K574 SP



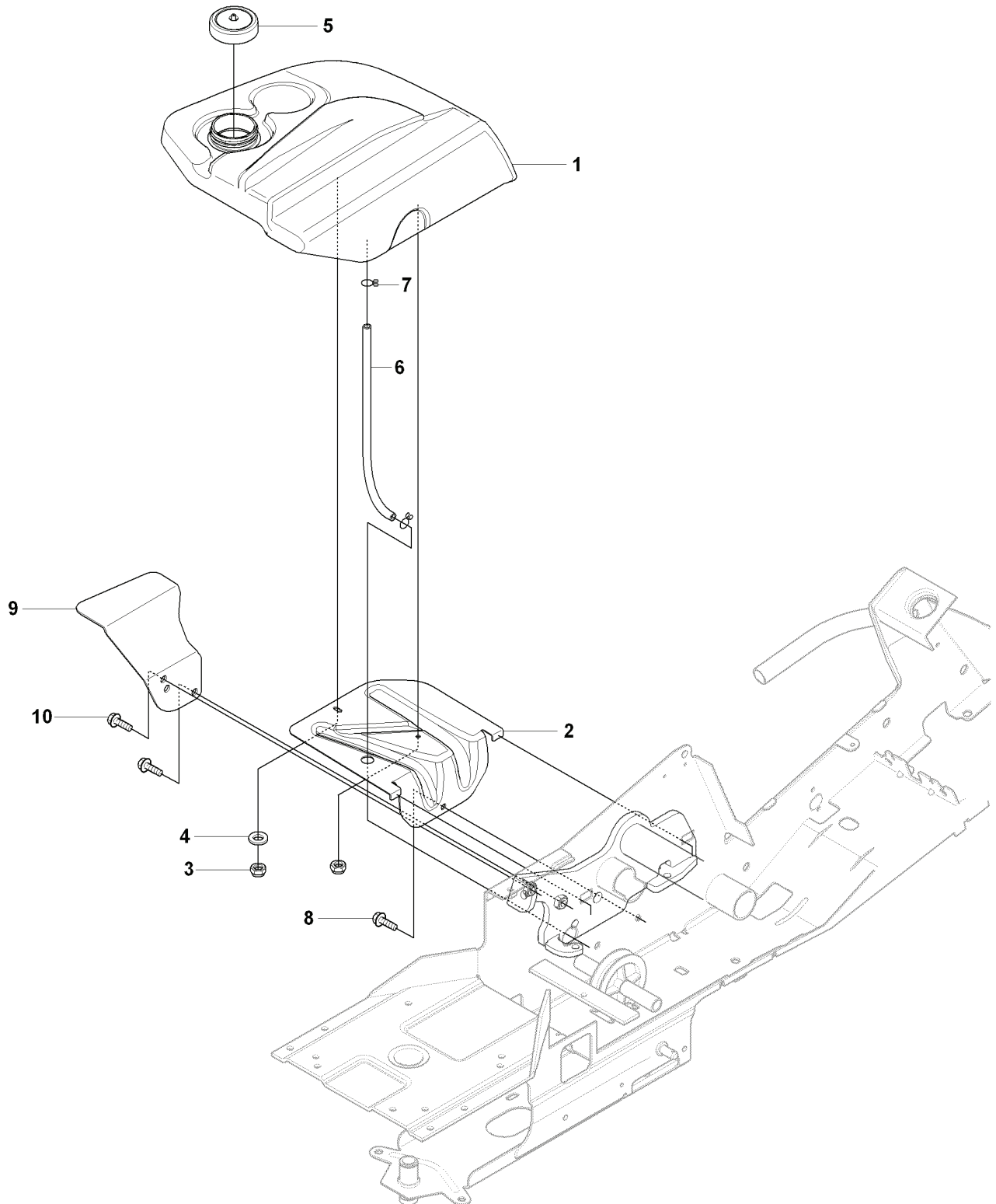
REF.	PART NO.	DESCRIPTION	REMARK	QTY.	KIT
1	544116101	TRANSMISSION	Replaced: 5907168-01	1	
2	506986501	SPRING WASHER		1	
3	506986601	DISTANCE		2	
4	502451901	PULLEY		1	
5	506986801	FAN		1	
6	735311500	CIRCLIP		1	
7	502451601	TUBE	Replaced: 5051311-02	1	
8	506987001	HOSE CLAMP	Replaced: 5821629-01	2	
9	535402807	CLIP		1	
10	535402832	PLUG	Replaced: 5055639-01	1	
11	535402829	MAGNET		1	
12	535402830	HOLDER		1	
13	535402837	SEALING		2	
14	502453201	CONTROL LEVER	Replaced: 5869046-01	1	
15	535402809	PIN RETAINING SCREW		1	
16	535402817	LEVER	Replaced: 5869045-01	1	
17	535402816	PIN RETAINING SCREW		1	
18	535402833	PIN RETAINING SCREW		1	
19	535402838	LEVER		1	
20	535402839	SPRING		1	
21	535402840	PIN RETAINING SCREW		1	
22	535402841	PIN		1	

H RIDER R175AWD
ENGINE



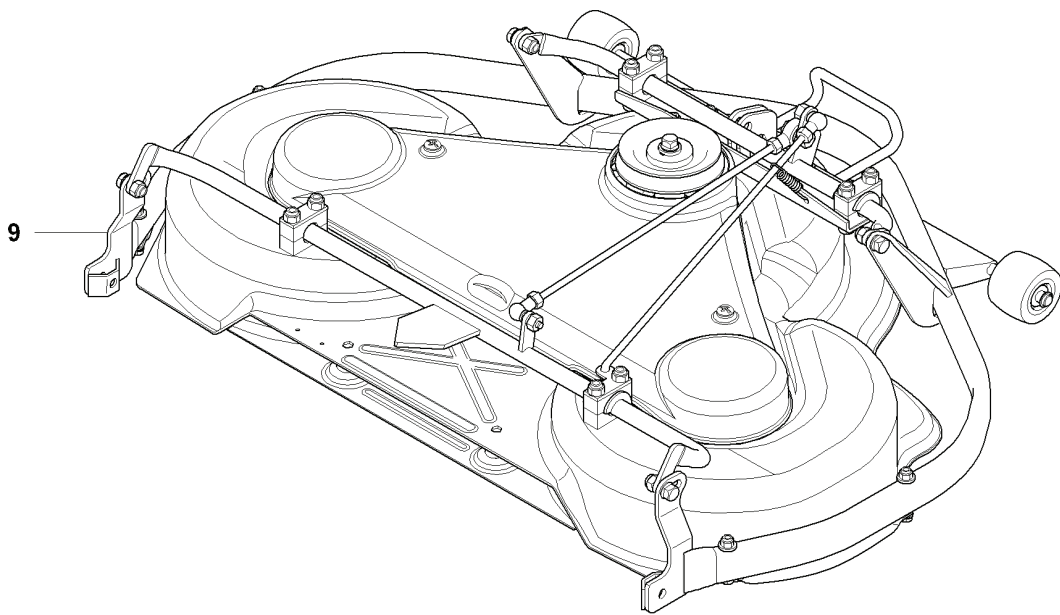
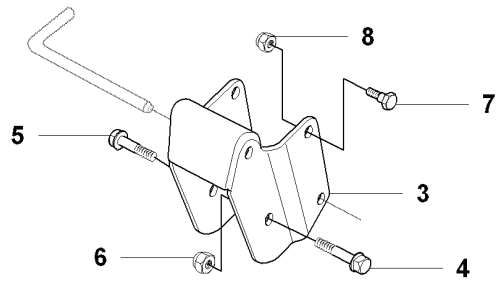
REF.	PART NO.	DESCRIPTION	REMARK	QTY.	KIT
1	544833101	ENGINE	Replaced: 5773435-01	1	
2	725245751	SCREW		4	
3	734116401	WASHER		3	
4	735216400	LOCKWASHER		1	
5	732211801	LOCK NUT		4	
6	535500601	EXHAUST PIPE ASSY		1	
7	506914501	GASKET		1	
8	506556301	SCREW UNC		2	
9	544335701	MUFFLER ASSY		1	
10	725236461	SCREW EHHFT	Replaced: 5011522-01	2	
11	506668401	CLAMP ASSY	Expired	1	
12	544248301	HEAT PROTECTOR		1	
13	506597401	SCREW EHHFM		2	
14	506839401	SPRING WASHER		2	

B RIDER R175AWD
FUEL SYSTEM



REF.	PART NO.	DESCRIPTION	REMARK	QTY.	KIT
1	535501301	FUEL TANK		1	
2	544329301	BRACKET		1	
3	732211601	LOCK NUT	Replaced: 5051984-01	2	
4	734115601	WASHER		1	
5	506673301	TANK CAP ASSY	Replaced: 5048000-07	1	
6	506946707	FUEL HOSE		1	
7	535469701	HOSE BRACE		2	
8	725236461	SCREW EHHFT		1	
9	501020301	SUPPORT		1	
10	725249371	SCREW EHHM		2	

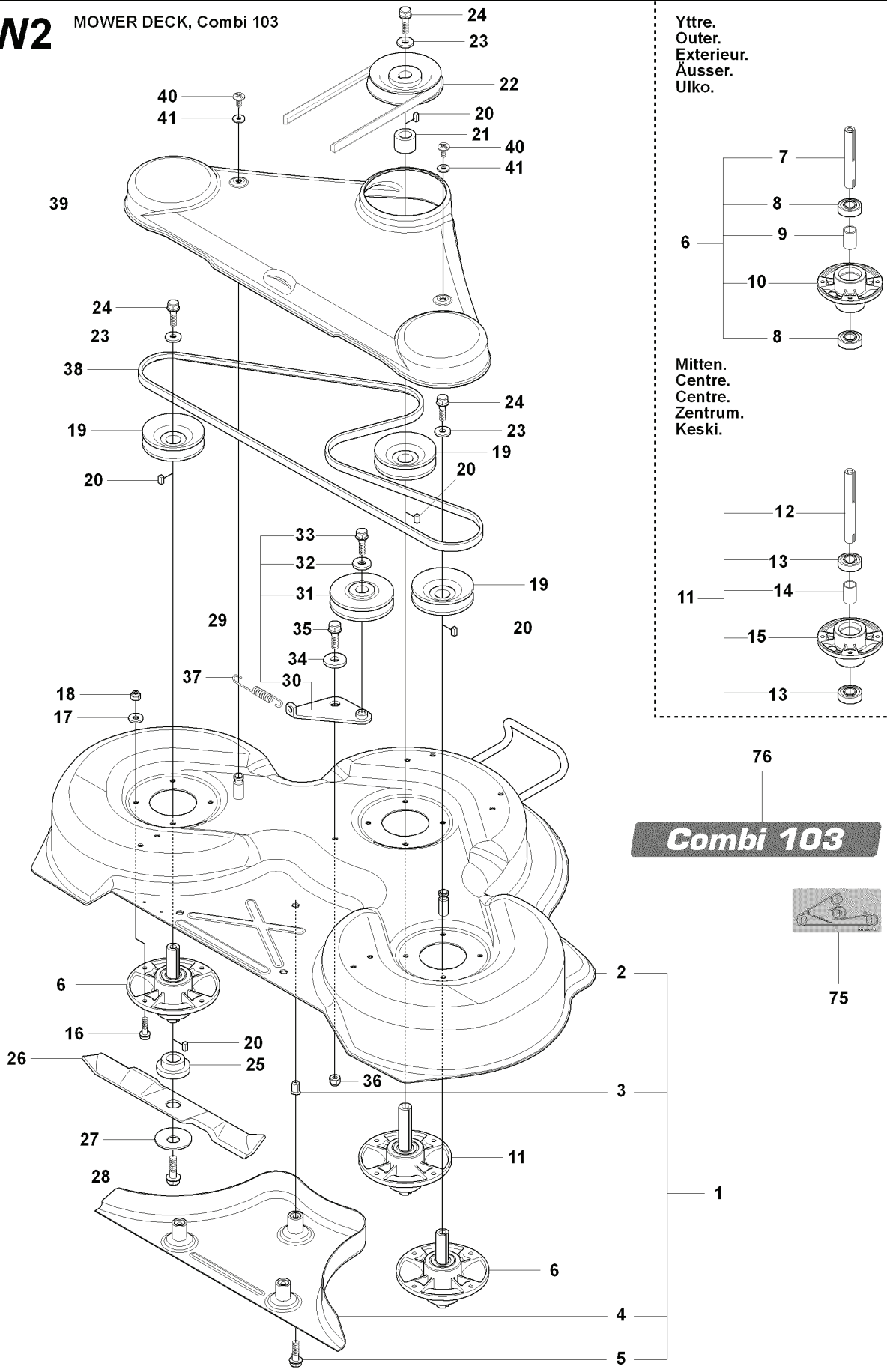
U MOWER DECK, Combi 103



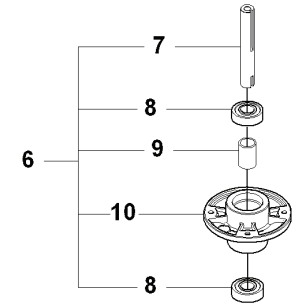
REF.	PART NO.	DESCRIPTION	REMARK	QTY.	KIT
1	506929001	LABEL		1	
3	535431301	LÄNKRÖRRSINFÄSTN.KPL		1	
4	725254251	SCREW EHHM		1	
5	725253671	SCREW EHHM		1	
6	732252201	HEXAGON LOCKING NUT		2	
7	506597401	SCREW EHHFM		2	
8	732211801	LOCK NUT		2	
9	965078401	CUTTING DECK		1	

W2

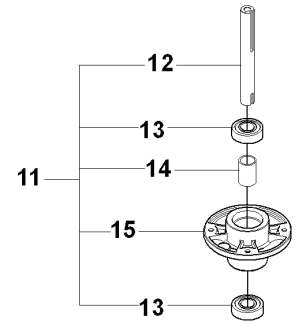
MOWER DECK, Combi 103



Yttre.
Outer.
Exterieur.
Äusser.
Uiiko.



Mitten.
Centre.
Centre.
Zentrum.
Keski.



76
Combi 103

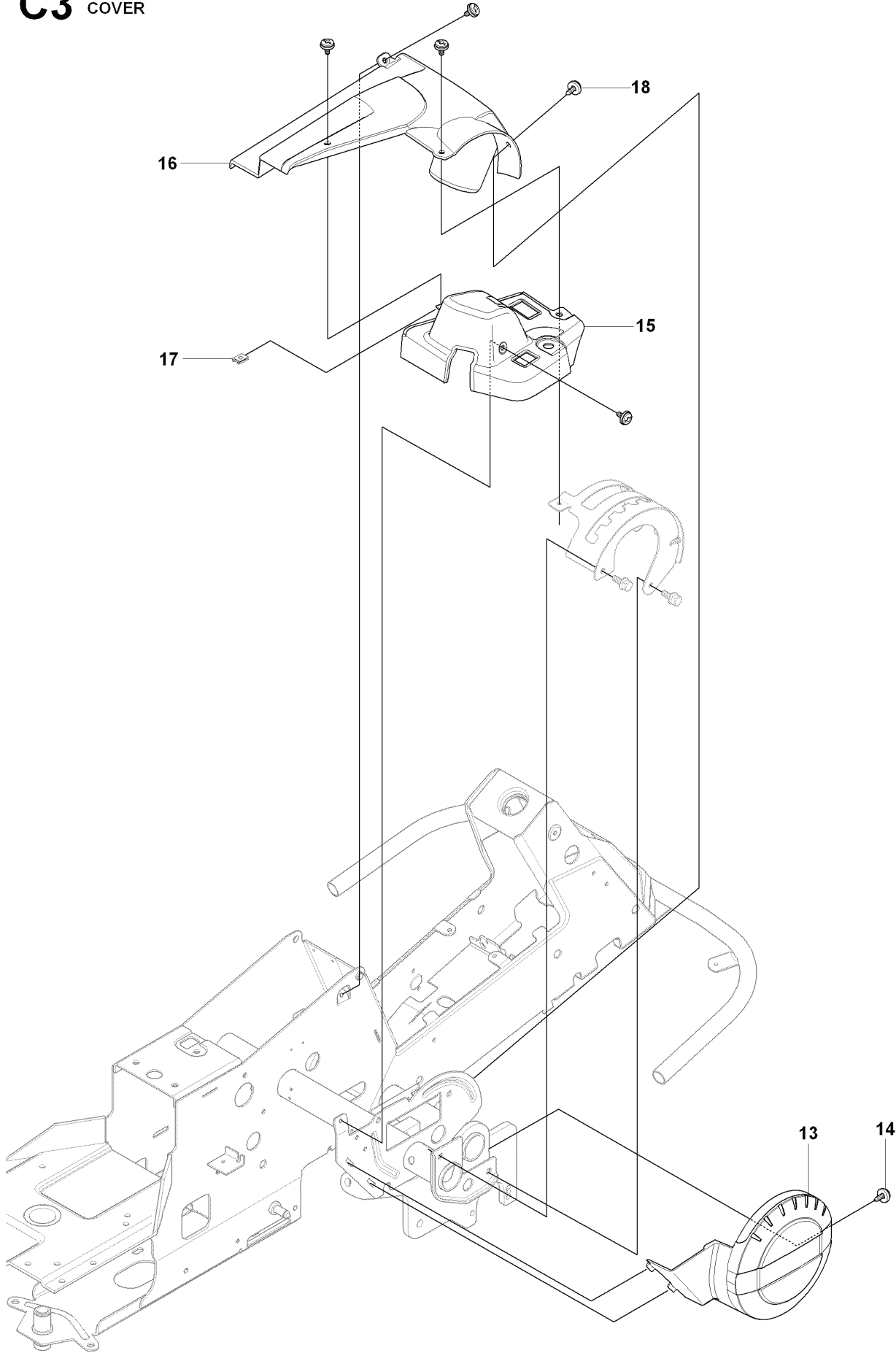


75

REF.	PART NO.	DESCRIPTION	REMARK	QTY.	KIT
1	544112903	CUTTING DECK	Expired	1	
2	544112801	CUTTING DECK	Expired	1	
3	506916201	NUT		3	
4	544449201	PLUG		1	
5	506570104	SCREW EHHFM	Replaced: 5763841-02	3	
6	544065901	BLADE HOUSING ASSY	Replaced: 5763843-02	2	
7	544067902	SHAFT		1	
8	738230434	BALL BEARING	Replaced: 5763844-01	2	
9	544068001	SPACING SLEEVE	Replaced: 5763842-01	1	
10	544067801	BEARING HOUSING	Replaced: 5763841-01	1	
11	544065902	BLADE HOUSING ASSY		1	
12	544067901	SHAFT		1	
13	738230434	BALL BEARING	Replaced: 5763844-01	2	
14	544068001	SPACING SLEEVE	Replaced: 5763842-01	1	
15	544067801	BEARING HOUSING		1	
16	535423801	SCREW RSQM		12	
17	734116401	WASHER		12	
18	732211801	LOCK NUT		12	
19	506922101	PULLEY		3	
20	506533501	PARALLEL KEY		7	
21	544068002	SPACING SLEEVE		1	
22	506778601	PULLEY		1	
23	734117441	WASHER		3	
24	544114101	SCREW EHHM		3	
25	535504202	ADAPTER		3	
26	504188210	BLADE	Replaced: 5881456-01	3	
27	506792301	KNIFE PLATE		3	
28	544114101	SCREW EHHM	Replaced: 5869666-01	3	
29	506540701	BELT TENSIONER ASSY	Replaced: 5869666-01	1	
30	506519501	SPÄNNARM KPL.		1	
31	506532701	PULLEY		1	
32	734116441	WASHER		1	
33	506558302	SCREW EHHFT		1	
34	506918702	WASHER		1	
35	725245171	SCREW EHHM		1	
36	732211801	LOCK NUT		1	
37	506533101	SPRING		1	
38	589530601	BELT	Replaced: 5440961-03	1	
39	544096101	BELT COVER		1	
40	506982601	SCREW		2	
41	506559701	WASHER		2	
75	506789701	LABEL		1	
76	544238103	LABEL		1	

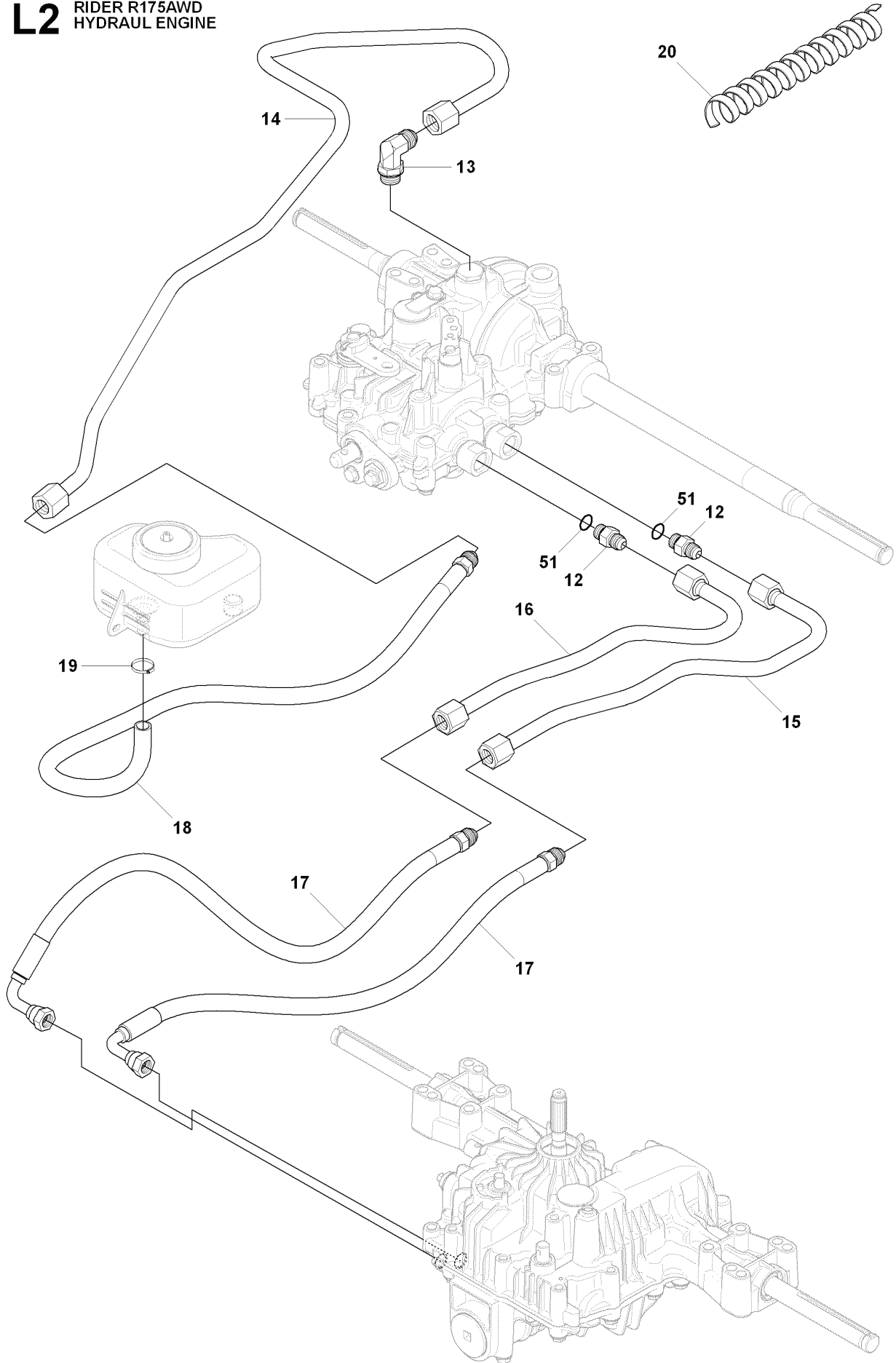
C3

**RIDER R175AWD
COVER**



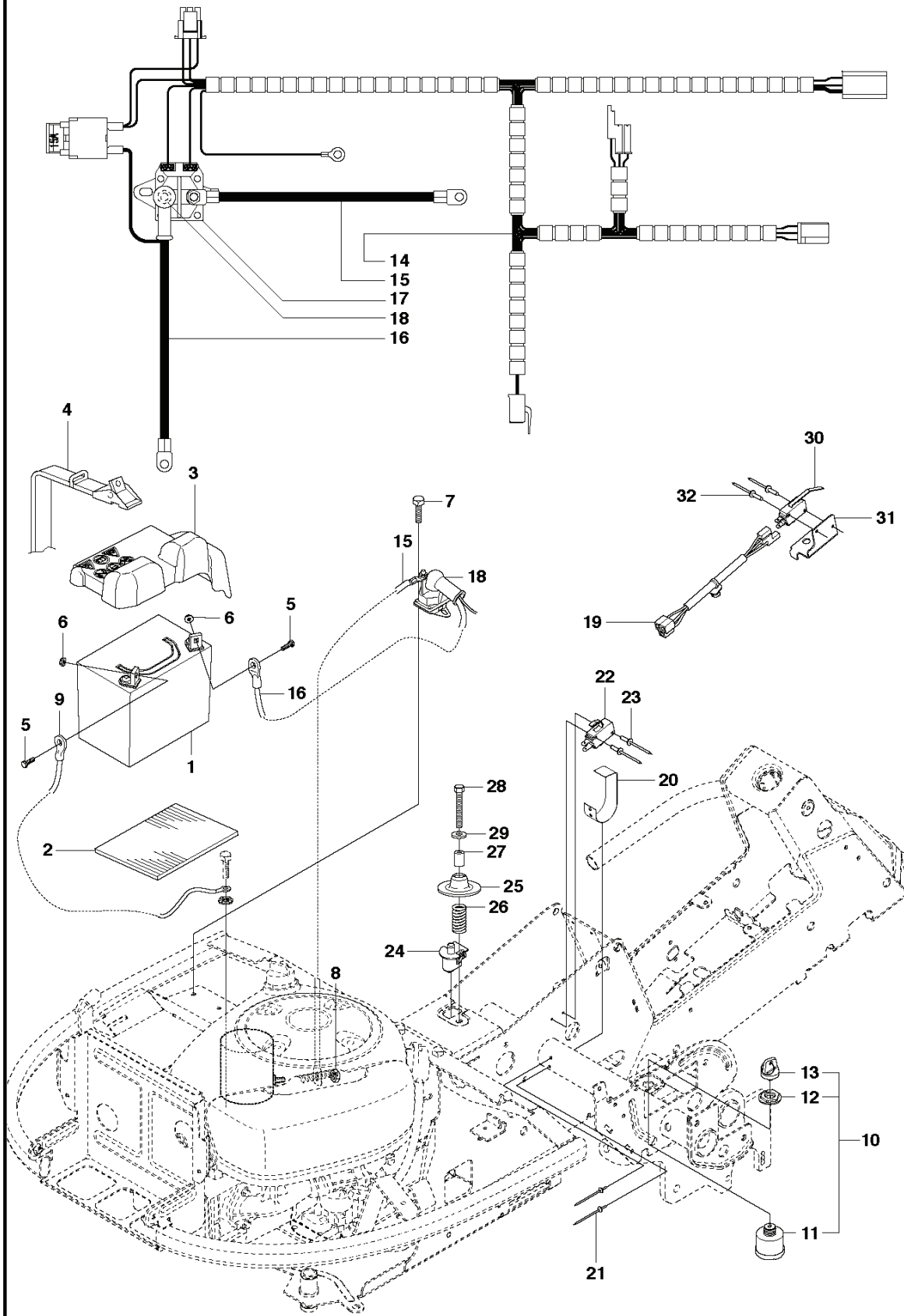
REF.	PART NO.	DESCRIPTION	REMARK	QTY.	KIT
13	535502501	CONTROL COVER	Expired	1	
14	544400501	SCREW		1	
15	544332103	CONTROL COVER	Expired	1	
16	544332202	COVER	Expired	1	
17	535429101	SPRING NUT		1	
18	544400501	SCREW		4	

L2 RIDER R175AWD
HYDRAUL ENGINE



REF.	PART NO.	DESCRIPTION	REMARK	QTY.	KIT
12	535426507	PIPE FITTING	Expired	2	
13	535437302	PIPE FITTING	Replaced: 5254912-01	1	
14	544807801	HYDRAULIC PIPE		1	
15	544807901	HYDRAULIC PIPE		1	
16	544808001	HYDRAULIC PIPE		1	
17	544456403	HYDRAULIC HOSE	Replaced: 5224298-02	2	
18	544122201	HOSE	Replaced: 5994327-01	1	
19	505131101	HOSE CLAMP		1	
20	544026601	HOSE GUARD		1	
51	505451101	O-RING		2	

Q RIDER R175AWD
ELECTRICAL



REF.	PART NO.	DESCRIPTION	REMARK	QTY.	KIT
1	510138501	BATTERY	Replaced: 5770416-01	1	
2	535441101	BATTERY MAT		1	
3	510026901	COVER		1	
4	506836802	BELT		1	
5	522622101	SCREW EHHM		1	
6	522624301	NUT		1	
7	725236461	SCREW EHHFT		1	
8	506899801	NUT	Replaced: 5761838-01	1	
9	544967603	CABLE		1	
10	544442101	IGNITION SWITCH		1	
11	544442201	IGNITION SWITCH		1	
12	544442301	NUT		1	
13	544442401	IGNITION KEY	Replaced: 5761853-01	1	
14	544926301	WIRING	Replaced: 5761839-01	1	
15	544928601	CABLE	Replaced: 5761840-01	1	
16	544926104	CABLE		1	
17	544439801	RELAY		1	
18	506899801	NUT	Replaced: 5761854-01	2	
19	544892201	WIRING		1	
20	506909301	PLATE SPRING		1	
21	722783902	BLIND RIVET	Replaced: 5743160-01	2	
22	535469101	SWITCH		1	
23	544440701	RIVET		2	
24	506909601	SWITCH		1	
25	506909701	SPRING WASHER		1	
26	544441201	SPRING	Expired	1	
27	506909902	SPACING TUBE		1	
28	725246051	SCREW EHHM		1	
29	734116401	WASHER	Replaced: 5743161-01	1	
30	544415501	SWITCH		1	
31	544415701	BRACKET		1	
32	544440701	RIVET		2	