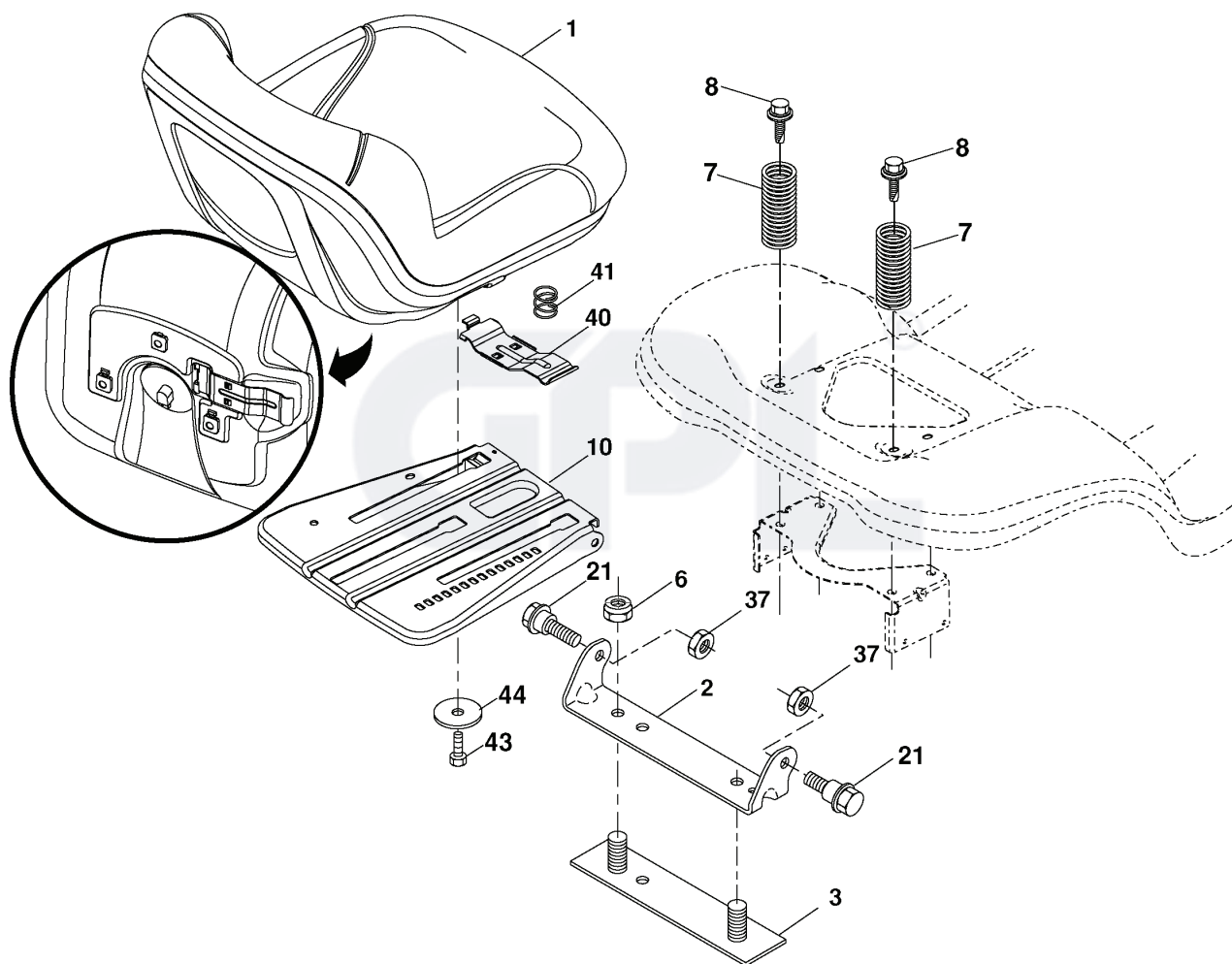


YTH2348, 96043003500, 960430035, 2006-1



SPARE PARTS LIST

TRACTOR - MODEL NO. YTH2348 (96043003500), PRODUCT NO. 960 43 00-35
SEAT ASSEMBLY



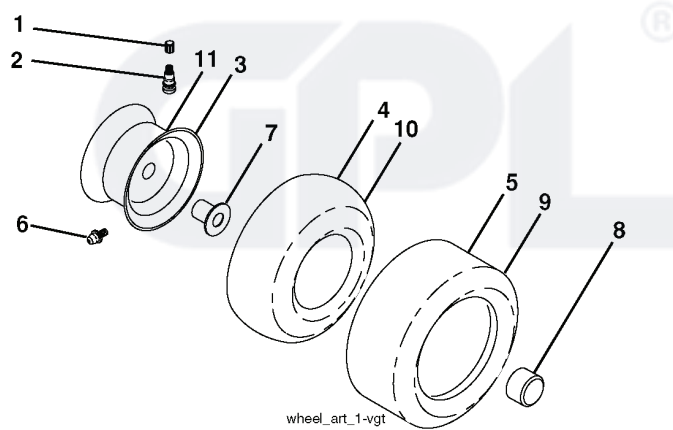
seat-tex_7-vgt

REF.	PART NO.	DESCRIPTION	REMARK	QTY.	KIT
1	532406621	SEAT		1	
2	532180166	BRACKET		1	
3	532140675	STRAP		1	
6	873800600	NUT		1	
7	532124181	SPRING		1	
8	532171877	BOLT		1	
10	532196977	PLATE		1	
21	532171852	BOLT		1	
37	873800500	LOCK NUT		1	
40	532197661	HANDLE		1	
41	532198200	SPRING		1	
43	874760612	BOLT		1	
44	819133812	WASHER		1	



TRACTOR - MODEL NO. YTH2348 (96043003500), PRODUCT NO. 960 43 00-35

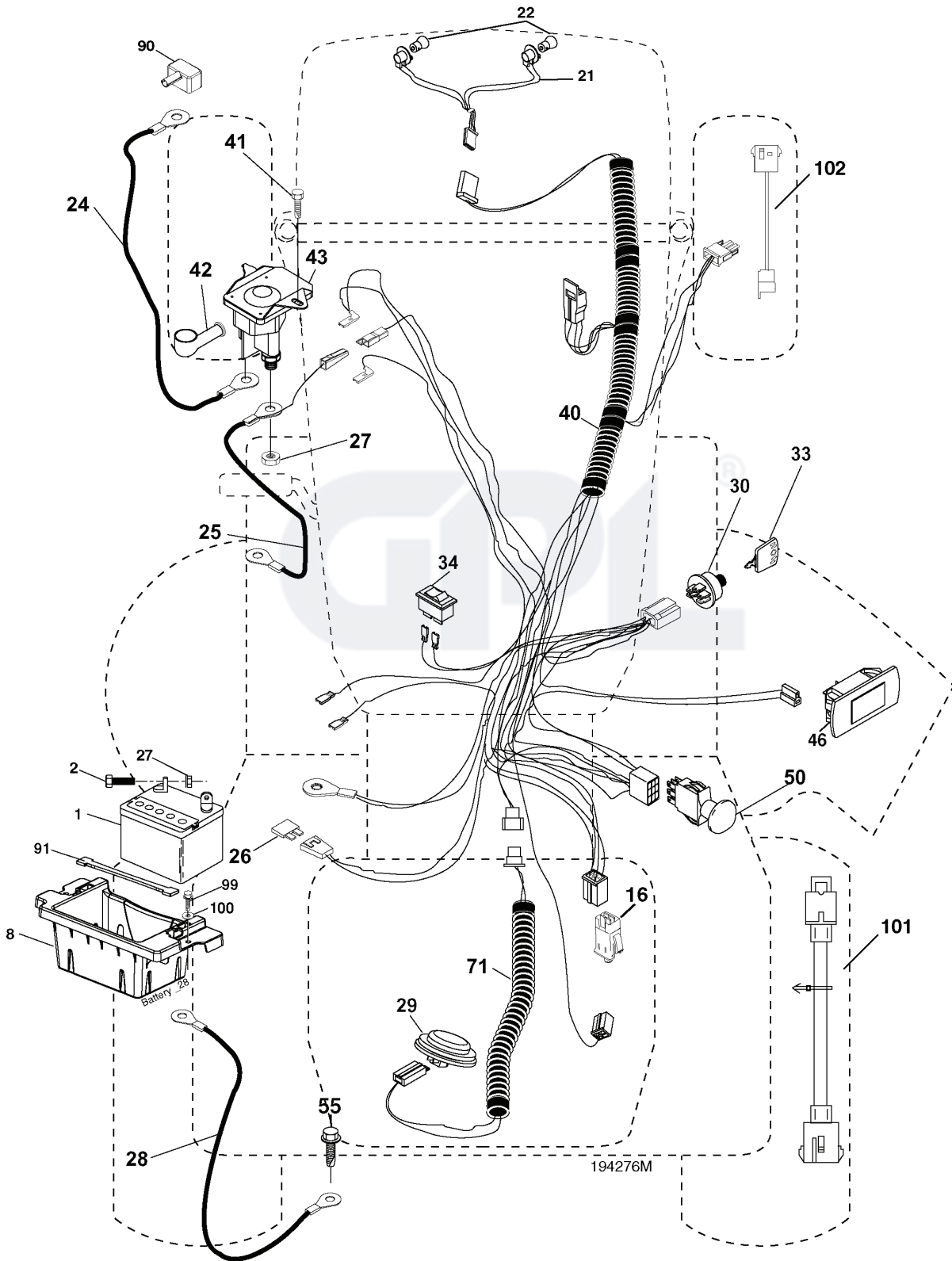
WHEELS AND TIRES



REF.	PART NO.	DESCRIPTION	REMARK	QTY.	KIT
1	532059192	CAP VALVE		1	
2	532065139	NIPPLE		1	
3	532138336	RIM		1	
4	532059904	HOSE		1	
5	532106222	TIRE		1	
6	532124957	FITTING		1	
7	532124959	BEARING		1	
8	532175039	HUB CAP		1	
9	532138468	TIRE		1	
10	532124926	HOSE		1	
11	532138337	RIM SPROCKET		1	
--	532144334	SEALING FOAM		1	

GPL®

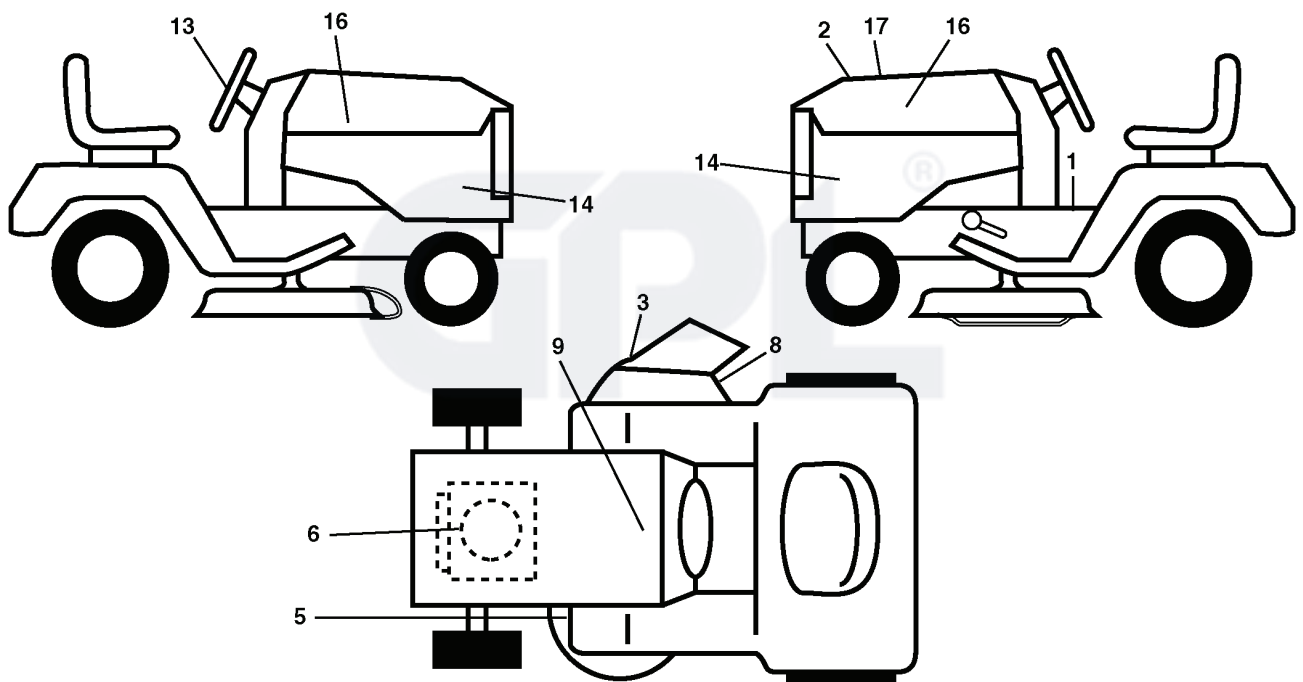
**TRACTOR - MODEL NO. YTH2348 (96043003500), PRODUCT NO. 960 43 00-35
ELECTRICAL**



REF.	PART NO.	DESCRIPTION	REMARK	QTY.	KIT
1	532144927	BATTERY		1	
2	874760412	BOLT		1	
8	532186491	BOX		1	
16	532176138	MICRO SWITCH		1	
21	532183759	HARNESS		1	
22	532004152	BULB		1	
24	532400253	CABLE		1	
25	532198893	CABLE		1	
26	532175158	FUSE		1	
27	873510400	NUT		1	
28	532145491	CABLE		1	
29	532401545	SWITCH		1	
30	532193350	IGNITION MODULE		1	
33	532140401	KEY		1	
34	532110712	SWITCH		1	
40	532401104	CABLE ASSY		1	
41	817720408	SCREW		1	
42	532131563	COVER		1	
43	532192507	SOLENOID		1	
46	532401763	DISPLAY		1	
50	532174651	SWITCH		1	
55	817060512	SCREW		1	
71	532194276	CABLE ASSY		1	
90	532400724	COVER		1	
91	532190270	STRAP BATTERY MOUNT FRO		1	
99	817670412	SCREW		1	
100	819091416	WASHER		1	
101	532198317	CABLE		1	
102	532404454	CABLE		1	



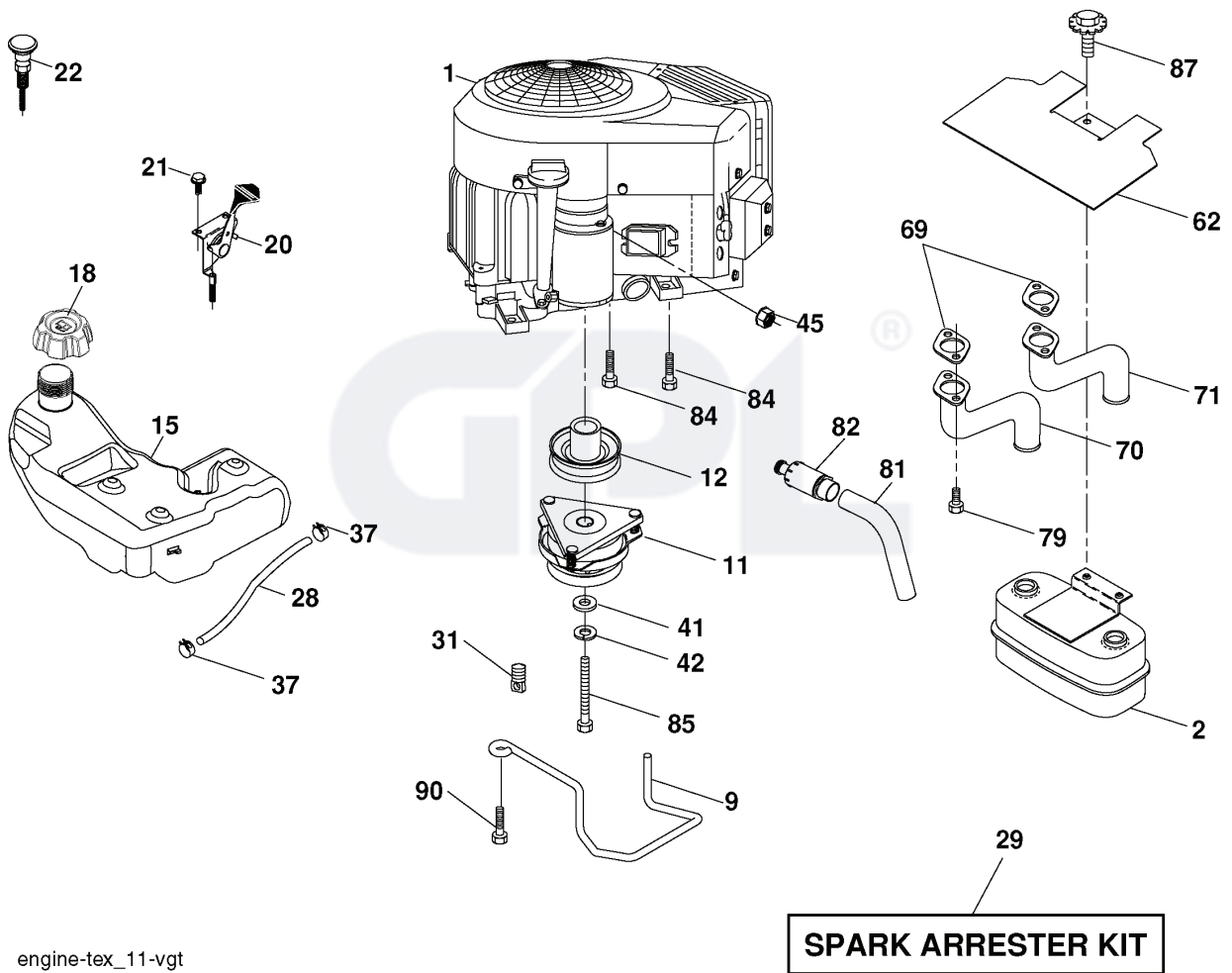
**TRACTOR - MODEL NO. YTH2348 (96043003500), PRODUCT NO. 960 43 00-35
DECALS**



REF.	PART NO.	DESCRIPTION	REMARK	QTY.	KIT
1	532402104	DECAL		1	
2	532402128	LABEL		1	
3	532170563	DECALC."DANGER"		1	
5	532178502	DECALC.CARTER "DANGER"		1	
6	532408841	DECAL		1	
8	532198785	LABEL		1	
9	532145005	DECAL		1	
13	532404484	LABEL		1	
14	532410055	DECAL		1	
16	532402832	LABEL		1	
17	532410375	DECAL		1	
--	532166960	DECAL		1	
--	532410805	PAD		1	
--	532410806	PAD. FOOTREST. RH		1	
--	532410474	OPERATOR'S MANUAL		1	
--	532410475	OPERATOR'S MANUAL		1	



**TRACTOR - MODEL NO. YTH2348 (96043003500), PRODUCT NO. 960 43 00-35
ENGINE**

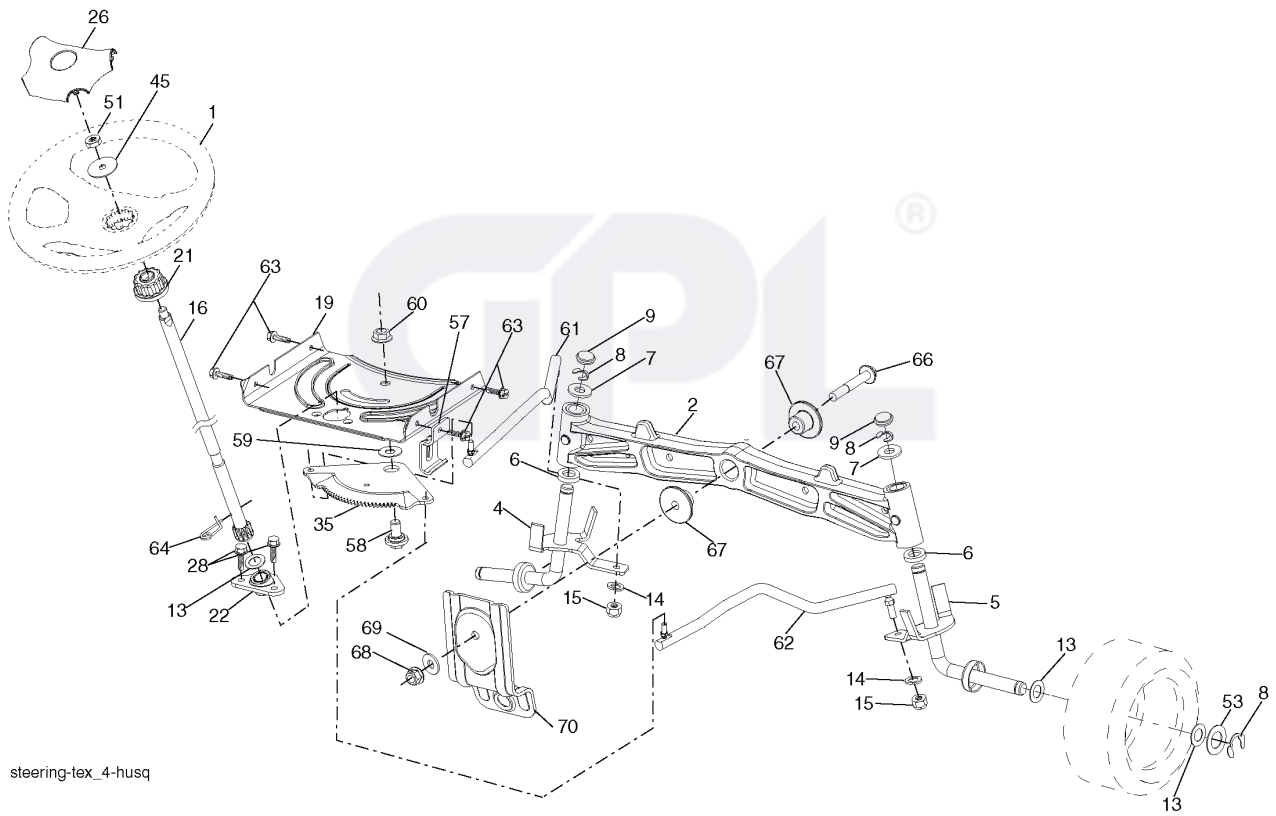


engine-tex_11-vgt

REF.	PART NO.	DESCRIPTION	REMARK	QTY.	KIT
2	532149723	MUFFLER		1	
9	532194320	BELT GUIDE		1	
11	532179334	CLUTCH ELEC.		1	
12	532405097	PULLEY		1	
15	532400021	FUEL TANK		1	
18	532194267	FUEL CAP		1	
20	532178385	THROTTLE TRIGGER		1	
21	532191611	SCREW		1	
22	532191596	COMMA*RPLPAR 532187767428		1	
28	532401135	LINE.FUEL 64'REAR.EMIS		1	
29	532137180	SPARK ARRESTER KIT		1	
31	532145006	CLIP		1	
37	532123487	HOSE CLAMP		1	
41	532126197	WASHER		1	
42	810040700	WASHER		1	
45	873510400	NUT		1	
62	532146629	HEAT SHIELD		1	
69	532165391	GASKET		1	
70	532159955	TUBE		1	
71	532160589	TUBE		1	
79	532183906	SCREW		1	
81	532148456	TUBE		1	
82	532181654	PLUG		1	
84	817060620	SCREW		1	
85	532150280	SCREW		1	
87	532171877	BOLT		1	
90	817000616	SCREW		1	

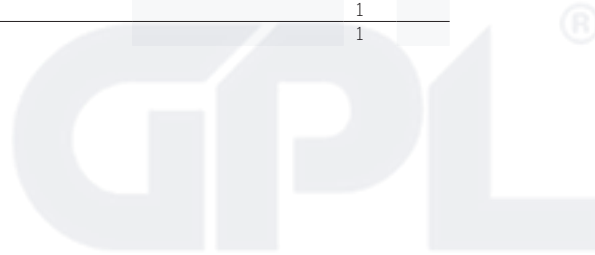


**TRACTOR - MODEL NO. YTH2348 (96043003500), PRODUCT NO. 960 43 00-35
STEERING ASSEMBLY**



steering-tex_4-husq

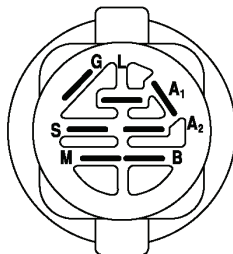
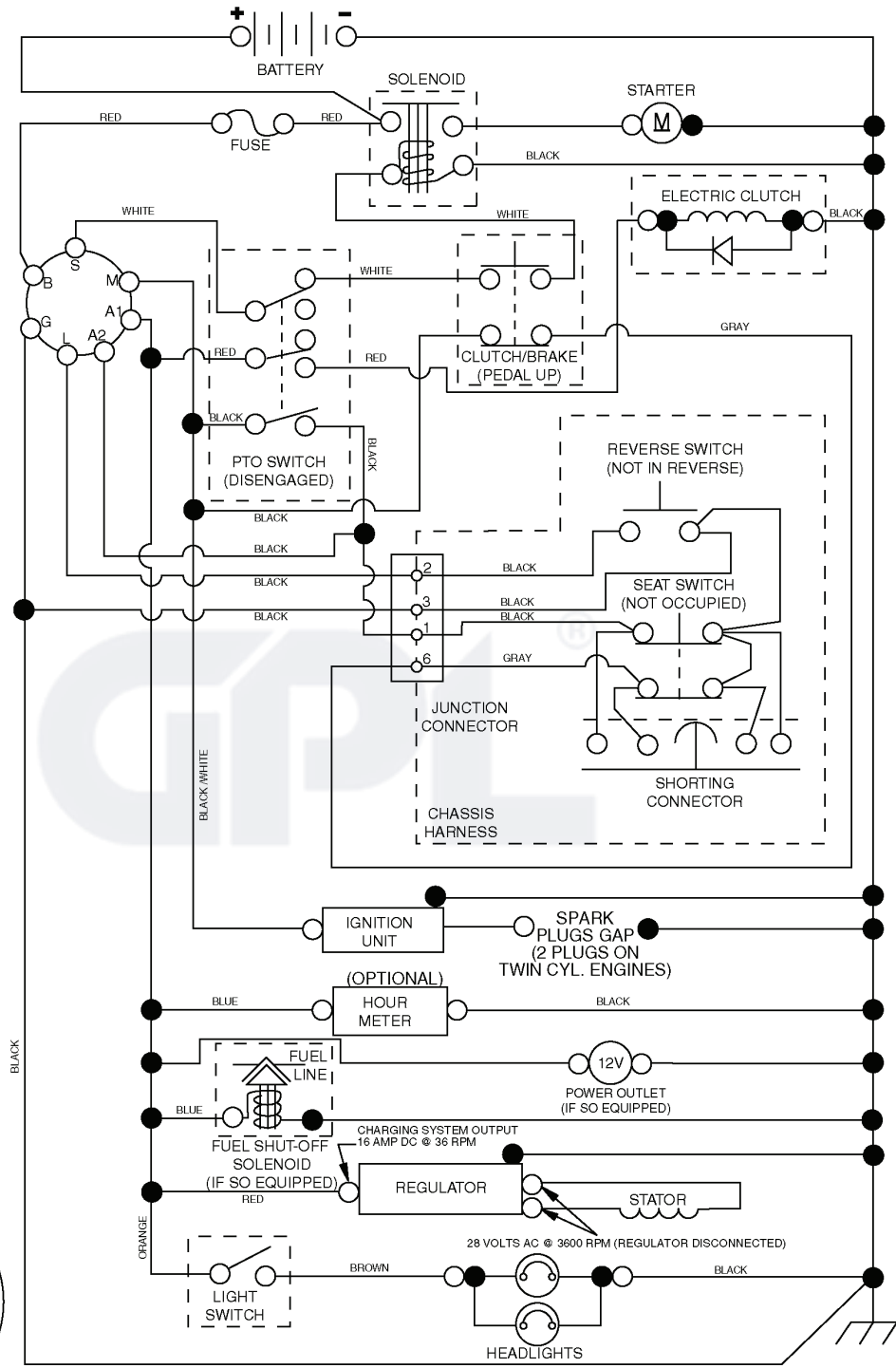
REF.	PART NO.	DESCRIPTION	REMARK	QTY.	KIT
1	532193943	WHEEL STEERING		1	
2	532195968	SHAFT		1	
4	532403087	SPINDLE		1	
5	532403088	SPINDLE		1	
6	532124931	WASHER		1	
7	532121748	WASHER		1	
8	812000029	RETAINER RING		1	
9	532121232	HUB CAP		1	
13	532121749	WASHER		1	
14	810040600	WASHER		1	
15	873540600	NUT		1	
16	532194746	SHAFT		1	
19	532194729	PLATE		1	
21	532186737	ADAPTER		1	
22	532194845	BUSHING		1	
26	532193652	HUB		1	
28	817000612	SCREW		1	
35	532194732	PLATE		1	
45	819183812	WASHER		1	
51	873940800	NUT		1	
53	532188967	WASHER		1	
57	532197246	BRACKET		1	
58	532194747	BOLT		1	
59	532194748	WASHER		1	
60	873971000	NUT		1	
61	532194740	LINK		1	
62	532194741	LINK		1	
63	817000512	SCREW		1	
64	532199849	SPRING RETAINER		1	
66	871020748	BOLT		1	
67	532194737	BUSHING		1	
68	873900700	NUT		1	
69	532199162	WASHER		1	
70	532196197	BRACKET		1	



TRACTOR - MODEL NO. YTH2348 (96043003500), PRODUCT NO. 960 43 00-35

SCHEMATIC

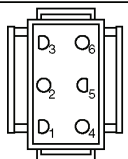
02929-194276_Regulated-Tex



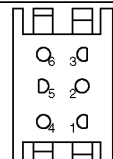
IGNITION SWITCH

POSITION	CIRCUIT	"MAKE"
OFF	M+G+A1	
RUN/OVERRIDE	B+A1	
RUN	B+A1	L+A2
START	B + S + A1	

02929



CHASSIS HARNESS CONNECTOR (MATING SIDE)



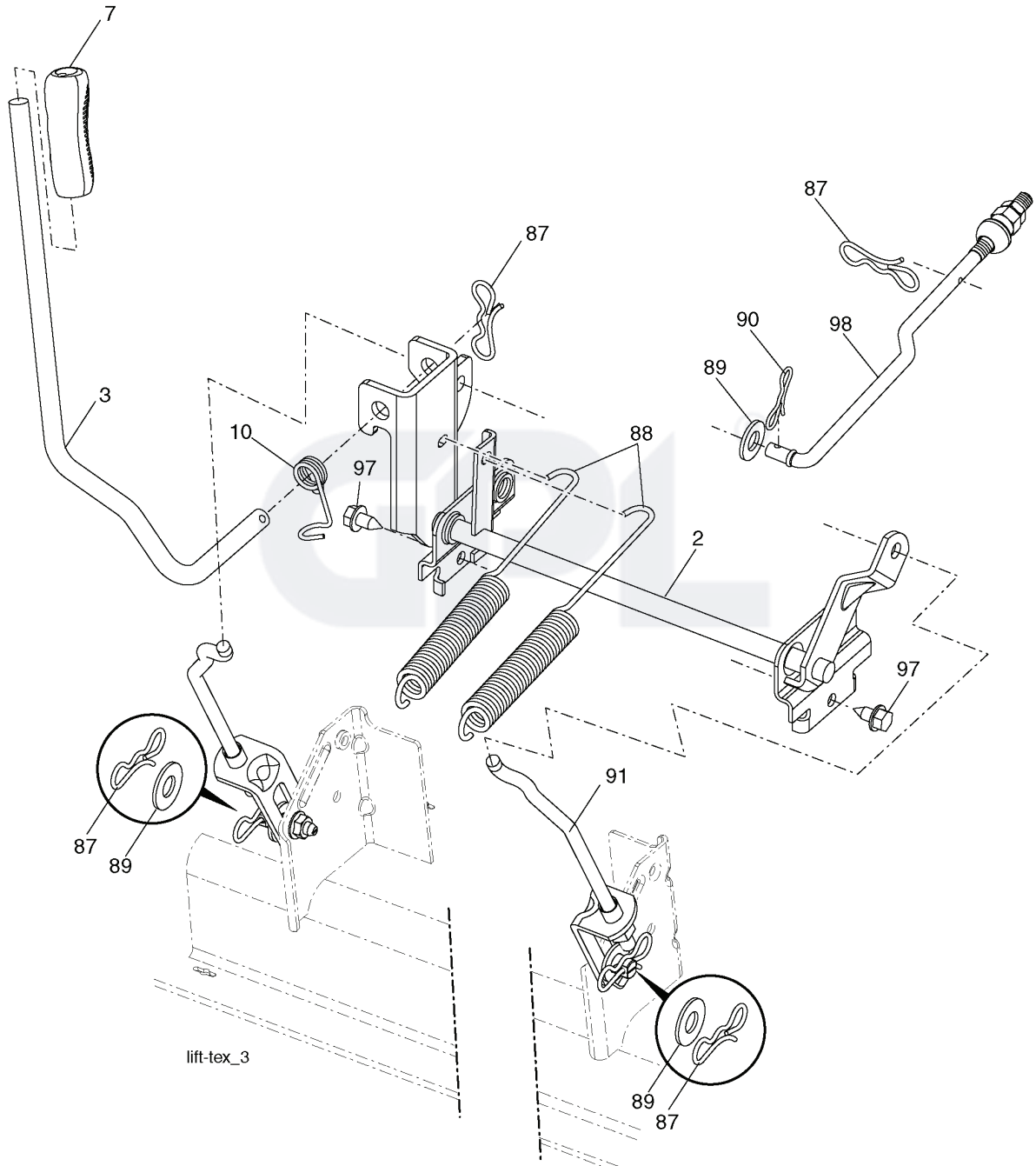
DASH HARNESS CONNECTOR (MATING SIDE)

WIRING INSULATED CLIPS
NOTE: IF WIRING INSULATED CLIPS WERE REMOVED FOR SERVICING OF UNIT, THEY SHOULD BE REPLACED TO PROPERLY SECURE YOUR WIRING.

● NON-REMOVABLE CONNECTIONS

○ REMOVABLE CONNECTIONS

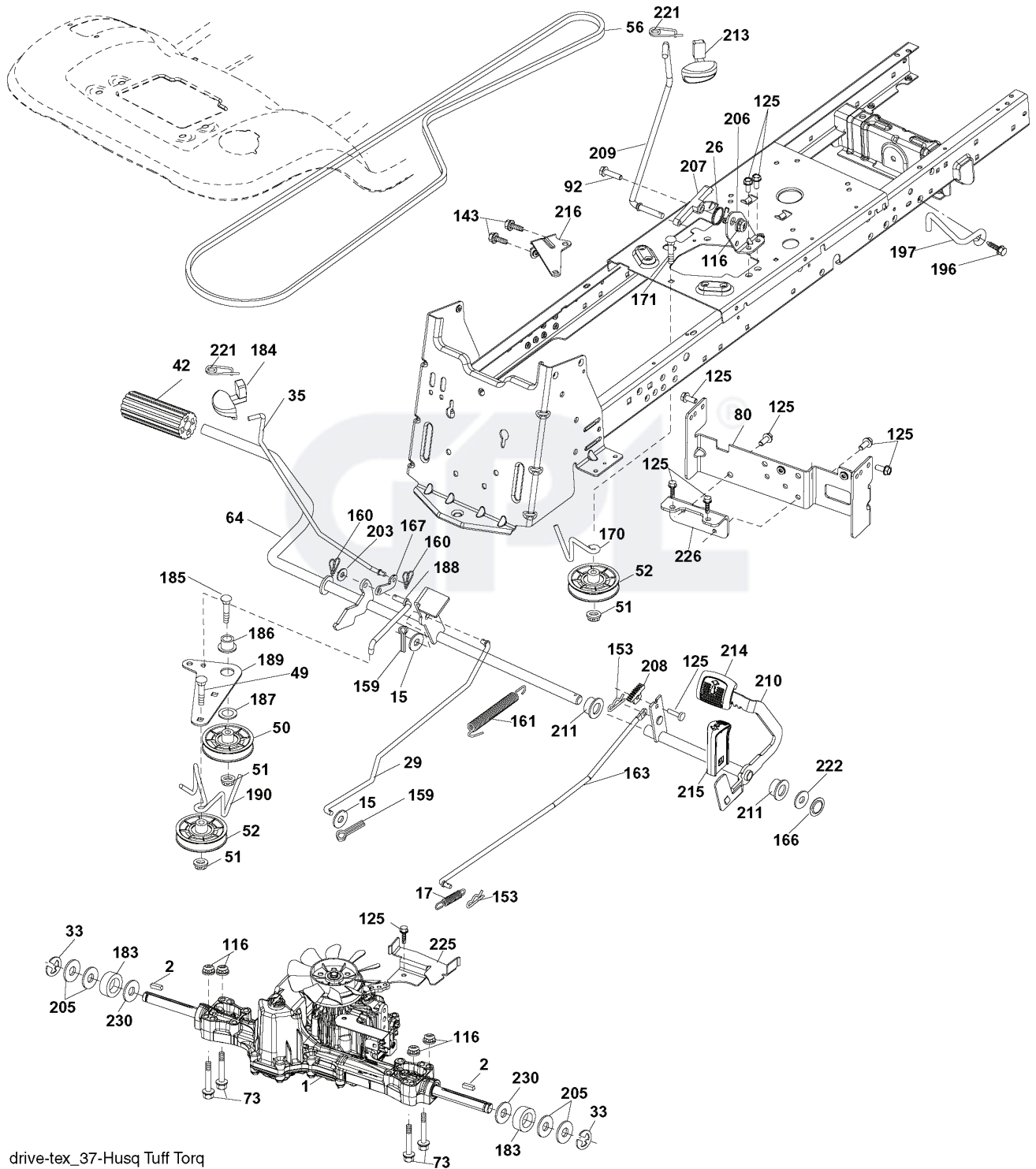
TRACTOR - MODEL NO. YTH2348 (96043003500), PRODUCT NO. 960 43 00-35
MOWER LIFT



REF.	PART NO.	DESCRIPTION	REMARK	QTY.	KIT
2	532195223	SHAFT		1	
3	532195231	LEVER		1	
7	532196492	GRIP		1	
10	532196314	SPRING		1	
87	532194209	SPRING		1	
88	532195303	SPRING		1	
89	819191912	WASHER		1	
90	532194208	PIN		1	
91	532195181	LINK		1	
97	817060612	SCREW		1	
98	532195264	LINK		1	

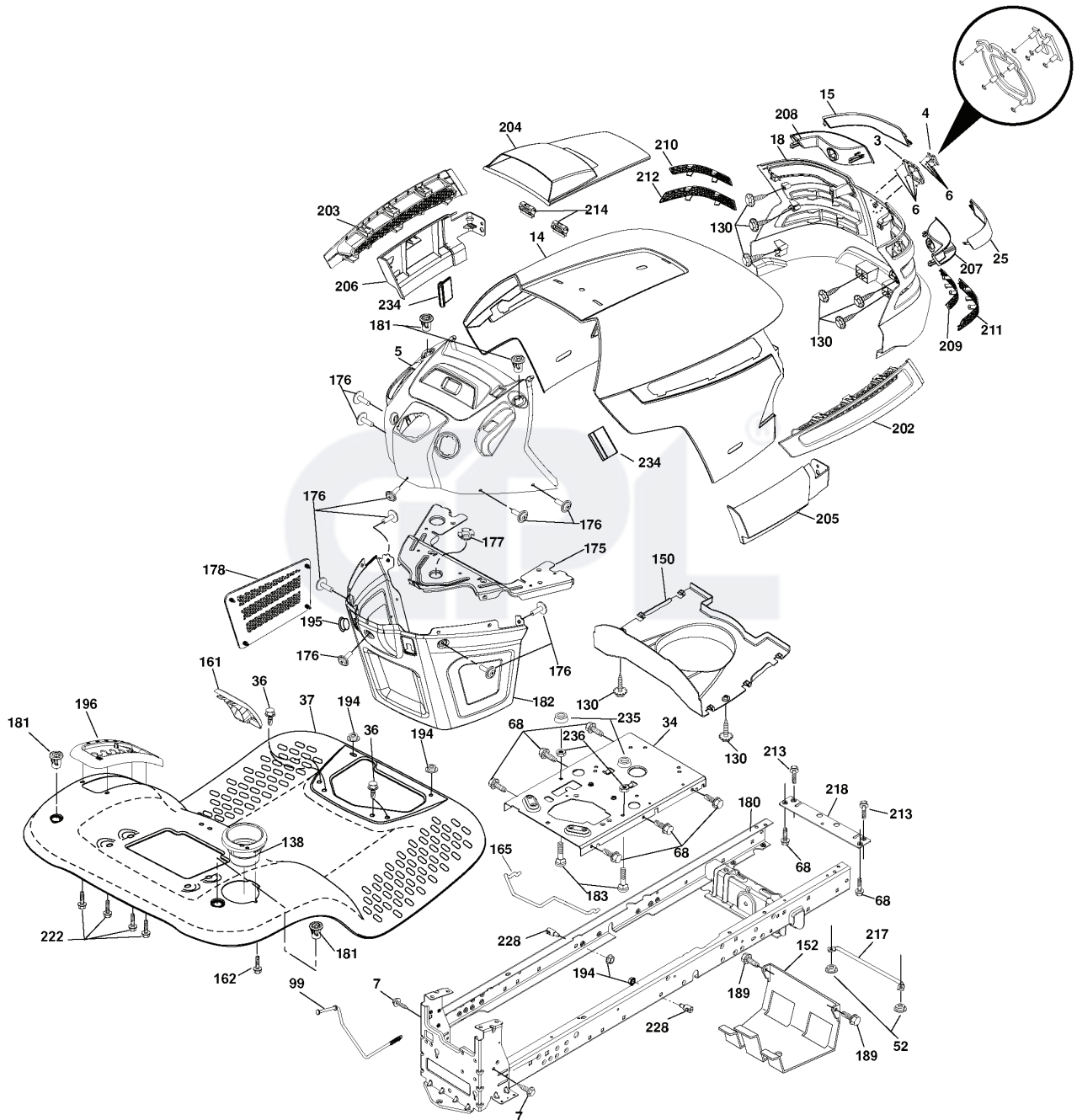
GPL®

**TRACTOR - MODEL NO. YTH2348 (96043003500), PRODUCT NO. 960 43 00-35
DRIVE**



REF.	PART NO.	DESCRIPTION	REMARK	QTY.	KIT
1	532405384	TRANSAXLE, TUFFTORQ K46		1	
2	532123583	KEY		1	
15	819131316	WASHER		1	
17	532401072	SPRING		1	
26	532199679	SPRING		1	
29	532403806	ROD		1	
33	812000001	RETAINER RING		1	
35	532199591	ROD		1	
42	532124872	PEDAL RUBBER		1	
49	872110614	BOLT		1	
50	532194327	PULLEY		1	
51	873900600	NUT		1	
52	532194326	PULLEY		1	
56	532130969	BELT		1	
64	532197865	SHAFT		1	
73	874490544	SCREW		1	
80	532404483	STRAP		1	
92	874760520	BOLT		1	
116	873900500	NUT		1	
125	817000512	SCREW		1	
143	817490508	SCREW		1	
153	532124788	RETAINER RING		1	
159	876020412	SPLIT PIN		1	
160	532169484	PIN		1	
161	532195403	SPRING		1	
163	532401034	ROD		1	
166	532197290	NUT		1	
167	532405257	LATCH		1	
170	532194322	KEEPER		1	
171	872110616	BOLT		1	
183	532137057	SPACER		1	
184	532403118	CONTROL		1	
185	872110620	BOLT		1	
186	532194321	SPACER		1	
187	819133210	WASHER		1	
188	532194323	LINK		1	
189	532194317	PLATE		1	
190	532194318	BELT GUIDE		1	
196	817000616	SCREW		1	
197	532195804	BRACKET		1	
203	819111116	WASHER		1	
205	532121748	WASHER		1	
206	532197867	BRACKET		1	
207	532197868	LATCH		1	
208	532197869	SUPPORT		1	
209	532199592	ROD		1	
210	532400980	PEDAL ARM		1	
211	532120183	BEARING		1	
213	532403119	CONTROL		1	
214	532401722	PEDAL		1	
215	532401723	PEDAL		1	
216	532196131	BRACKET		1	
221	532403187	SPRING		1	
222	879212010	WASHER		1	
225	532403319	BELT GUIDE		1	
226	532401564	BRACKET		1	
230	532188967	WASHER		1	

**TRACTOR - MODEL NO. YTH2348 (96043003500), PRODUCT NO. 960 43 00-35
CHASSIS**



chassis-tex_21-gt-husq

REF.	PART NO.	DESCRIPTION	REMARK	QTY.	KIT
3	532198509	LOGO CROWN		1	
4	532199348	LOGO		1	
5	532408701	PANEL		1	
6	532404883	CLIP		1	
7	532196539	BOLT		1	
14	532411046	HOOD		1	
15	532198907	LENS		1	
18	532404821	FRONT COVER		1	
25	532198906	LENS		1	
34	532196125	PLATE		1	
36	817060512	SCREW		1	
37	532404940	FEND/FTRST.PCH.CPH.FW		1	
52	873680500	NUT		1	
68	817490508	SCREW		1	
99	532405903	ROD		1	
130	532191611	SCREW		1	
138	532402954	HOLDER		1	
150	532198512	BRACKET		1	
152	532199535	SHIELD		1	
161	532409627	CONSOLE		1	
162	532142432	SCREW		1	
165	532196826	BRACKET		1	
175	532196304	SUPPORT		1	
176	532400776	SCREW		1	
177	532195227	BUSHING		1	
178	532199782	NET		1	
180	532195457	CHASSIS		1	
181	532403025	BUSHING		1	
182	532194787	PANEL		1	
183	874780520	BOLT		1	
189	817000512	SCREW		1	
194	873900500	NUT		1	
195	532404137	TROU*RPLPAR 532401556428		1	
196	532402843	CONSOLE		1	
202	532403048	LIST		1	
203	532403076	LIST		1	
204	532198904	AIR CONDUCTOR		1	
205	532401709	LIST		1	
206	532401711	LIST		1	
207	532197198	LENS		1	
208	532197199	LENS		1	
209	532199130	INSERT		1	
210	532199131	INSERT		1	
211	532199132	INSERT		1	
212	532199133	INSERT		1	
213	874760512	BOLT		1	
214	532199145	CLIP		1	
217	532156524	SHAFT		1	
218	532196395	PLATE		1	
222	532137729	SCREW		1	
228	532195161	STUD		1	
234	532404742	DAMPING PIECE		1	
235	532406129	SPACER		1	
236	873930500	NUT		1	

REF.	PART NO.	DESCRIPTION	REMARK	QTY.	KIT
1	532403582	DECK SHELL		1	
6	532197248	MANDREL COVER(L.H.)		1	
7	532199102	MANDREL COVER(R.H.)		1	
8	532174365	BOLT		1	
11	532180054	BLADE		1	
--	532173921	BLADE		1	
12	532404851	ROD		1	
13	532187291	SHAFT		1	
14	532187281	BEARING HOUSING		1	
15	532110485	BEARING		1	
16	819131312	WASHER		1	
17	872110505	BOLT		1	
18	872140505	BOLT		1	
19	532194208	PIN		1	
20	532174378	BAFFLE		1	
21	873680500	NUT		1	
22	532174493	STRIPPER. MANDREL BLACK		1	
24	532105304	HUB CAP		1	
25	532178102	SPRING		1	
26	532110452	NUT		1	
27	532181707	SHIELD		1	
29	532131491	SHAFT		1	
30	532173984	SCREW		1	
31	532187690	WASHER		1	
32	532173435	PULLEY		1	
33	532400234	NUT		1	
39	532196104	PULLEY		1	
43	532196065	ARM		1	
46	532137729	SCREW		1	
47	532197242	BELT		1	
48	532196106	PULLEY		1	
49	873900600	NUT		1	
50	817490636	SCREW		1	
52	532177968	PULLEY		1	
54	872110612	BOLT		1	
97	532178515	WASHER		1	
98	532196105	SPRING		1	
113	872110508	BOLT		1	
114	532197451	TIGE DE TENSION		1	
116	532193406	BOLT		1	
117	532174873	WHEEL		1	
120	819132012	WASHER		1	
122	532187557	BUSHING		1	
185	873900700	NUT		1	
187	532195161	STUD		1	
188	873900500	NUT		1	
189	532195185	ARM		1	
190	532196539	BOLT		1	
194	872140716	BOLT		1	
--	532187292	MANDREL		1	
--	532401238	COMPLETE DECK 48 INCH		1	
	PART NO.		REMARK		KIT