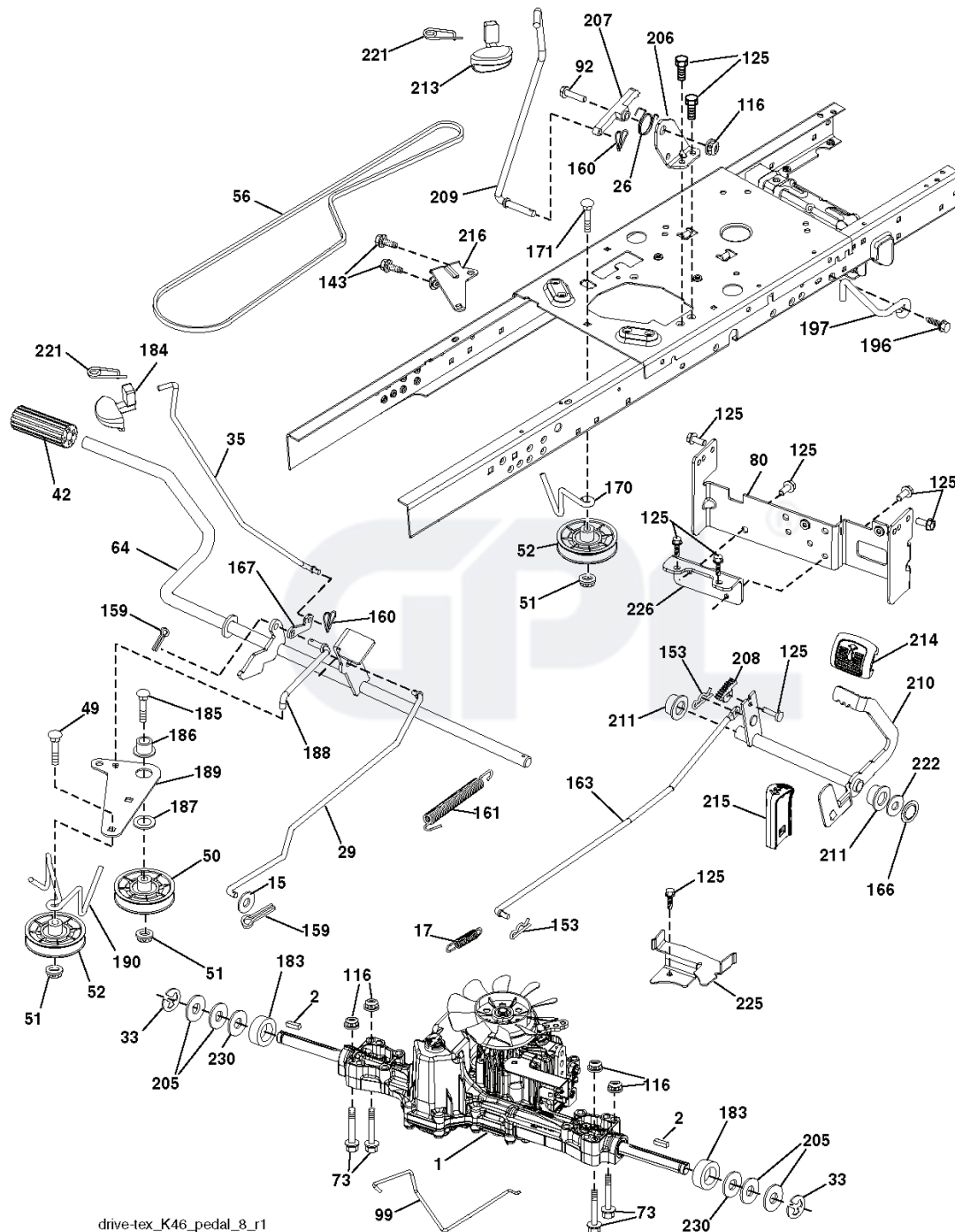


YTH2348, 96043008600, 2009-08



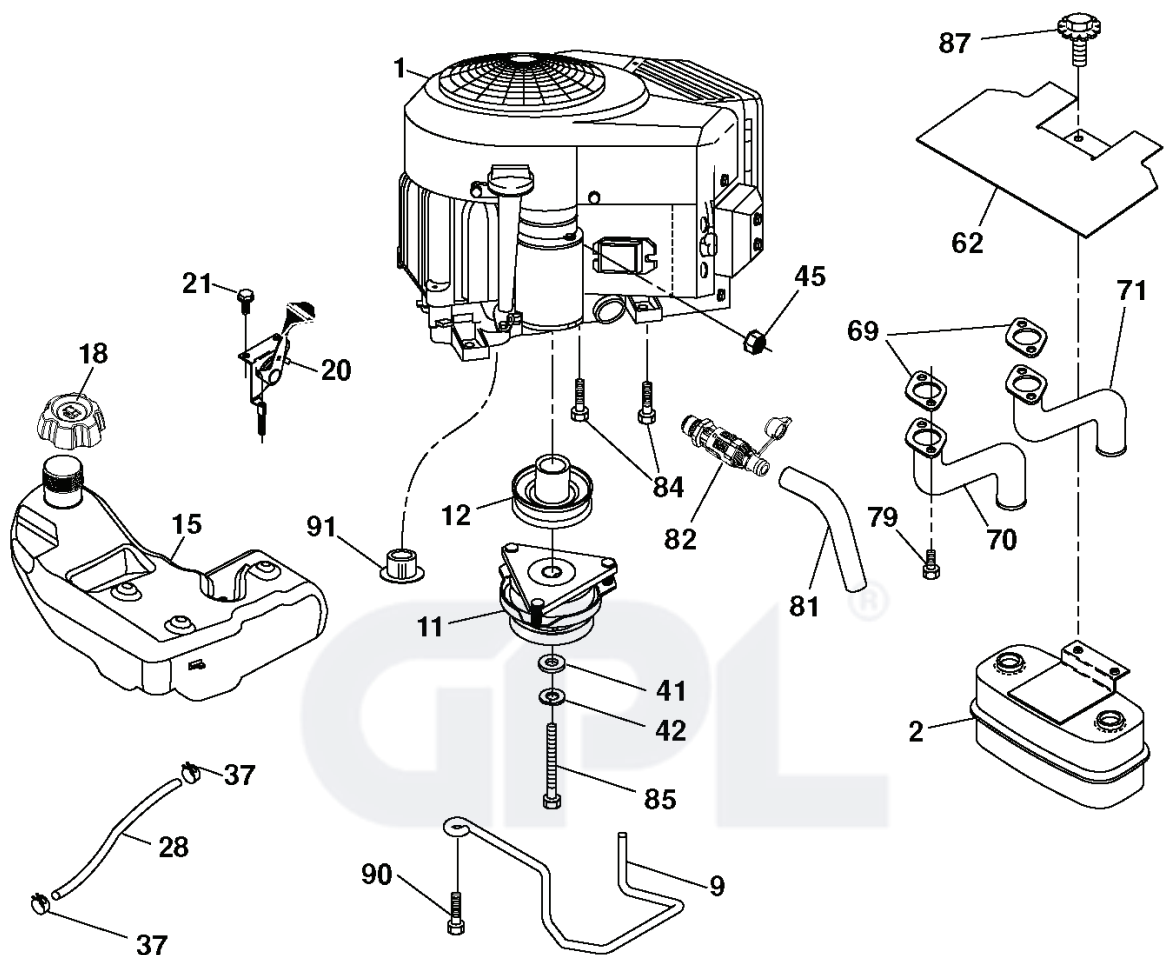
SPARE PARTS LIST

**TRACTOR - MODEL NO. YTH2348 (96043008600), PRODUCT NO. 960 43 00-86
DRIVE**



REF.	PART NO.	DESCRIPTION	REMARK	QTY.	KIT
1	532426120	TRANSAXLE		1	
2	532123583	KEY		1	
15	819131316	WASHER		1	
17	532413678	SRPING.BRAKE.K46.GREEN*SUBS/2*		1	
26	532199679	SPRING		1	
29	532403806	ROD		1	
33	812000001	RETAINER RING		1	
35	532199591	ROD		1	
42	532124872	PEDAL RUBBER		1	
49	872110614	BOLT		1	
50	532194327	PULLEY		1	
51	873900600	NUT		1	
52	532194326	PULLEY		1	
56	532130969	BELT		1	
64	532197865	SHAFT		1	
73	874490544	SCREW		1	
80	532410024	STRAP TORQUE		1	
92	874760520	BOLT		1	
99	532415742	ROD		1	
116	873900500	NUT		1	
125	817000512	SCREW		1	
143	817490508	SCREW		1	
153	532124788	RETAINER RING		1	
159	876020412	SPLIT PIN		1	
160	532169484	PIN		1	
161	532105709	SPRING		1	
163	532401034	ROD		1	
166	532428305	NUT		1	
167	532405257	LATCH		1	
170	532194322	KEEPER		1	
171	872110616	BOLT		1	
183	532137057	SPACER		1	
184	532403118	CONTROL		1	
185	872110622	BOLT		1	
186	532194321	SPACER		1	
187	819133210	WASHER		1	
188	532194323	LINK		1	
189	532194317	PLATE		1	
190	532194318	BELT GUIDE		1	
196	817000616	SCREW		1	
197	532195804	BRACKET		1	
205	532121748	WASHER		1	
206	532197867	BRACKET		1	
207	532197868	LATCH		1	
208	532197869	SUPPORT		1	
209	532199592	ROD		1	
210	532400980	PEDAL ARM		1	
211	532120183	BEARING		1	
213	532403119	CONTROL		1	
214	532421263	PAD		1	
215	532401723	PEDAL		1	
216	532196131	BRACKET		1	
221	532403187	SPRING		1	
222	879212010	WASHER		1	
225	532403319	BELT GUIDE		1	
226	532401564	BRACKET		1	
230	532188967	WASHER		1	

TRACTOR - MODEL NO. YTH2348 (96043008600), PRODUCT NO. 960 43 00-86
ENGINE



29

SPARK ARRESTER KIT

engine-tex_bs-2cyl_50

REF.	PART NO.	DESCRIPTION	REMARK	QTY.	KIT
1				1	
2	532149723	MUFFLER		1	
9	532194320	BELT GUIDE		1	
11	532400008	CLUTCH		1	
12	532405097	PULLEY		1	
15	532400021	FUEL TANK		1	
18	532194267	FUEL CAP		1	
20	532423502	CONTROL		1	
21	532416358	SCREW		1	
28	532401135	LINE.FUEL.64'REAR.EMIS		1	
29	532137180	SPARK ARRESTER KIT		1	
37	532123487	HOSE CLAMP		1	
41	532126197	WASHER		1	
42	810040700	WASHER		1	
45	873510400	NUT		1	
62	532146629	HEAT SHIELD		1	
69	532165391	GASKET		1	
70	532159955	TUBE	LH	1	
71	532160589	TUBE	RH	1	
79	532183906	SCREW		1	
81	532148456	TUBE		1	
82	532428287	PLUG		1	
84	817060620	SCREW		1	
85	532173937	BOLT		1	
87	532171877	BOLT		1	
90	817000616	SCREW		1	
91	532187495	BUSHING		1	

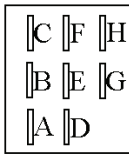
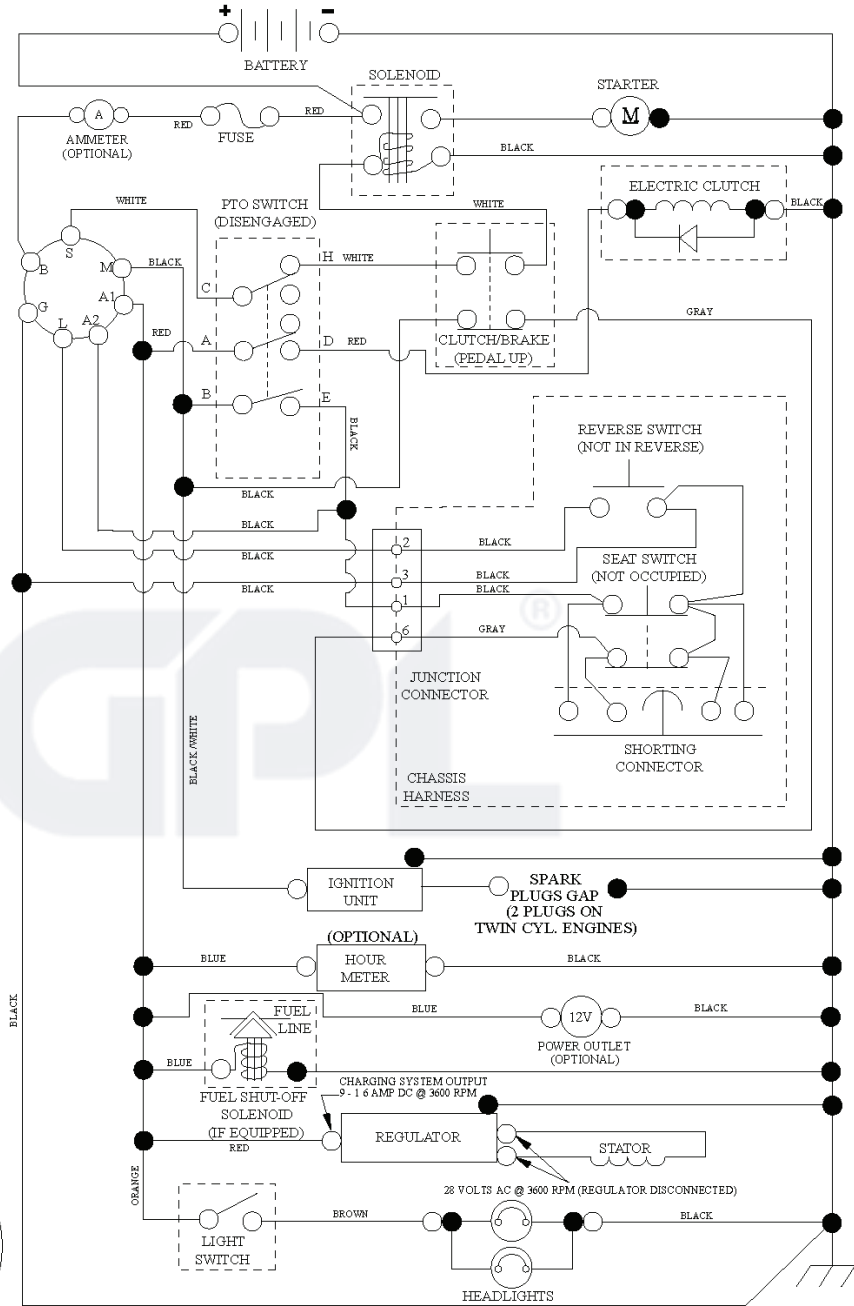


REF.	PART NO.	DESCRIPTION	REMARK	QTY.	KIT
1	532403582	DECK SHELL		1	
6	532197248	MANDREL COVER(L.H.)	LH	1	
7	532199102	MANDREL COVER(R.H.)	RH	1	
8	532193003	SCREW		1	
11	532180054	BLADE		1	
11	532173921	BLADE		1	
12	532404851	ROD		1	
13	532187291	SHAFT		1	
14	532187281	BEARING HOUSING		1	
15	532110485	BEARING		1	
16	819131312	WASHER		1	
17	872110505	BOLT		1	
18	872140505	BOLT		1	
19	532194208	PIN		1	
20	532174378	BAFFLE		1	
21	873680500	NUT		1	
22	532174493	STRIPPER. MANDREL BLACK		1	
24	532105304	HUB CAP		1	
25	532178102	SPRING		1	
26	532110452	NUT		1	
27	532181707	SHIELD		1	
29	532131491	SHAFT		1	
30	532173984	SCREW		1	
31	532187690	WASHER		1	
32	532153532	PULLEY		1	
33	532400234	NUT		1	
39	532197380	PULLEY		1	
43	532196065	ARM		1	
46	532137729	SCREW		1	
47	532197242	BELT		1	
48	532197379	PULLEY		1	
49	873900600	NUT		1	
50	817490636	SCREW		1	
52	532193197	PULLEY		1	
54	872110612	BOLT		1	
97	532178515	WASHER		1	
98	532196105	SPRING		1	
113	872110508	BOLT		1	
114	532197451	TIGE DE TENSION		1	
116	532193406	BOLT		1	
117	532174873	WHEEL		1	
120	819132012	WASHER		1	
122	532187557	BUSHING		1	
185	873900700	NUT		1	
187	532195161	STUD		1	
188	873900500	NUT		1	
189	532195185	ARM		1	
190	532196539	BOLT		1	
194	872140716	BOLT		1	
241	532152927	SCREW		1	
242	532415598	HOSE COUPLING		1	
	532187292	MANDREL	"Includes housing, shaft assembly, and bearing only - pulley/nut/washer and blade bolt/washers not included"	1	
	532401238	COMPLETE DECK 48 INCH	NOT SHOWN	1	

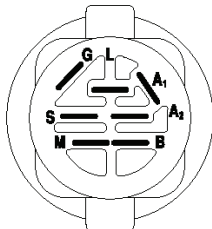
TRACTOR - MODEL NO. YTH2348 (96043008600), PRODUCT NO. 960 43 00-86

SCHEMATIC

SCH12

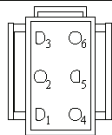


PTO SWITCH
(MATING SIDE)

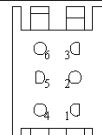


IGNITION SWITCH

POSITION	CIRCUIT	"MAKE"
OFF	M+G+A1	
RUN/OVERRIDE	B+A1	
RUN	B+A1	L+A2
START	B + S + A1	



CHASSIS HARNESS
CONNECTOR
(MATING SIDE)



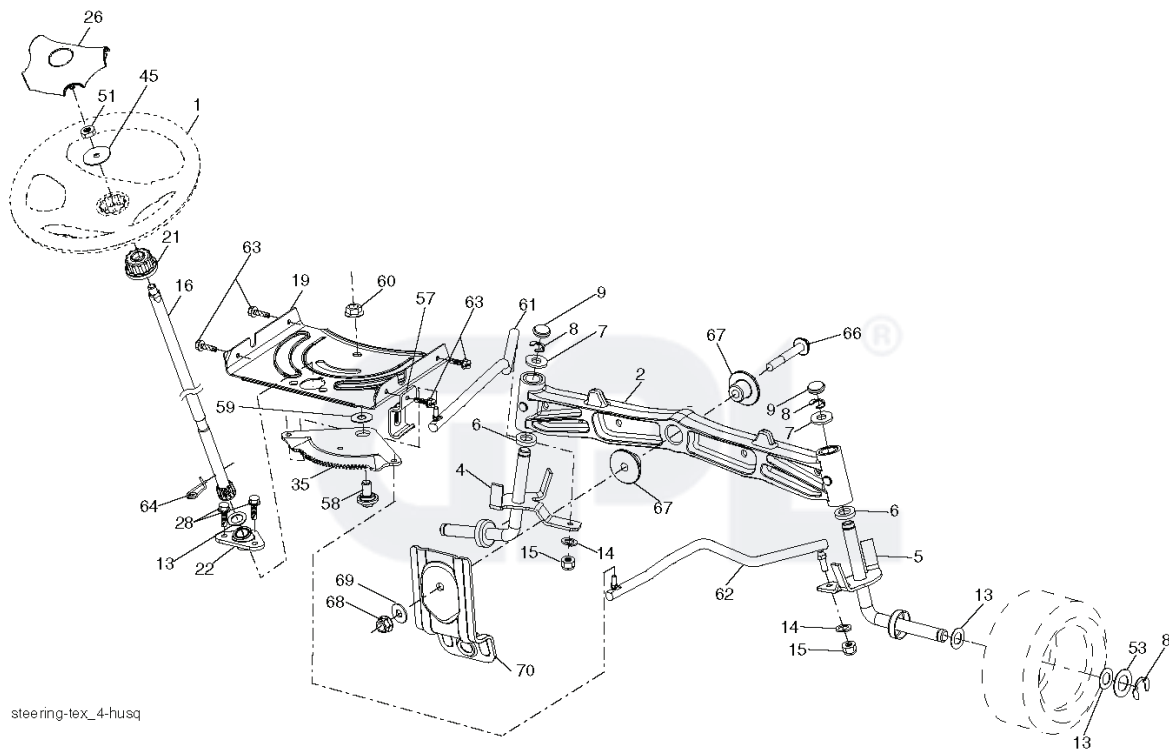
DASH HARNESS
CONNECTOR

WIRING INSULATED CLIPS
NOTE: IF WIRING INSULATED
CLIPS WERE REMOVED FOR
SERVICING OF UNIT, THEY
SHOULD BE RE-INSTALLED TO
PROPERLY SECURE YOUR
WIRING.

●
NON-REMOVABLE
CONNECTIONS

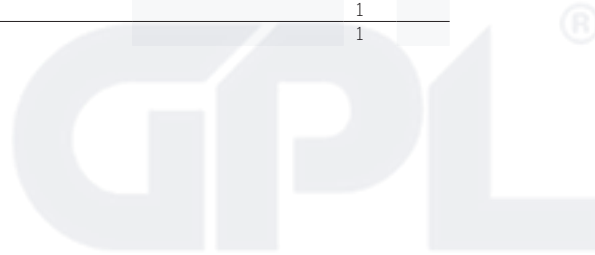
○
REMOVABLE
CONNECTIONS

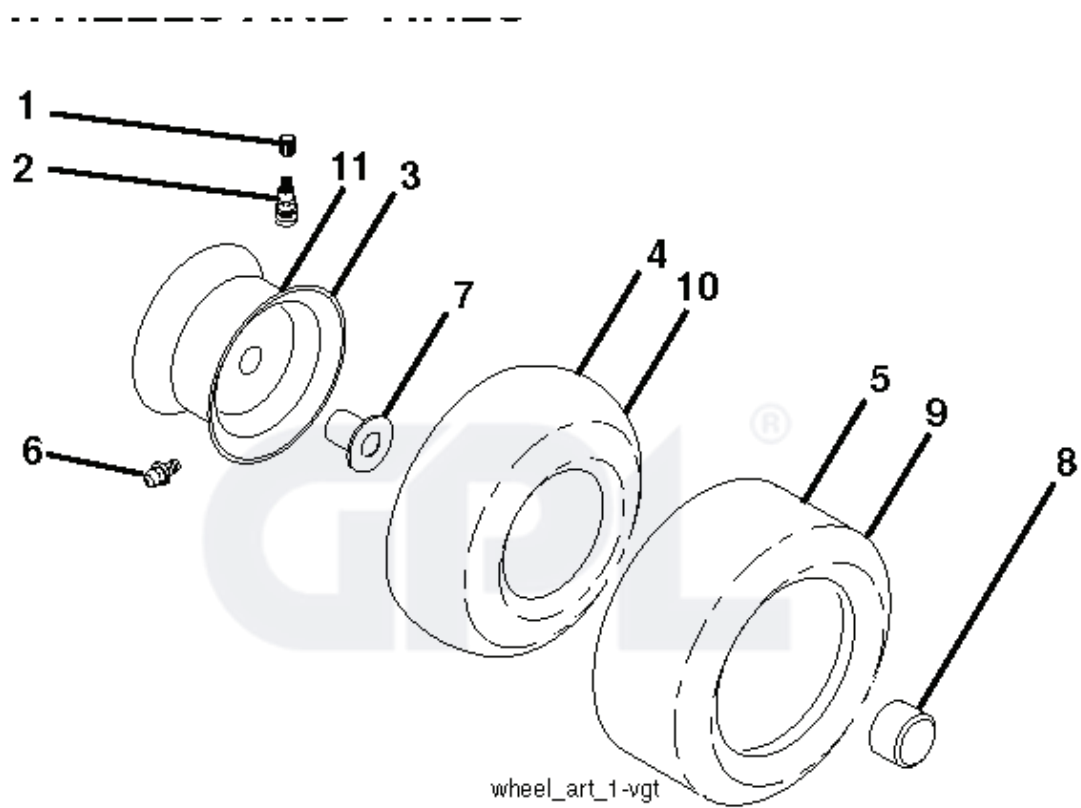
TRACTOR - MODEL NO. YTH2348 (96043008600), PRODUCT NO. 960 43 00-86
STEERING ASSEMBLY



steering-tex_4-husq

REF.	PART NO.	DESCRIPTION	REMARK	QTY.	KIT
1	532416480	STEERING WHEEL		1	
2	532195968	SHAFT		1	
4	532403087	SPINDLE	LH	1	
5	532403088	SPINDLE	RH	1	
6	532124931	WASHER		1	
7	532121748	WASHER		1	
8	812000029	RETAINER RING		1	
9	532121232	HUB CAP		1	
13	532121749	WASHER		1	
14	810040600	WASHER		1	
15	873540600	NUT		1	
16	532408219	SHAFT		1	
19	532194729	PLATE		1	
21	532186737	ADAPTER		1	
22	532420537	SUPPORT		1	
26	532415987	KNOB		1	
28	817000612	SCREW		1	
35	532194732	PLATE		1	
45	819183812	WASHER		1	
51	873940800	NUT		1	
53	532188967	WASHER		1	
57	532197246	BRACKET		1	
58	532194747	BOLT		1	
59	532194748	WASHER		1	
60	873971000	NUT		1	
61	532194740	LINK		1	
62	532194741	LINK		1	
63	817000512	SCREW		1	
64	532199849	SPRING RETAINER		1	
66	871020748	BOLT		1	
67	532194737	BUSHING		1	
68	873900700	NUT		1	
69	532199162	WASHER		1	
70	532196197	BRACKET		1	

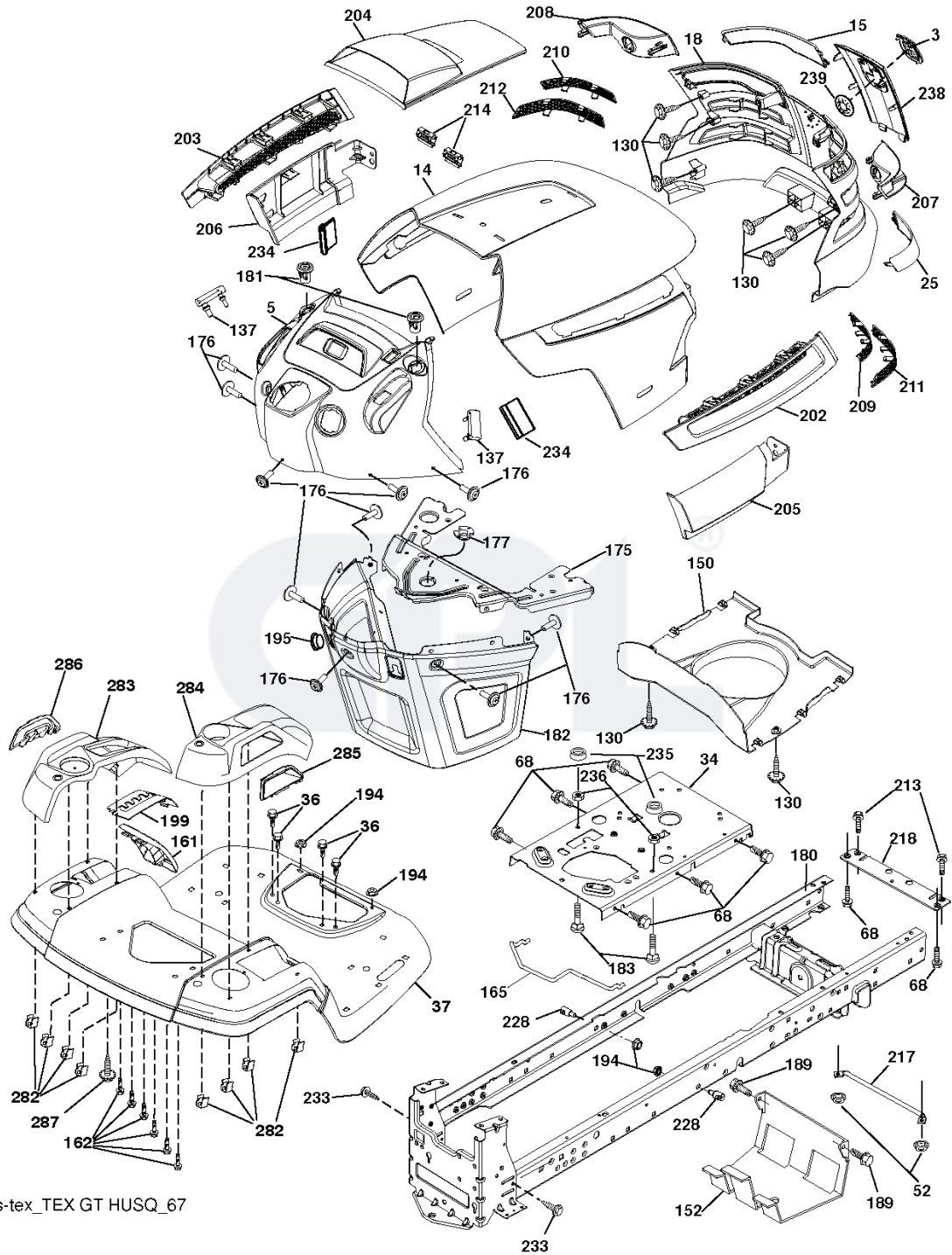




REF.	PART NO.	DESCRIPTION	REMARK	QTY.	KIT
1	532059192	CAP VALVE		1	
2	532065139	NIPPLE		1	
3	532138336	RIM		1	
4	532059904	HOSE	SERVICE ITEM ONLY	1	
5	532106222	TIRE		1	
6	532124957	FITTING	FRONT WHEEL ONLY	1	
7	532124959	BEARING	FRONT WHEEL ONLY	1	
8	532175039	HUB CAP	FRONT WHEEL ONLY	1	
9	532138468	TIRE		1	
10	532124926	HOSE	SERVICE ITEM ONLY	1	
11	532138337	RIM SPROCKET		1	
	532144334	SEALING FOAM	"NOT SHOWN, 10 oz. Tube"	1	

GPL®

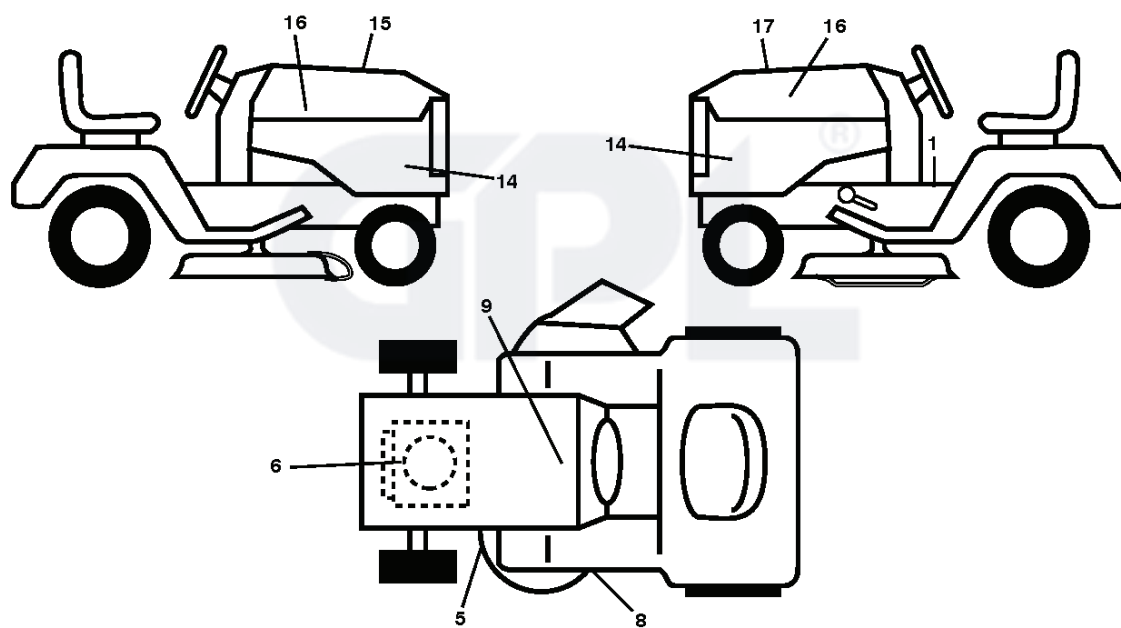
**TRACTOR - MODEL NO. YTH2348 (96043008600), PRODUCT NO. 960 43 00-86
CHASSIS**



chassis-tex_TEX GT HUSQ_67

REF.	PART NO.	DESCRIPTION	REMARK	QTY.	KIT
3	532405012	LOGOTYPE		1	
5	532408700	DASH		1	
14	532411046	HOOD		1	
15	532198907	LENS	LH	1	
18	532408607	FRONT COVER		1	
25	532198906	LENS	RH	1	
34	532196125	PLATE		1	
36	817060512	SCREW		1	
37	532423694	FENDER		1	
52	873680500	NUT		1	
68	817490508	SCREW		1	
130	532416358	SCREW		1	
137	532407590	DAMPING PIECE		1	
150	532198512	BRACKET		1	
152	532199535	SHIELD		1	
161	532409627	CONSOLE		1	
162	532142432	SCREW		1	
165	532196826	BRACKET		1	
175	532196304	SUPPORT		1	
176	532400776	SCREW		1	
177	532195227	BUSHING		1	
180	532195457	CHASSIS		1	
181	532403025	BUSHING		1	
182	532406859	DASH		1	
183	874780520	BOLT		1	
189	817000512	SCREW		1	
194	873900500	NUT		1	
195	532404137	TROU*RPLPAR 532401556428		1	
199	532413485	PLATE		1	
202	532403048	LIST	RH	1	
203	532403076	LIST	LH	1	
204	532416613	COVER		1	
205	532401709	LIST	RH	1	
206	532401711	LIST	LH	1	
207	532197198	LENS	RH	1	
208	532197199	LENS	LH	1	
209	532199130	INSERT	RH	1	
210	532199131	INSERT	LH	1	
211	532199132	INSERT	RH	1	
212	532199133	INSERT	LH	1	
213	874760512	BOLT		1	
214	532199145	CLIP		1	
217	532409167	ROD		1	
218	532196395	PLATE		1	
228	532195161	STUD		1	
233	532196539	BOLT		1	
234	532404742	DAMPING PIECE		1	
235	532406129	SPACER		1	
236	873930500	NUT		1	
238	532408606	PLATE		1	
239	532110452	NUT		1	
282	532414110	CLIP		1	
283	532413491	CONSOLE		1	
284	532413490	CONSOLE		1	
285	532416315	CONSOLE	RH	1	
286	532416317	CONSOLE	LH	1	
287	817600406	SCREW		1	

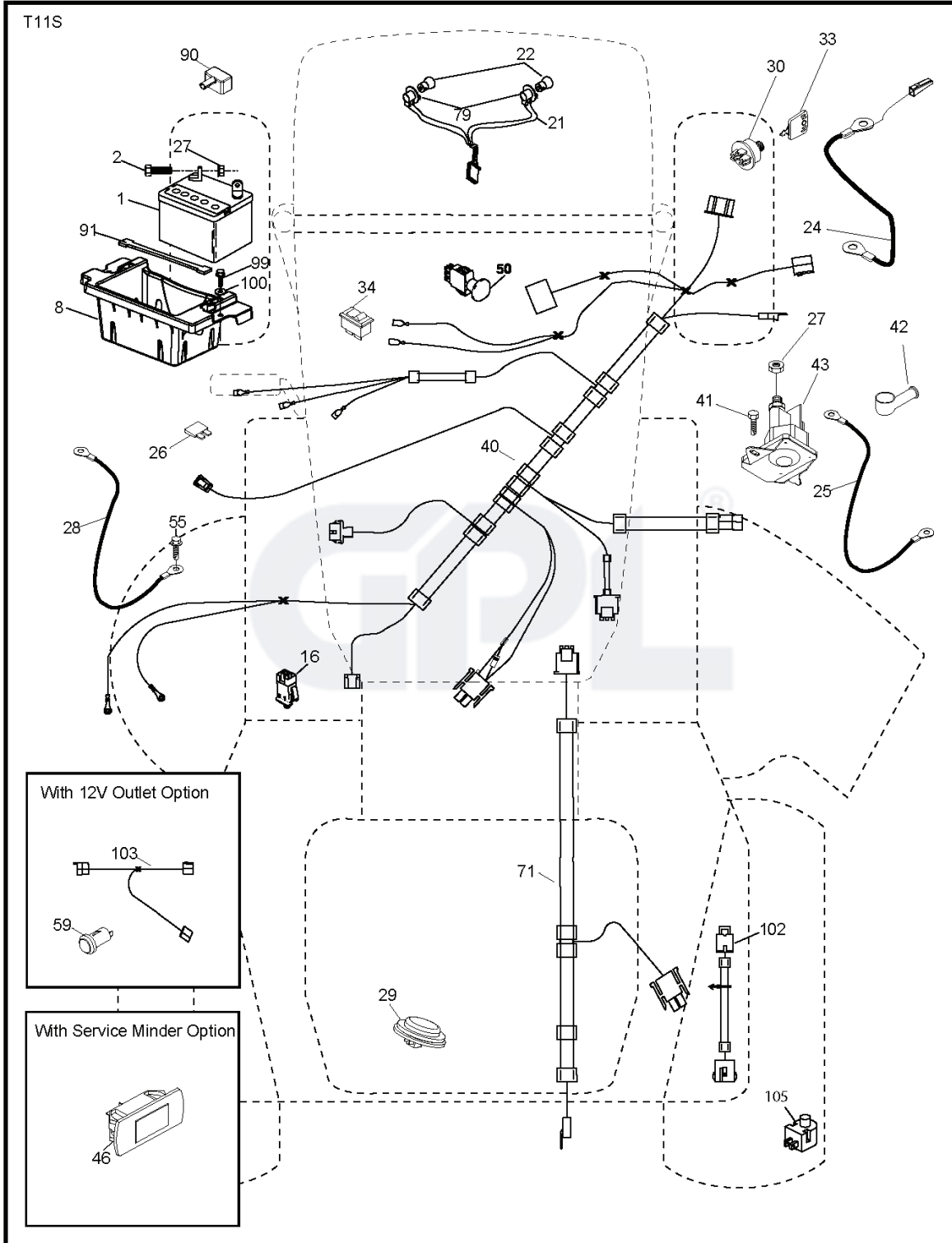
TRACTOR - MODEL NO. YTH2348 (96043008600), PRODUCT NO. 960 43 00-86
DECALS



REF.	PART NO.	DESCRIPTION	REMARK	QTY.	KIT
1	532411658	DECAL		1	
5	532178455	DECAL		1	
6	532429557	DECAL		1	
8	532198785	LABEL		1	
9	532145005	DECAL		1	
14	532410055	DECAL		1	
15	532423829	DECAL		1	
16	532424789	DECAL		1	
17	532430523	DECAL		1	
	532166960	DECAL	NOT SHOWN	1	
	532410805	PAD	"NOT SHOWN, LH"	1	
	532410806	PAD, FOOTREST, RH	"NOT SHOWN, RH"	1	



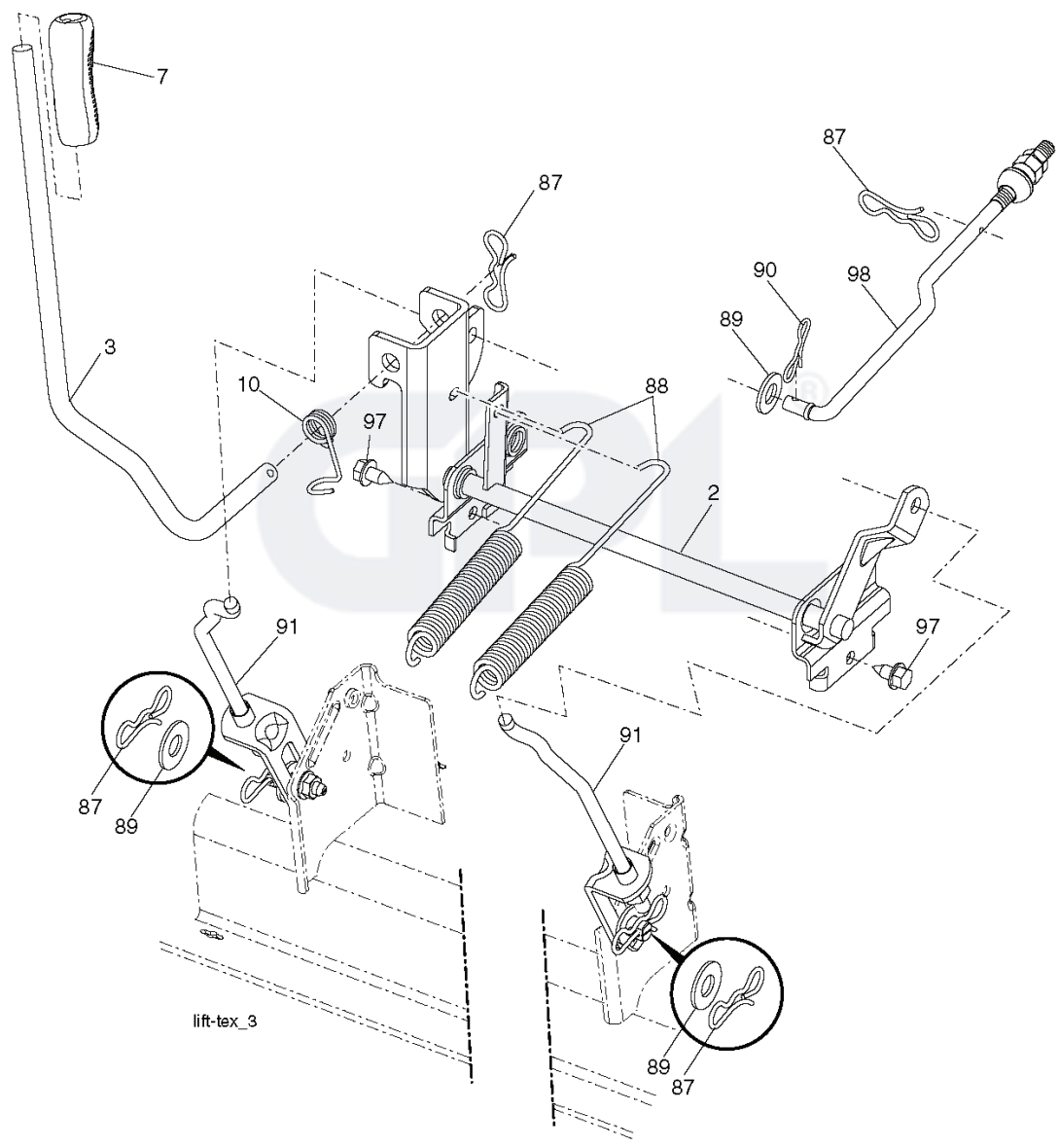
**TRACTOR - MODEL NO. YTH2348 (96043008600), PRODUCT NO. 960 43 00-86
ELECTRICAL**



REF.	PART NO.	DESCRIPTION	REMARK	QTY.	KIT
1	532163465	BATTERY		1	
2	874760412	BOLT		1	
8	532186491	BOX		1	
16	532176138	MICRO SWITCH		1	
21	532183759	HARNESS		1	
22	532004152	BULB		1	
24	532400253	CABLE		1	
25	532412895	CABLE.STARTER.6G.BL/RE*SUBS/2*		1	
26	532175158	FUSE		1	
27	873510400	NUT		1	
28	532145491	CABLE		1	
29	532401545	SWITCH		1	
30	532193350	IGNITION MODULE		1	
33	532411933	KEY		1	
34	532110712	SWITCH		1	
40	532401104	CABLE ASSY		1	
41	817720408	SCREW		1	
42	532131563	COVER		1	
43	532192507	SOLENOID		1	
46	532401763	DISPLAY		1	
50	532196112	SWITCH		1	
55	817060512	SCREW		1	
71	532194276	CABLE ASSY		1	
79	532175242	HOLDER		1	
90	532400724	COVER		1	
91	532190270	STRAP BATTERY MOUNT FRO		1	
99	817670412	SCREW		1	
100	819091416	WASHER		1	
102	532404454	CABLE		1	
105	532407568	SWITCH		1	



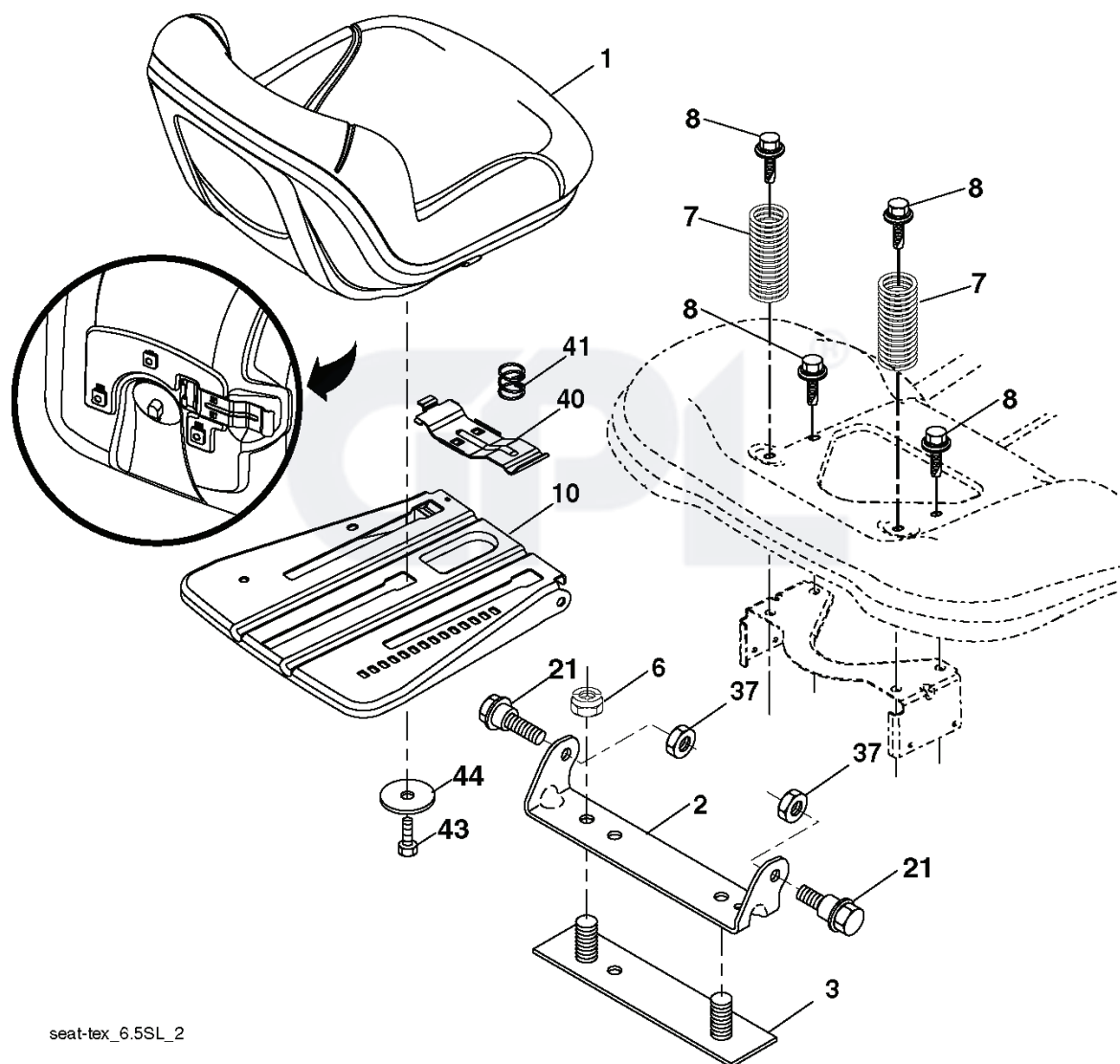
TRACTOR - MODEL NO. YTH2348 (96043008600), PRODUCT NO. 960 43 00-86
MOWER LIFT



REF.	PART NO.	DESCRIPTION	REMARK	QTY.	KIT
2	532422027	SHAFT		1	
3	532195231	LEVER		1	
7	532411742	GRIP		1	
10	532196314	SPRING		1	
87	532194209	SPRING		1	
88	532410710	SPRING		1	
89	819191912	WASHER		1	
90	532194208	PIN		1	
91	532195181	LINK		1	
97	817000612	SCREW		1	
98	532195264	LINK		1	



TRACTOR - MODEL NO. YTH2348 (96043008600), PRODUCT NO. 960 43 00-86
SEAT ASSEMBLY



seat-tex_6.5SL_2

REF.	PART NO.	DESCRIPTION	REMARK	QTY.	KIT
1	532424068	SEAT		1	
2	532180166	BRACKET		1	
3	532140675	STRAP		1	
6	873800600	NUT		1	
7	532124181	SPRING		1	
8	532171877	BOLT		1	
10	532196977	PLATE		1	
21	532171852	BOLT		1	
37	873800500	LOCK NUT		1	
40	532197661	HANDLE		1	
41	532198200	SPRING		1	
43	874760612	BOLT		1	
44	819133812	WASHER		1	
	PART NO.		REMARK		KIT

