

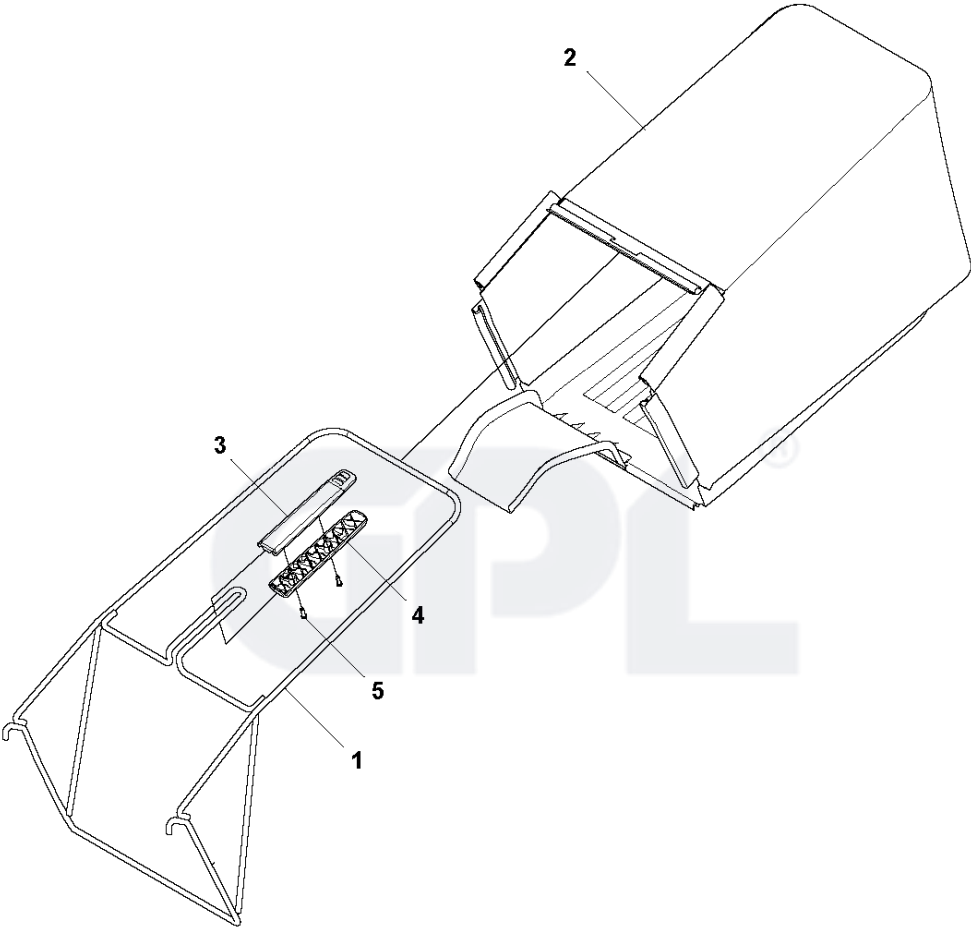


# SPARE PARTS LIST

LAWN MOWERS: CONSUMER  
WALK-BEHINDS

LC551 SP, 967343201

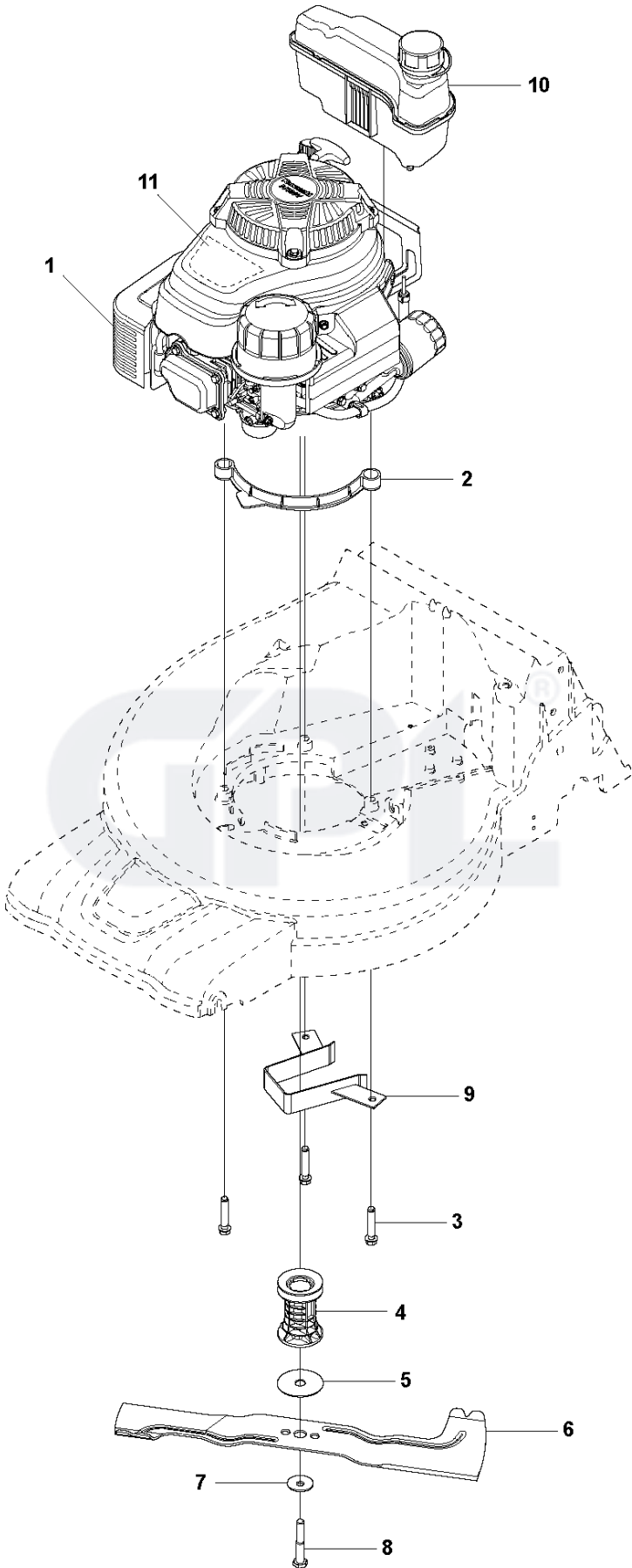
**D** LC451S LC551SP  
COLLECT PARTS



Ref	Part No	Description	Remark	QTY KIT
1	587 19 70-01	BAG FRAME		1
2	587 19 71-01	BAG		1
3	588 18 84-02	HANDLE		1
4	588 18 85-02	HANDLE		1
5	502 43 53-01	SCREW ITPANT		2



**C** LC551SP  
Engine

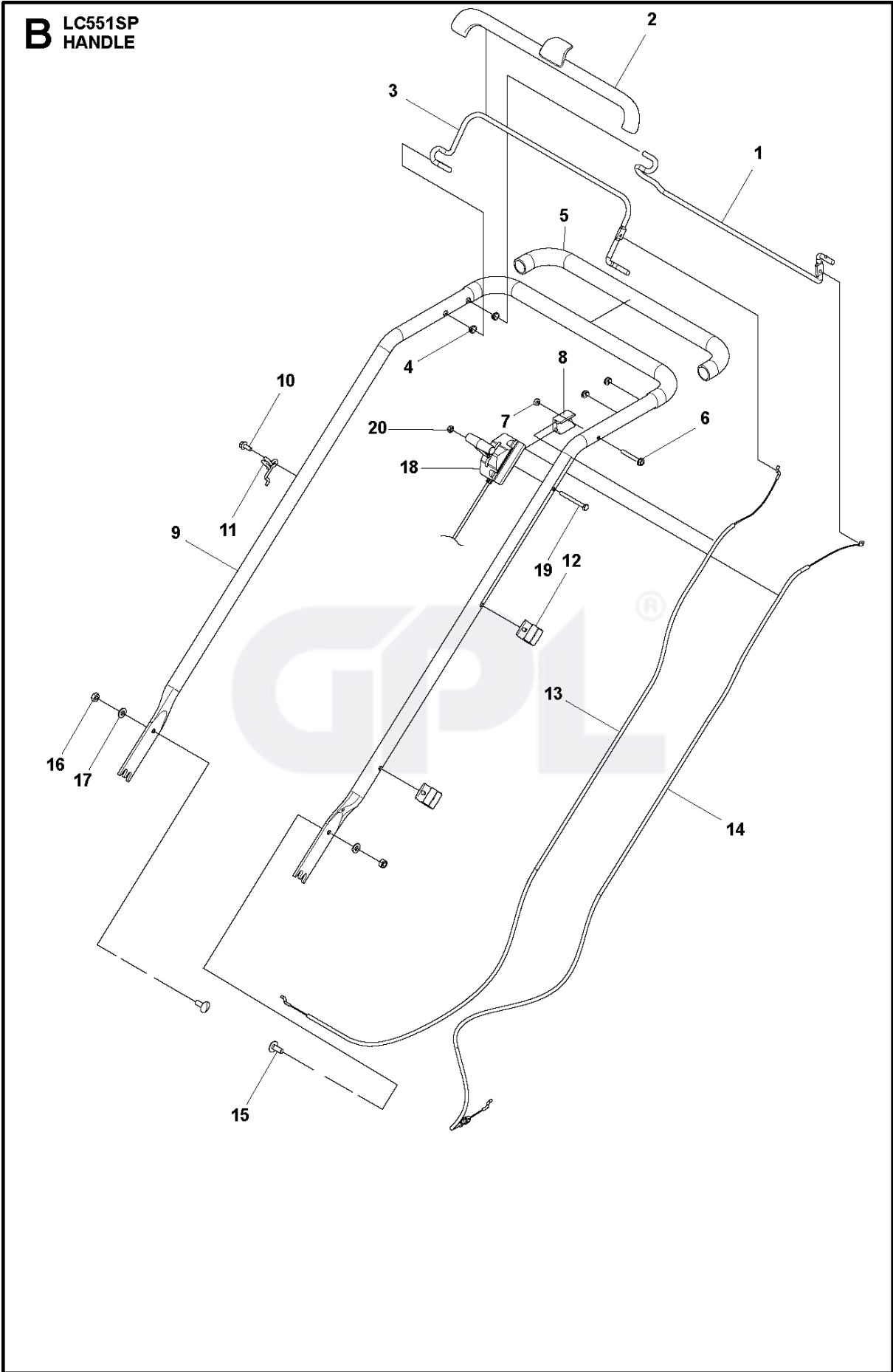


## ENGINE

LC551 SP, 967343201

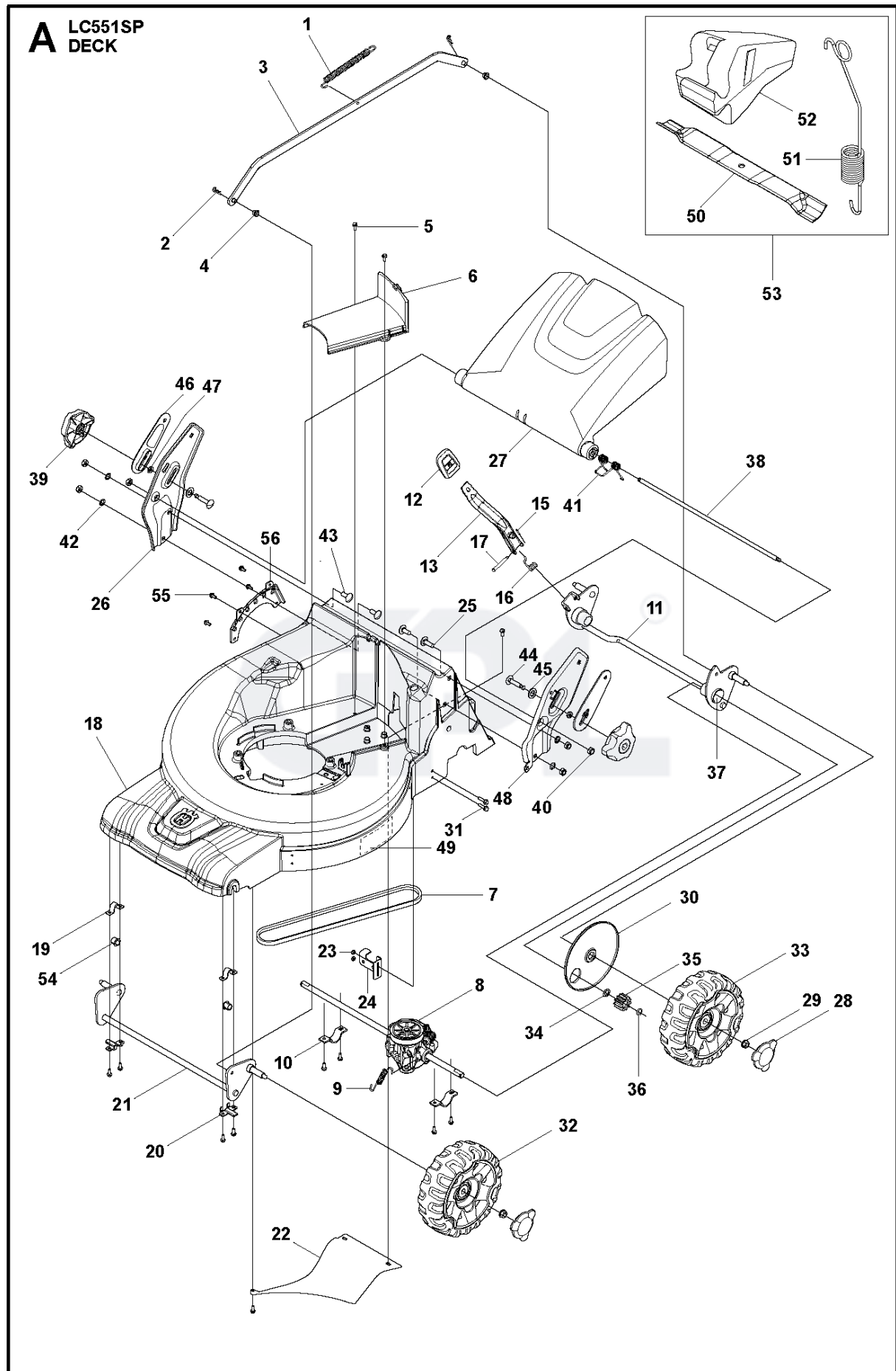
Ref	Part No	Description	Remark	QTY KIT
1	588 62 55-01	ENGINE ASSY	Kawasaki engine FJ180V	1
2	531 20 63-08	PAWL		1
3	531 21 38-45	SCREW		3
4	588 64 57-01	BLADE SUPPORT		1
5	503 25 94-01	WASHER		1
6	587 59 08-10	MOWER BLADE		1
7	503 33 25-01	SPRING		1
8	504 45 64-03	SCREW EHHI		1
9	544 46 86-01	BELT GUIDE		1
10	587 31 41-01	TANK ASSY		1
11	588 99 31-01	DECAL		1

The logo for GPL (Gardena Power Lawn) is displayed in a large, light gray font. It consists of the letters 'GPL' in a bold, sans-serif typeface. A registered trademark symbol (®) is located to the upper right of the letter 'L'.



Ref	Part No	Description	Remark	QTY KIT
1	587 10 18-02	BAIL		1
2	587 10 25-02	GRIP		1
3	587 10 17-02	BAIL		1
4	503 32 09-01	BUSHING		4
5	501 11 01-01	TUBE		1
6	725 23 79-51	SCREW EHHM		1
7	732 25 16-01	HEXAGON LOCKING NUT		1
8	531 20 80-43	BRACKET		1
9	587 19 74-02	HANDLE		1
10	725 23 68-61	SCREW EHHFT		1
11	587 10 27-01	EYELET		1
12	579 13 46-01	CABLE HOLDER		2
13	588 20 48-01	CABLE		1
14	588 20 48-04	CABLE		1
15	588 87 75-01	SCREW		2
16	732 21 18-01	LOCK NUT		2
17	734 11 64-01	WASHER		2
18	588 44 65-01	CONTROL LEVER		1
19	725 23 82-51	SCREW EHHM		1
20	732 25 16-01	HEXAGON LOCKING NUT		1







## MOWER DECK / CUTTING DECK

LC551 SP, 967343201

Ref	Part No	Description	Remark	QTY	KIT
1	531 20 57-15	SPRING		1	
2	531 20 66-53	PIN		2	
3	587 19 85-01	ROD		1	
4	501 62 25-01	BUSHING		2	
5	531 20 73-85	SCREW		13	
6	531 21 32-25	COVER		1	
7	587 63 05-01	BELT		1	
8	587 78 05-02	GEARBOX ASSY		1	
9	586 91 94-01	SPRING		1	
10	531 20 66-52	SUPPORT		2	
11	587 19 80-02	AXLE		1	
12	581 74 67-01	KNOB		1	
13	581 17 86-02	LEVER ASSY		1	
15	587 19 84-01	PIN		1	
16	583 95 13-02	SPRING		1	
17	587 19 82-01	PEN		1	
18	587 19 75-04	CHASSIS		1	
19	501 07 89-01	SUPPORT		2	
20	591 16 26-01	SUPPORT		2	
21	587 19 81-01	AXLE		1	
22	501 96 60-01	DEFLECTOR		1	
23	732 25 14-01	HEXAGON LOCKING NUT		2	
24	588 27 65-01	STOP		1	
25	531 20 49-21	SCREW		1	
26	587 19 67-02	HANDLE SUPPORT		1	
27	587 19 72-01	HATCH		1	
28	584 15 94-01	NUT CAP		4	
29	504 85 78-01	NUT		4	
30	587 19 79-01	DUST COVER		2	
31	725 23 31-51	SCREW		2	
32	587 64 49-01	WHEEL ASSY		2	
33	589 85 98-01	WHEEL ASSY		2	
34	577 09 28-01	WASHER		2	
35	544 34 23-01	PINION		2	
36	531 20 87-72	WASHER		2	
37	584 40 46-01	BALL BEARING		2	
38	587 19 73-01	ROD		1	
39	587 23 72-01	KNOB		2	
40	732 21 18-01	LOCK NUT		6	
41	501 32 25-01	SPRING		1	
42	734 11 64-01	WASHER		4	
43	588 87 75-01	SCREW		3	
44	588 15 73-01	BOLT		2	
45	588 15 74-01	WASHER		2	
46	587 78 04-01	WASHER		2	
47	731 43 18-01	HEXAGON THIN NUT		2	
48	587 19 68-02	HANDLE SUPPORT		1	
49	584 80 53-01	LABEL		2	
50	589 57 22-20	MOWER BLADE		1	53
51	531 20 58-31	SPRING		1	53
52	531 21 32-26	PLUG		1	53
53	589 21 49-01	MULCH KIT		1	
54	590 37 36-01	BUSHING		2	
55	531 20 78-56	SCREW		4	
56	589 93 49-01	HEIGHT ADJUSTER		1	