

R145

Spare parts

Ersatzteile

Pièces détachées

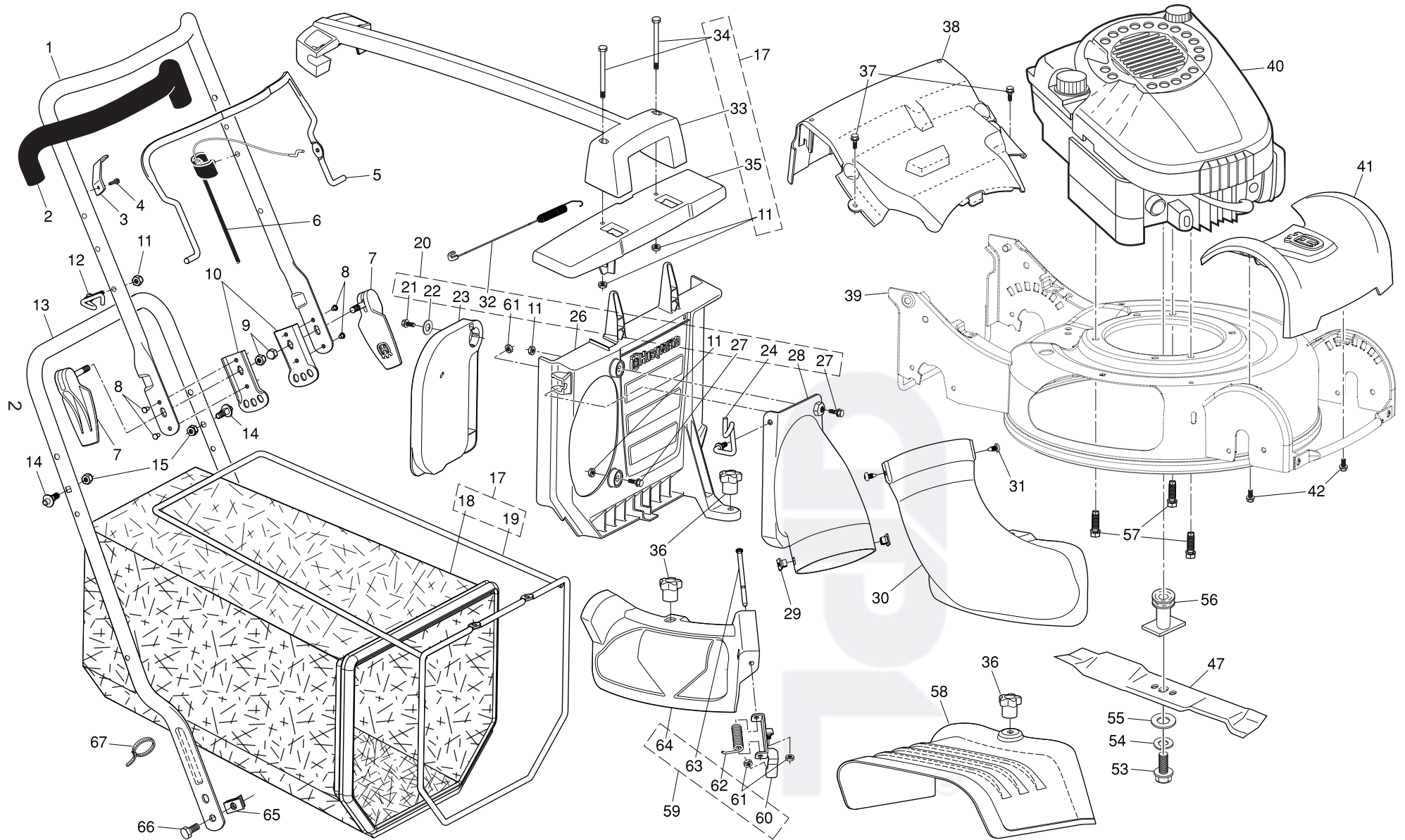
Reserve onderdelen

Repuestos

Reservdelar

GPL®

ROTARY LAWN MOWER - - MODEL NUMBER R145 (96131002100) PRODUCT NO. 961 41 00-21

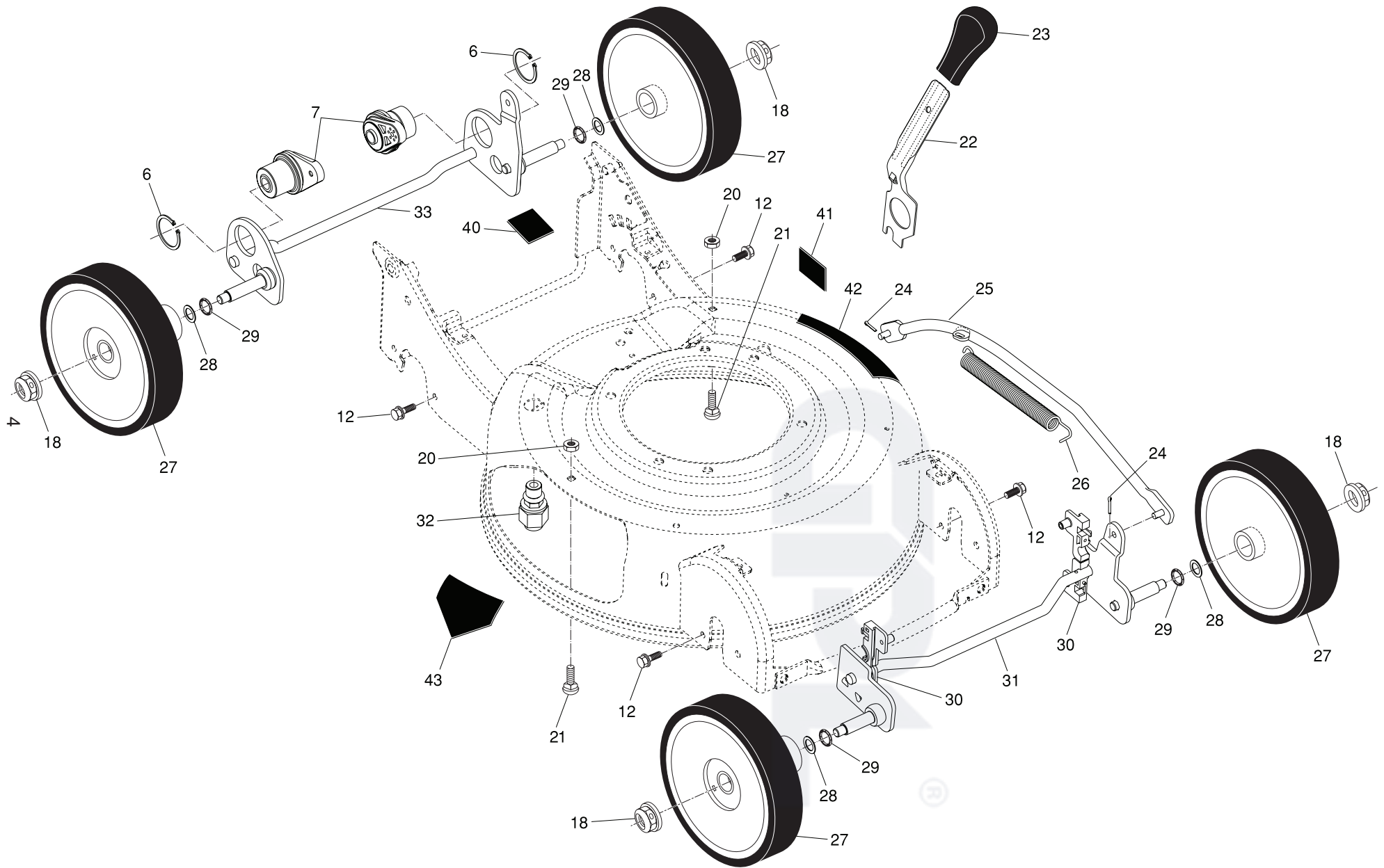


ROTARY LAWN MOWER - - MODEL NUMBER **R145** (96131002100) PRODUCT NO. 961 41 00-21

KEY NO.	PART NO.	DESCRIPTION	KEY NO.	PART NO.	DESCRIPTION	KEY NO.	PART NO.	DESCRIPTION
1	532 40 06-04	Upper Handle Assembly (Includes Foam Grip)	21	532 16 34-09	Screw, Hi-Lo Thread 1/8 x 5/8	41	532 41 35-14	Front Cover
2	532 18 63-62	Grip, Foam	22	532 05 38-47	Washer, Flat 1/4	42	532 19 41-89	Screw, Hex Washer Head 1/8-16 x 5/8
3	532 08-68-99	Upstop Bracket	23	532 41 35-08	Chute, Rear Door	47	532 19 92-43	Blade
4	532 75 06-34	Screw, Threaded, Rolled #10-24 x 1/2	24	532 40 86-52	Rope Guide, Rear Door	53	532 19 17-60	Bolt, Hex Head 3/8-24 x 2-1/2
5	532 18 62-98	Control Bar	26	532 12 52-03	Rear Door	54	532 85 02-63	Washer, Helical
6	532 19 77-40	Cable, Operator Presence	27	532 18 35-18	Bolt, Shoulder 5/16	55	532 85 10-74	Washer, Hardened
7	532 41 35-07	Quick Release Assembly	28	532 41 35-10	Upper Chute	56	532 19 92-49	Blade Adapter
8	532 19 96-97	Rivet	29	532 19 97-27	Grommet 1/4	57	532 15 04-06	Bolt, Engine, Dogpoint 3/8-16
ω 9	532 40 04-13	Nut, Acorn	30	532 41 35-11	Lower Chute	58	532 41 35-17	Discharge Guard
10	532 41 35-34	Bracket, Quick Release	31	532 19 98-55	Screw, T-30 1/4-20 x 1/2	59	532 40 03-46	Mulcher Door Assembly
11	532 13 20-04	Nut, Hex, Zinc-Plated, Black 1/4-20	32	532 40 14-02	Spring, Rear Door	60	532 19 92-68	Hinge Bracket Assembly
12	532 19 47-88	Rope Guide, Upper Handle	33	532 41 35-36	Handle, Grass Catcher	61	532 19 17-30	Nut, Hex, Flangelock 1/4-20
13	532 41 35-35	Lower Handle	34	871 09 04-48	Screw 1/4-20 x 3	62	532 18 34-46	Spring, Mulcher Door
14	532 19 92-55	Stud, Adjustment	35	532 41 35-12	Adapter, Grass Catcher	63	532 18 34-45	Rod, Hinge
15	532 75 11-53	Nut, Hex 5/16-18	36	532 18 34-47	Knob	64	532 41 35-18	Mulcher Door
17	532 40 01-36	Grass Catcher Assembly	37	532 19 94-22	Screw, Hex Washer Head 1/4-20 x 1/2	65	532 40 40-08	Speed Nut
18	532 19 92-73	Grass Bag	38	532 41 35-13	Drive Cover	66	532 85 09-99	Bolt, Hex Head 3/8-16 x 1-1/4
19	532 19 92-78	Frame, Grass Bag	39	532 41 08-13	Lawn Mower Housing	67	532 06 64-26	Wire Tie
20	532 40 01-35	Chute Assembly	40	---	Engine, Briggs & Stratton, Model Number 12F802-1970-B1 (Order parts from Engine manufacturer)	--	532 40 86-02	Manual, Operator's, European
						--	532 40 86-03	Manual, Operator's, Scandinavian
						--	532 41 34-14	Manual, Operator's, Baltic

NOTE: All component dimensions given in U.S. inches. 1 inch = 25.4 mm. **IMPORTANT:** Use only Original Equipment Manufacturer (O.E.M.) replacement parts. Failure to do so could be hazardous, damage your lawn mower and void your warranty.

ROTARY LAWN MOWER - - MODEL NUMBER R145 (96131002100) PRODUCT NO. 961 41 00-21



ROTARY LAWN MOWER - - MODEL NUMBER **R145** (96131002100) PRODUCT NO. 961 41 00-21

KEY NO.	PART NO.	DESCRIPTION
6	812 00 00-12	Ring, Retaining
7	532 19 92-45	Bearing, Drive
12	532 16 34-09	Screw, Hi-Lo Thread 1/8 x 5/8
18	532 08 39-23	Nut, Hex
20	873 51 04-00	Locknut 1/4-20
21	872 11 04-07	Bolt, Carriage
22	532 41 35-19	Height Adjustment Lever, Rear
23	532 19 92-69	Knob, Height Adjustment Lever
24	532 70 02-79	Retainer Spring
25	532 19 93-10	Height Adjustment Lever, Front
26	532 40 96-16	Spring

KEY NO.	PART NO.	DESCRIPTION
27	532 41 08-31	Wheel & Tire Assembly, Front
28	532 08 83-48	Washer, Flat
29	532 19 74-80	O-Ring
30	532 41 35-20	Bearing Assembly, Front Axle
31	532 41 35-21	Axle Assembly, Front
32	532 40 00-94	Fitting, Quick Release
33	532 41 38-49	Axle Assembly, Rear
40	532 19 97-31	Decal, Noise Level
41	532 15 97-36	Decal, Hot Muffler
42	532 19 99-12	Decal, Warning
43	532 18 21-66	Decal, Danger

NOTE: All component dimensions given in U.S. inches. 1 inch = 25.4 mm. **IMPORTANT:** Use only Original Equipment Manufacturer (O.E.M.) replacement parts. Failure to do so could be hazardous, damage your lawn mower and void your warranty.