



# R145 SV

**Spare parts**

**Ersatzteile**

**Pièces détachées**

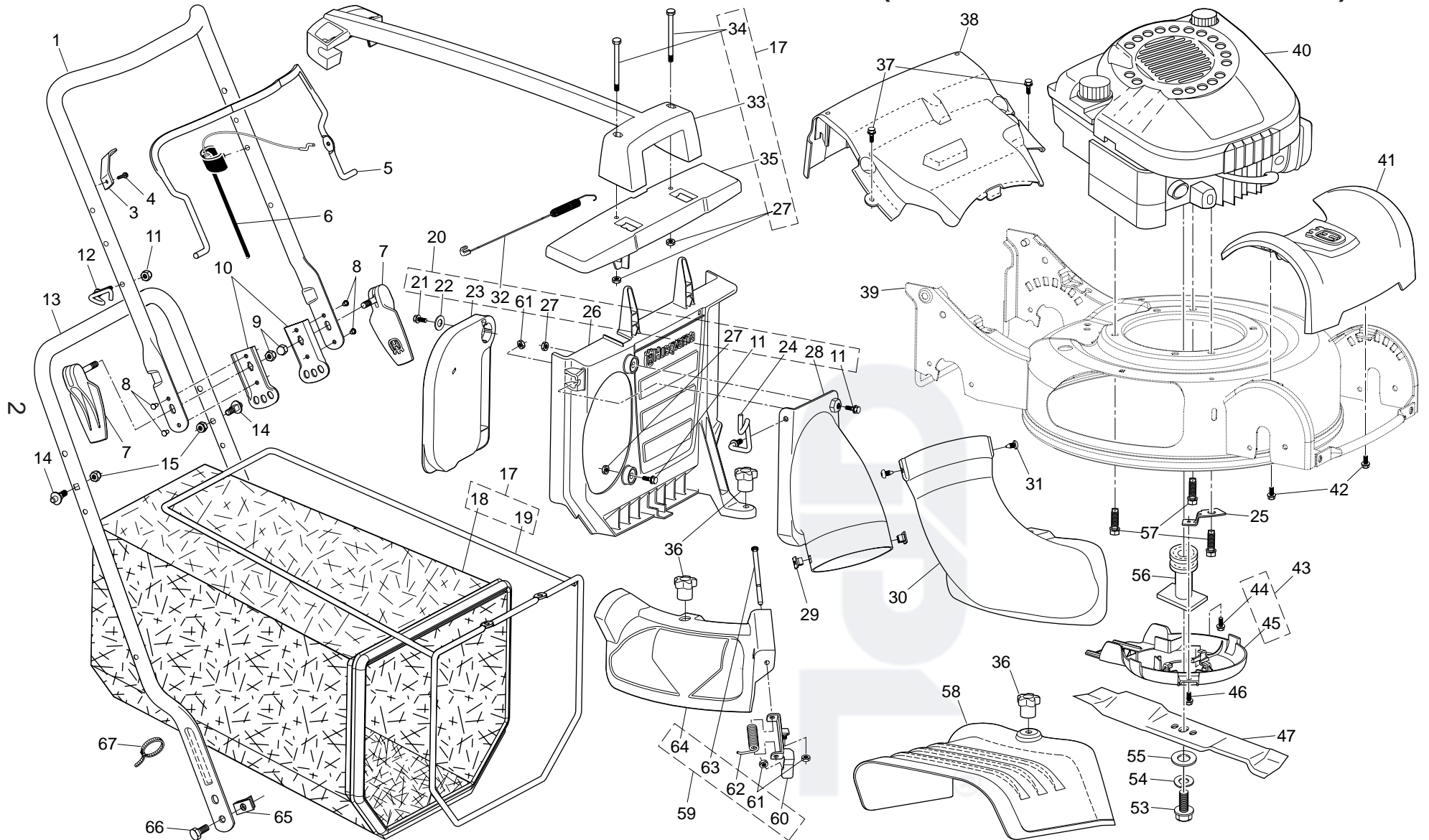
**Reserve onderdelen**

**Repuestos**

**Reservdelar**

**GPL**®

# ROTARY LAWN MOWER -- MODEL NUMBER R 145SV (MFG. ID. NUMBER 96141013104)



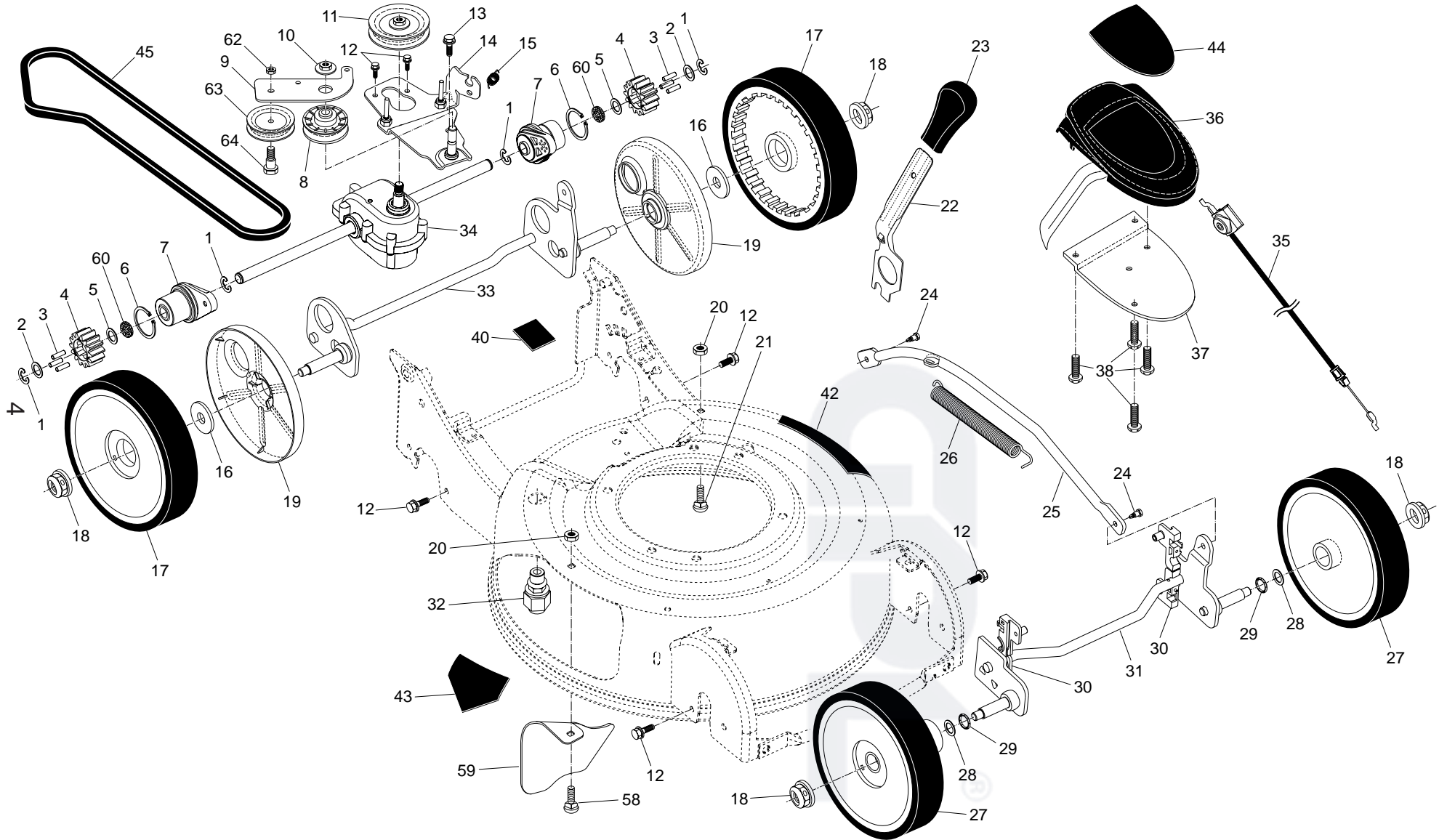
# ROTARY LAWN MOWER - - MODEL NUMBER R 145SV (MFG. ID. NUMBER 96141013104)

KEY NO.	PART NO.	DESCRIPTION	KEY NO.	PART NO.	DESCRIPTION	KEY NO.	PART NO.	DESCRIPTION
1	532 19 98-87	Upper Handle	25	532 19 09-39	Bracket, Debris Shield	43	532 40 12-16	Debris Shield Assembly
3	<b>532 43 00-34</b>	Upstop Bracket	26	532 41 35-09	Rear Door	44	532 08 86-52	Screw, Hinge 1/4-20 x 1/2
4	532 75 06-34	Screw, Threaded, Rolled #10-24 x 1/2	27	532 13 20-04	Nut, Hex, Zinc-Plated, Black 1/4-20	45	532 41 35-15	Debris Shield
5	<b>532 42 68-12</b>	Control Bar	28	532 41 35-10	Upper Chute	46	532 19 23-25	Screw, Hex Washer Head
6	532 42 59-23	Cable, Engine Zone Control	29	532 19 97-27	Grommet 1/4	47	532 19 92-43	Blade
7	<b>532 43 06-79</b>	Quick Release Assembly	30	532 41 35-11	Lower Chute	53	532 19 17-60	Bolt, Hex Head 3/8-24 x 2-1/2
8	532 19 96-97	Rivet	31	532 19 98-55	Screw, T-30 1/4-20 x 1/2	54	532 85 02-63	Washer, Helical
9	532 40 04-13	Nut, Acorn	32	532 40 14-02	Spring, Rear Door	55	532 85 10-74	Washer, Hardened
10	532 41 35-34	Bracket, Quick Release	33	532 41 35-36	Handle, Grass Catcher	56	532 18 67-66	Blade Adapter / Pulley
11	532 40 13-69	Bolt, Shoulder 5/16	34	871 09 04-48	Screw 1/4-20 x 3	57	532 15 04-06	Bolt, Engine, Dogpoint 3/8-16
ω 12	532 19 47-88	Rope Guide, Upper Handle	35	532 41 35-12	Adapter, Grass Catcher	58	532 42 51-30	Discharge Guard
13	532 41 35-35	Lower Handle	36	532 18 34-47	Knob	59	532 40 93-14	Mulcher Door Assembly
14	532 19 92-55	Stud, Adjustment	37	532 19 94-22	Screw, Hex Washer Head 1/4-20 x 1/2	60	532 19 92-68	Hinge Bracket Assembly
15	532 75 11-53	Nut, Hex 5/16-18	38	532 41 35-13	Drive Cover	61	532 19 17-30	Nut, Hex, Flangelock 1/4-20
17	532 40 01-36	Grass Catcher Assembly	39	532 41 38-02	Lawn Mower Housing	62	532 18 34-46	Spring, Mulcher Door
18	532 19 92-73	Grass Bag	40	- - -	Engine, Briggs & Stratton, Model Number 124T02-1232-B1 (Order parts from Engine manufacturer)	63	532 18 34-45	Rod, Hinge
19	532 19 92-78	Frame, Grass Bag	41	532 41 35-14	Front Cover	64	532 41 35-18	Mulcher Door
20	532 40 01-35	Chute Assembly	42	532 19 41-89	Screw, Hex Washer Head 1/8-16 x 5/8	65	532 40 40-08	Speed Nut
21	532 16 34-09	Screw, Hi-Lo Thread 1/8 x 5/8				66	532 85 09-99	Bolt, Hex Head 3/8-16 x 1-1/4
22	532 05 38-47	Washer, Flat 1/4				67	532 06 64-26	Wire Tie
23	532 41 35-08	Chute, Rear Door				--	532 40 85-67	Manual, Operator's, European
24	532 40 86-52	Rope Guide, Rear Door				--	532 40 85-68	Manual, Operator's, Scandinavian
						--	532 41 44-70	Manual, Operator's, East Bloc
						--	532 41 34-13	Manual, Operator's, Baltic

**NOTE:** All component dimensions given in U.S. inches. 1 inch = 25.4 mm.

**IMPORTANT:** Use only Original Equipment Manufacturer (O.E.M.) replacement parts. Failure to do so could be hazardous, damage your lawn mower and void your warranty.

# ROTARY LAWN MOWER - - MODEL NUMBER R 145SV (MFG. ID. NUMBER 96141013104)



# ROTARY LAWN MOWER - - MODEL NUMBER R 145SV (MFG. ID. NUMBER 96141013104)

KEY NO.	PART NO.	DESCRIPTION	KEY NO.	PART NO.	DESCRIPTION
1	812 00 00-58	E-Ring	23	532 16 76-53	Knob, Height Adjustment Lever
2	532 05 70-79	Washer, Hardened	24	532 40 70-59	Screw, Semi-Gimlett Point
3	532 17 00-11	Pawl	25	<b>532 43 18-15</b>	Rod, Height Adjustment
4	532 16 64-50	Gear, Pinion	26	532 40 96-16	Spring
5	532 05 21-60	Washer, Flat	27	532 41 08-31	Wheel & Tire Assembly, Front
6	812 00 00-12	Ring, Retaining	28	532 08 83-48	Washer, Flat
7	532 40 01-34	Bearing, Drive	29	532 19 74-80	O-Ring
8	532 19 37-91	Pulley, Idler	30	532 41 35-20	Bearing Assembly, Front Axle
9	<b>532 42 11-01</b>	Arm, Idler	31	532 41 40-71	Axle Assembly, Front
10	532 40 91-49	Locknut, Hex	32	532 40 00-94	Fitting, Quick Release
11	532 19 34-43	Drive Pulley	33	532 41 40-73	Axle Assembly, Rear
12	532 16 34-09	Screw, Hi-Lo Thread 1/8 x 5/8	34	532 19 92-31	Gear Case Assembly
13	817 06 04-10	Screw, Hex Washer Head 1/4-20 x 1/16	35	532 40 15-53	Cable, Drive Control
14	532 40 11-13	Belt Guide Bracket Assembly	36	<b>532 42 56-63</b>	Drive Control Assembly
15	532 19 41-24	Spring, Return	37	532 40 07-23	Plate, Rear, Drive Control
16	532 06 77-25	Washer, Flat 3/8	38	532 18 16-98	Screw #8 x 1/16
17	532 41 10-81	Wheel & Tire Assembly, Rear, Driven	40	532 19 97-31	Decal, Noise Level
18	532 40 91-48	Nut, Hex	42	532 19 99-12	Decal, Warning
19	532 18 94-03	Dust Cover	43	532 18 21-66	Decal, Danger
20	532 40 01-00	Locknut 1/4-20	45	532 19 92-25	V-Belt
21	872 11 04-07	Bolt, Carriage	60	532 08 81-18	Washer, Felt
22	532 41 35-19	Height Adjustment Lever	62	<b>873 93 05-00</b>	Nut, Hex 5/16-18
			63	<b>532 16 60-43</b>	Pulley, Idler
			64	<b>532 16 08-29</b>	Bolt, Hex Head 5/16-18

**NOTE:** All component dimensions given in U.S. inches. 1 inch = 25.4 mm.

**IMPORTANT:** Use only Original Equipment Manufacturer (O.E.M.) replacement parts. Failure to do so could be hazardous, damage your lawn mower and void your warranty.