

R52S

Spare parts

Ersatzteile

Pièces détachées

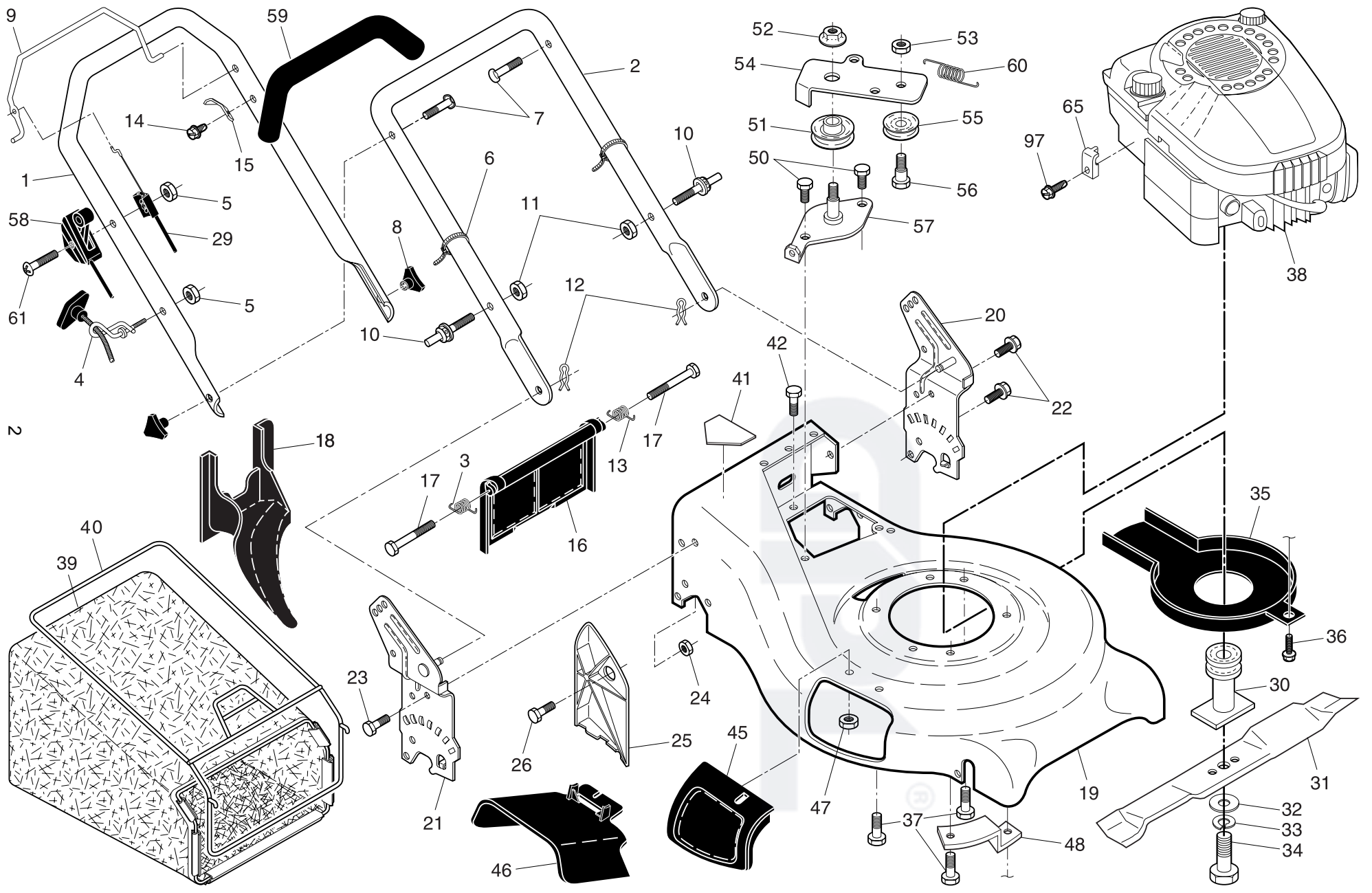
Reserve onderdelen

Repuestos

Reservdelar

GPL®

ROTARY LAWN MOWER - - MODEL NUMBER R52S (96141006001) PRODUCT NUMBER 961 41 00-60



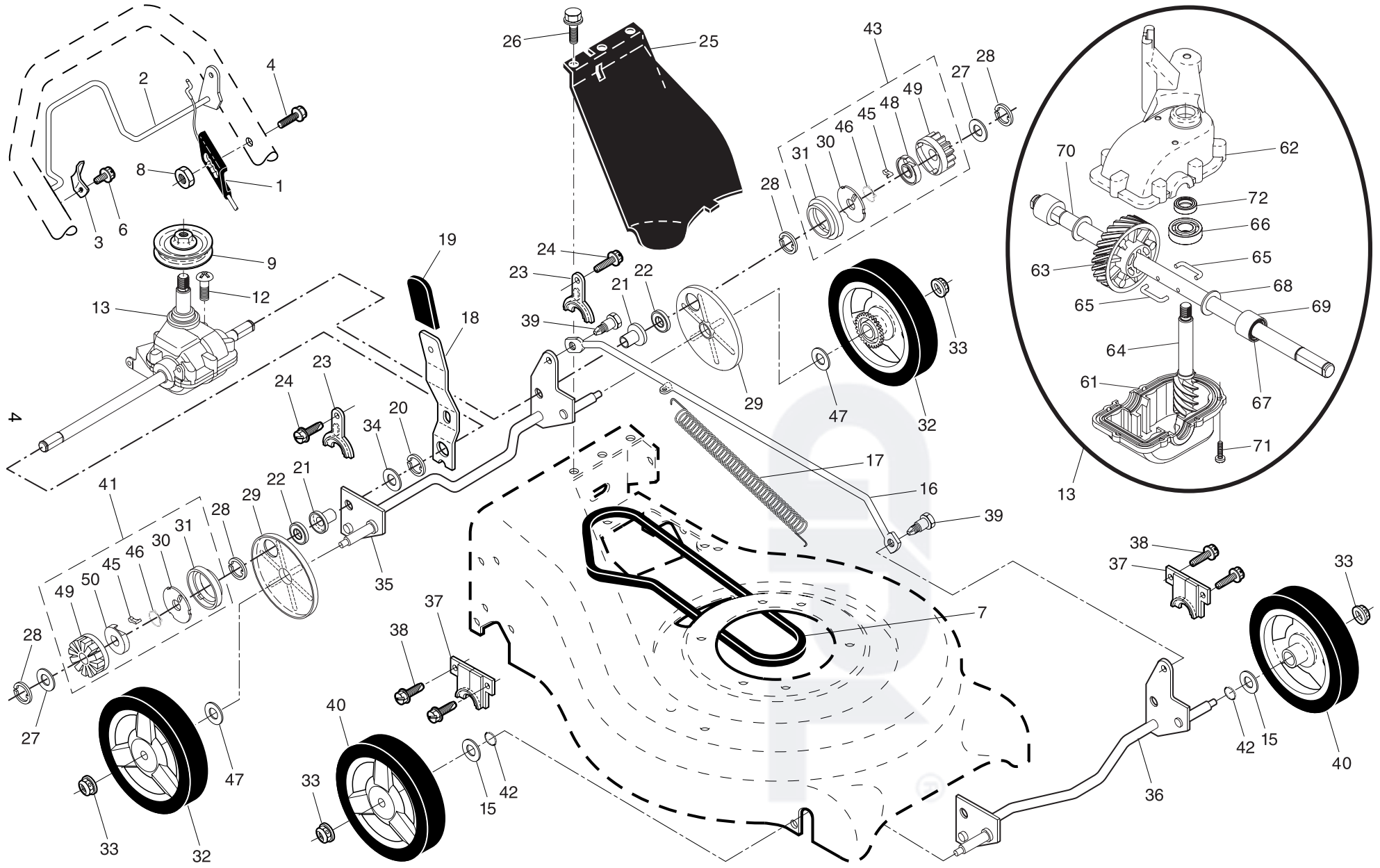
ROTARY LAWN MOWER - - MODEL NUMBER R52S (96141006001) PRODUCT NUMBER 961 41 00-60

KEY NO.	PART NO.	DESCRIPTION	KEY NO.	PART NO.	DESCRIPTION
1	532 16 93-69	Handle, Upper, Deluxe Comfort (Includes Grip)	35	532 18 87-86	Shield, Debris
2	532 19 72-02	Handle, Lower	36	532 19 23-25	Screw
3	532 40 54-16	Spring, Rear Door, RH	37	532 15 04-06	Bolt, Engine, Special, Zinc-Plated
4	532 19 47-88	Guide, Rope, Side	38	- - -	Engine, Briggs & Stratton, Model Number 12H802 (Order parts from engine manufacturer)
5	532 13 20-04	Nut, Hex, with Lock Washer Insert 1/4-20	39	532 40 20-18	Grassbag
6	532 06 64-26	Wire, Tie	40	532 19 46-44	Frame, Grassbag
7	532 19 15-74	Bolt, Handle 5/16-18 x 1.75	41	532 18 21-66	Decal, Danger
8	532 08 76-92	Knob, Handle	42	532 05 45-83	Self-Tapping Screw
9	532 41 10-83	Control Bar, Wire, Deluxe Comfort	45	532 19 05-10	Mulcher Door Assembly
10	532 18 88-21	Bolt, Carriage	46	532 19 05-12	Discharge Deflector
11	873 93 05-00	Nut, Hex, with Lock Washer Insert 5/16-18 UNC	47	532 08 83-49	Nut, Hex
12	532 05 17-93	Cotter, Hairpin	48	532 19 09-39	Mounting Bracket, Debris Shield
13	532 40 54-15	Spring, Rear Door, LH	50	532 05 78-08	Screw
14	532 75 06-34	Screw, Tapping, Hex Washer Head #10-24	51	532 19 37-91	Pulley, Idler
15	532 12 51-62	Bracket, Upstop	52	532 14 52-12	Nut, Hex, Flanged
16	532 40 88-88	Rear Door Assembly	53	532 15 55-52	Locknut, Hex
17	532 18 41-93	Bolt, Rear Door	54	532 19 68-12	Arm, Idler
18	532 19 81-70	Plug, Mulcher	55	532 16 60-43	Pulley, Idler
19	532 40 08-05	Kit, Lawn Mower Housing	56	532 16 08-29	Bolt, Shoulder
20	532 19 40-29	Handle Bracket Assembly, Left	57	532 19 33-15	Idler Bracket Assembly
21	532 19 40-31	Handle Bracket Assembly, Right	58	532 18 21-54	Throttle Control
22	532 15 00-78	Screw, Hex Washer Head	59	532 16 42-65	Grip, Handle, Foam, Smooth
23	532 16 31-83	Bolt, Hex Head 5/16-18 x 5/8	60	532 18 22-26	Spring, Return
24	873 80 05-00	Nut, Hex, with Lock Washer Insert 5/16-18	61	532 18 33-65	Screw
25	532 16 13-33	Baffle, Side	65	532 11 11-90	Cable Clamp
26	532 16 34-09	Screw #12 x 5/8	97	532 08 38-16	Screw
29	532 13 31-07	Cable	- -	532 18 21-34	Warning Decal
30	532 18 91-79	Blade Adapter / Pulley	- -	532 19 54-84	Operator's Manual, European
31	532 19 93-77	Blade, 21"	- -	532 19 54-85	Operator's Manual, Scandinavian
32	532 85 10-74	Washer, Hardened	- -	532 19 95-43	Operator's Manual, East Bloc
33	532 85 02-63	Lock Washer, Helical Spring 3/8	- -	532 19 95-42	Operator's Manual, Baltic
34	532 85 10-84	Screw, Hex Head 3/8-24 x 1.38			

NOTE: All component dimensions given in U.S. inches. 1 inch = 25.4 mm

IMPORTANT: Use only Original Equipment Manufacturer (O.E.M.) replacement parts. Failure to do so could be hazardous, damage your lawn mower and void your warranty.

ROTARY LAWN MOWER - - MODEL NUMBER R52S (96141006001) PRODUCT NUMBER 961 41 00-60



ROTARY LAWN MOWER - - MODEL NUMBER R52S (96141006001) PRODUCT NUMBER 961 41 00-60

KEY NO.	PART NO.	DESCRIPTION	KEY NO.	PART NO.	DESCRIPTION
1	532 40 98-95	Cable, Drive	34	532 85 12-26	Washer
2	532 18 87-60	Bar, Control, Drive	35	532 41 09-22	Shaft Assembly, Rear
3	532 16 45-57	Bracket, Downstop	36	532 19 60-15	Shaft Assembly, Front
4	532 19 96-87	Screw	37	532 16 14-63	Retainer, Front Shaft
7	532 18 22-12	V-Belt	38	532 16 34-09	Screw, Hi-Lo Thread #12 x 5/8
8	532 19 17-30	Nut, Hex, Flangelock, Zinc Plated 3/8-16	39	532 40 70-59	Clip, Retainer
9	532 19 41-28	Pulley, Driven	40	532 41 08-31	Wheel & Tire Assembly, Front
12	532 18 76-53	Screw	41	532 18 83-30	Pinion Assembly, RH
13	532 18 86-45	Gearcase Assembly, Complete	42	532 19 74-80	O-Ring
15	532 08 83-48	Washer, Flat 3/8	43	532 18 83-31	Pinion Assembly, LH
16	532 40 71-47	Rod, Connecting	45	532 17 50-98	Drive Pawl
17	532 16 16-02	Spring, Extension	46	532 18 82-91	Spring, Torsion
18	532 19 61-62	Spring, Selector	47	532 06 77-25	Washer 1/2 x 1-1/2 x .134
19	532 19 00-69	Knob, Selector Spring	48	532 17 51-05	Retainer, Drive, LH
20	812 00 00-22	E-Ring 7/8	49	532 17 51-03	Gear
21	532 16 33-65	Bearing Support	50	532 17 51-02	Retainer, Drive, RH
22	532 16 99-11	Bearing, Ball	61	532 18 75-30	Case, Lower
23	532 16 45-55	Retainer, Drive Assembly, Stamped	62	532 18 75-31	Case, Upper
24	532 05 78-08	Screw, Tapping, Hex Head 1/4-20 x 3/4	63	532 18 75-32	Gear, 24 Teeth
25	532 40 07-83	Cover, Drive	64	532 18 75-33	Shaft, Input
26	532 75 06-34	Screw, Tapping, Hex Washer Head #10-24 x 1/2	65	532 18 35-05	Wire, Formed
27	532 05 21-60	Washer, Shim (as required)	66	532 18 35-06	Bearing, Ball
28	812 00 00-58	E-Ring 7/16	67	532 18 35-08	Seal, Output Shaft
29	532 18 94-03	Cover, Dust, Wheel	68	532 18 35-09	Washer
30	532 17 51-04	Disc, Drive	69	532 18 35-11	Bushing
31	532 18 41-72	Seal, Friction	70	532 19 12-49	Shaft, Output
32	532 41 10-81	Wheel & Tire Assembly, Rear, Driven	71	532 18 35-13	Screw
33	532 08 39-23	Nut, Hex Flangelock	72	532 18 35-14	Seal, Input Shaft

NOTE: All component dimensions given in U.S. inches. 1 inch = 25.4 mm

IMPORTANT: Use only Original Equipment Manufacturer (O.E.M.) replacement parts. Failure to do so could be hazardous, damage your lawn mower and void your warranty.