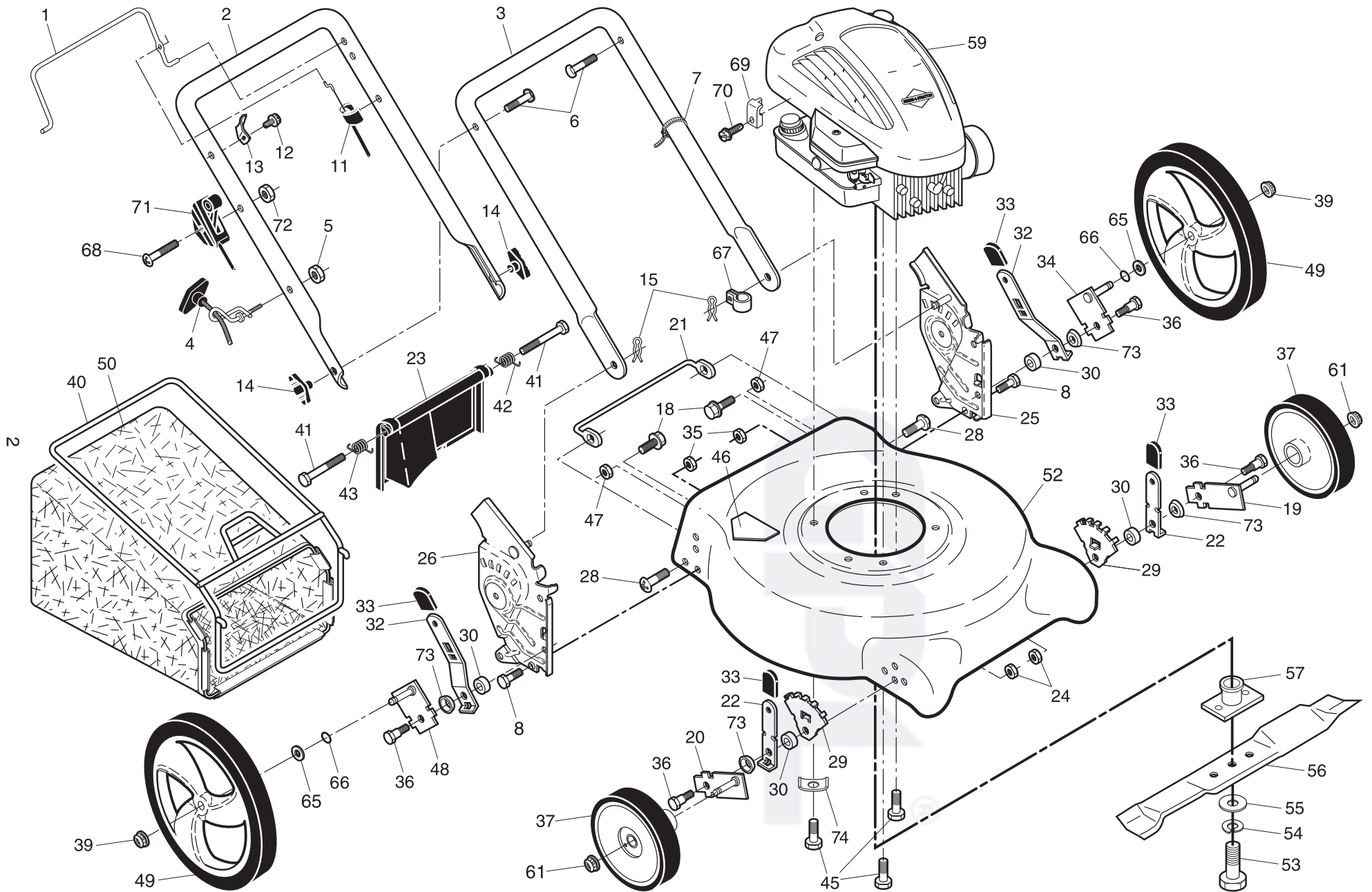


# R53

**Spare parts**  
**Ersatzteile**  
**Pièces détachées**  
**Reserve onderdelen**  
**Repuestos**  
**Reservdelar**

**GPL**®

# ROTARY LAWN MOWER - - MODEL NUMBER R53 (96131002300) PRODUCT NUMBER 961 31 00-23



# ROTARY LAWN MOWER - - MODEL NUMBER R53 (96131002300) PRODUCT NUMBER 961 31 00-23

KEY NO.	PART NO.	DESCRIPTION	KEY NO.	PART NO.	DESCRIPTION
1	532 19 55-74	Control Bar	42	532 40 54-21	Spring, Rear Door, LH
2	<b>532 40 31-29</b>	Upper Handle	43	532 40 54-23	Spring, Rear Door, RH
3	<b>532 17 41-10</b>	Lower Handle	45	532 15 04-06	Hex Head Thread Rolling Screw 3/8-16 x 1
4	532 19 47-88	Rope Guide	46	532 18 21-66	Danger Decal
5	532 13 20-04	Locknut, Hex 1/4-20	47	873 75 11-53	Nut, Hex
6	532 19 15-74	Handle Bolt	48	532 41 06-01	Axle Arm Assembly, Rear, RH
7	532 06 64-26	Wire Tie	49	<b>532 41 34-01</b>	Wheel & Tire Assembly, Rear 12 x 1-3/4
8	874 78 05-12	Hex Bolt 5/16-18 x 3/4	50	<b>532 40 00-70</b>	Grassbag
11	<b>532 13 31-07</b>	Engine Zone Control Cable	52	<b>532 40 80-28</b>	Kit, Lawn Mower Housing Assembly (Includes Key Numbers 17, 18 and 46)
12	532 75 06-34	Hex Washer Head Screw #10-24 x 1/2	53	532 85 10-84	Hex Head Screw 3/8-24 x 1-3/8 Grade 8
13	<b>532 12 51-62</b>	Up-Stop Bracket	54	532 85 02-63	Helical Lockwasher
14	532 19 19-38	Handle Knob	55	532 85 10-74	Hardened Washer
15	532 05 17-93	Hairpin Cotter	56	532 19 93-77	21" Blade
18	817 60 04-06	Screw 1/4-20 x 3/8	57	<b>532 19 37-07</b>	Blade Adapter
19	532 40 66-89	Axle Arm Assembly, Front, LH	59	- - -	Engine, Briggs & Stratton, Model Number 12F802 (Order parts from engine manufacturer)
20	532 40 66-90	Axle Arm Assembly, Front, RH	61	<b>532 40 91-48</b>	Nut, Hex, Flangelock
21	<b>532 41 35-43</b>	Footguard	65	532 08 83-48	Washer, Flat
22	532 40 64-28	Selector Spring, Front	66	532 19 74-80	O-Ring
23	532 41 06-03	Rear Door Assembly	67	532 19 79-91	Clip, Cable
24	532 16 67-85	Locknut, Hex 5/16-18	68	<b>532 18 33-65</b>	Screw, Hex 1/4 x 20 x 2.17
25	532 41 05-96	Handle Bracket Assembly, LH	69	<b>532 11 11-90</b>	B&S Cable Clamp
26	532 41 05-97	Handle Bracket Assembly, RH	70	<b>532 08 38-16</b>	Screw #10 x 5/8
28	532 05 45-83	Screw	71	<b>532 70 04-17</b>	Throttle Control
29	<b>532 41 05-94</b>	Wheel Adjusting Bracket, Front	72	<b>532 13 20-04</b>	Nut, Hex, 1/4-20 BZO
30	<b>532 40 16-29</b>	Spacer	73	532 40 16-30	Washer, Curved
32	532 41 05-95	Spring, Selector, Rear	74	532 12 50-78	Washer, Engine
33	532 08 78-77	Selector Knob	--	532 18 21-91	Warning Decal (not shown)
34	532 41 06-00	Axle Arm Assembly, Rear, LH	--	<b>532 41 13-14</b>	Operator's Manual, European
35	532 16 67-85	Locknut, Hex 5/16-18	--	<b>532 41 13-15</b>	Operator's Manual, Scandinavian
36	532 40 16-38	Shoulder Bolt 5/16-18	--	<b>532 41 13-16</b>	Operator's Manual, East Bloc
37	<b>532 41 31-83</b>	Wheel & Tire Assembly, Front 8 x 1-3/4	--	<b>532 41 13-17</b>	Operator's Manual, Baltic
39	<b>532 40 91-49</b>	Nut, Hex, Flangelock			
40	532 40 18-08	Frame, Grassbag			
41	532 18 41-93	Bolt, Rear Door			

**NOTE:** All component dimensions given in U.S. inches. 1 inch = 25.4 mm. **IMPORTANT:** Use only Original Equipment Manufacturer (O.E.M.) replacement parts. Failure to do so could be hazardous, damage your lawn mower and void your warranty.