

# R53 SVL

**Spare parts**

**Ersatzteile**

**Pièces détachées**

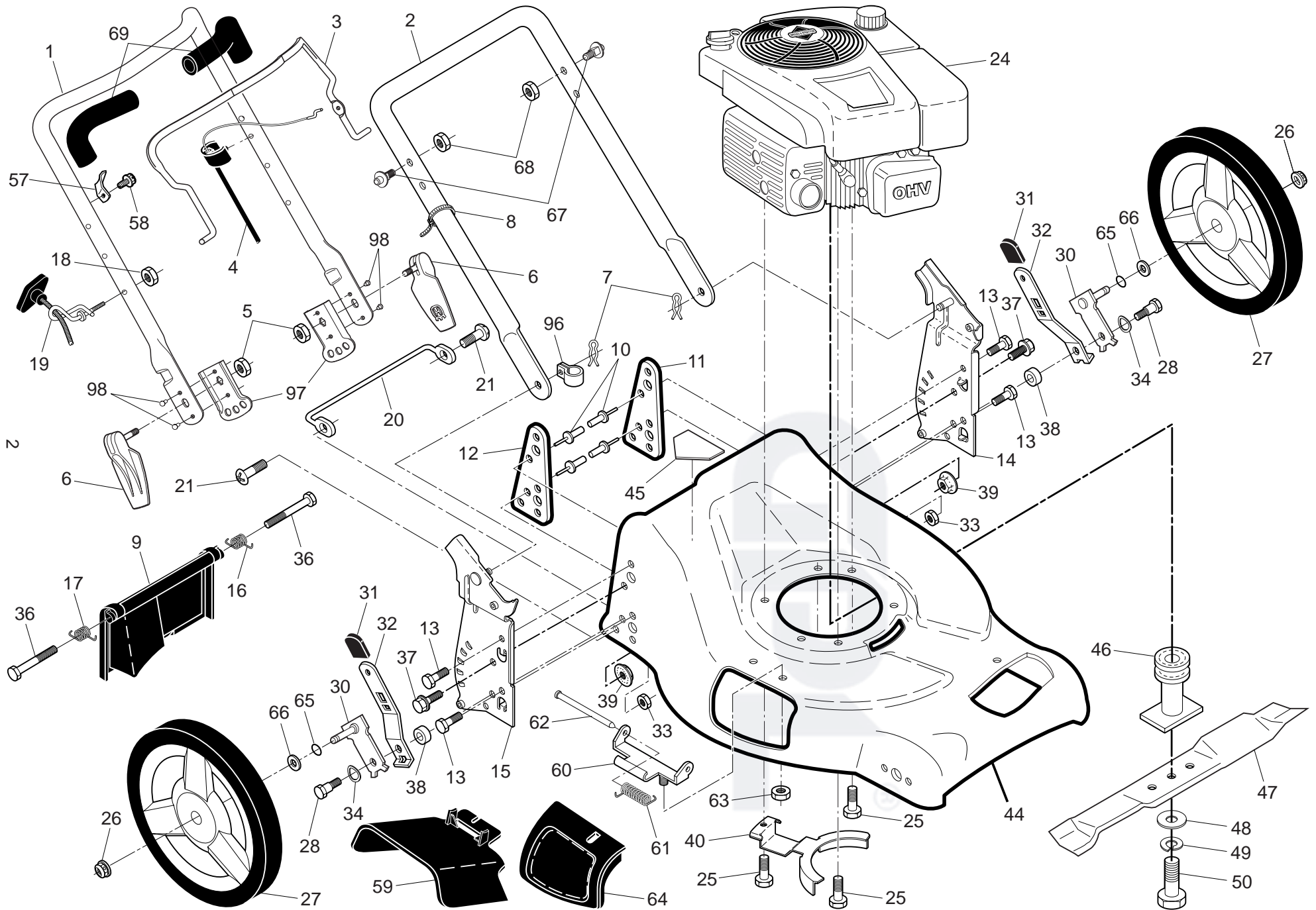
**Reserve onderdelen**

**Repuestos**

**Reservdelar**

**GPL**®

**ROTARY LAWN MOWER - - MODEL NUMBER R 53SV L (96141022600) PRODUCT NUMBER 961 41 02-26**

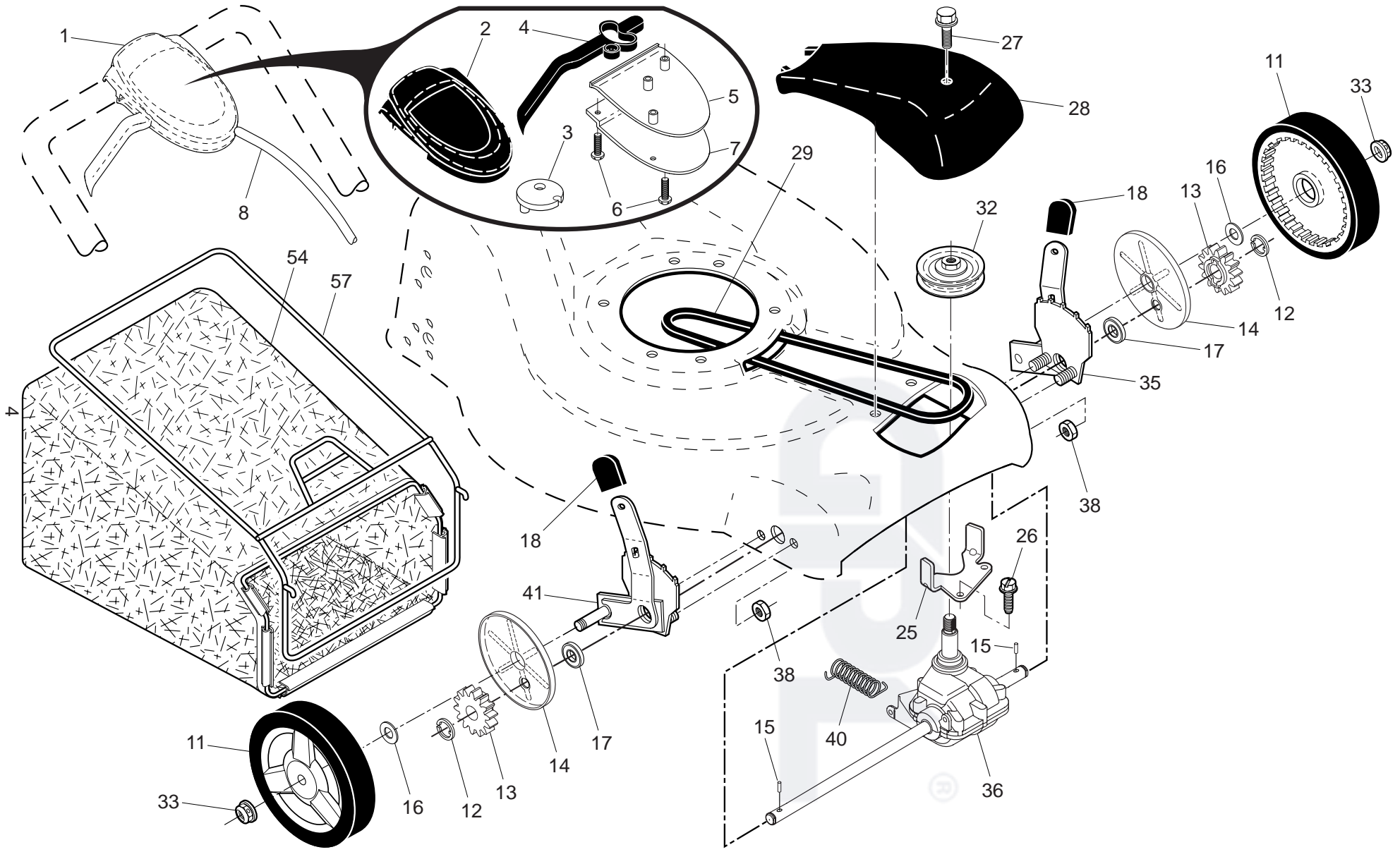


# ROTARY LAWN MOWER - - MODEL NUMBER R 53SV L (96141022600) PRODUCT NUMBER 961 41 02-26

| KEY NO. | PART NO.     | DESCRIPTION   | KEY NO. | PART NO.     | DESCRIPTION  |
|---------|--------------|---|---------|--------------|--|
| 1       | 532 42 05-77 | Upper Handle (Includes Foam Grip)   | 37      | 874 78 05-12 | Thread Cutting Screw w/Sems 5/16-18 x 3/4                      |
| 2       | 532 42 04-91 | Lower Handle  | 38      | 532 40 16-29 | Spacer   |
| 3       | 532 42 68-12 | Control Bar   | 39      | 532 15 53-77 | Nut, Hex, Flanged 5/16-18                                      |
| 4       | 532 41 53-50 | Engine Zone Control Cable   | 40      | 532 42 57-11 | Belt Keeper  |
| 5       | 532 19 17-30 | Locknut, Hex 1/4-20   | 44      | 532 40 80-16 | Lawn Mower Housing<br>(Includes Key Numbers 10, 11, 12 and 45) |
| 6       | 532 41 66-68 | Handle Knob Assembly, Quick-Release   | 45      | 532 18 21-66 | Danger Decal   |
| 7       | 532 05 17-93 | Hairpin Cotter  | 46      | 532 43 22-79 | Blade Adapter / Pulley   |
| 8       | 532 06 64-26 | Wire Tie  | 47      | 532 19 93-77 | Blade 21"  |
| 9       | 532 40 69-85 | Rear Door Assembly  | 48      | 532 85 10-74 | Hardened Washer  |
| 10      | 532 12 84-15 | Pop Rivet   | 49      | 532 85 02-63 | Helical Washer 3/8-24 x 1-3/8 Grade 8                          |
| 11      | 532 41 05-40 | Support Bracket, LH   | 50      | 532 85 10-84 | Hex Head Machine Screw 3/8-24 x 1-3/8 Grade 8                  |
| 12      | 532 41 05-42 | Support Bracket, RH   | 57      | 532 43 00-34 | Upstop Bracket   |
| 13      | 817 06 04-10 | Screw 1/4-20 x 5/8  | 58      | 532 75 06-34 | Screw  |
| 14      | 532 41 78-12 | Handle Bracket Assembly, LH   | 59      | 532 18 55-82 | Discharge Deflector  |
| 15      | 532 41 78-11 | Handle Bracket Assembly, RH   | 60      | 532 17 57-35 | Hinge Bracket Assembly   |
| 16      | 532 40 54-17 | Spring, Rear Door, LH   | 61      | 532 19 30-00 | Spring, Hinge  |
| 17      | 532 40 54-18 | Spring, Rear Door, RH   | 62      | 532 17 56-50 | Rod, Hinge   |
| 18      | 532 13 20-04 | Locknut, Hex 1/4-20   | 63      | 873 80 04-00 | Locknut, Hex 1/4-20  |
| 19      | 532 19 47-88 | Rope Guide  | 64      | 532 18 55-76 | Mulcher Door   |
| 20      | 532 41 35-43 | Foot Guard, C.E.  | 65      | 532 19 74-80 | O-Ring   |
| 21      | 817 49 04-16 | Screw, Self-Tapping, Hex Head 1/4-20 x 1/2  | 66      | 532 08 83-48 | Washer, Flat   |
| 24      | - - -        | Engine, Briggs & Stratton, Model Number 12S902-1368-EA (order parts from engine manufacturer) | 67      | 532 19 92-55 | Stud   |
| 25      | 532 15 04-06 | Hex Head Thread Rolling Screw 3/8-16 x 1-1/8  | 68      | 532 75 11-53 | Nut, Hex 1/4-20  |
| 26      | 532 40 91-49 | Hex Flange Nut  | 69      | 532 18 27-48 | Grip, Foam   |
| 27      | 532 41 08-15 | Wheel & Tire Assembly, Rear, 12"  | 96      | 532 19 79-91 | Clip, Cable  |
| 28      | 532 40 16-38 | Shoulder Bolt 5/16-18 x .33   | 97      | 532 41 35-34 | Bracket, Quick-Release   |
| 30      | 532 41 31-41 | Axle Arm Assembly, Rear   | 98      | 532 19 96-97 | Rivet  |
| 31      | 532 70 10-37 | Selector Knob   | --      | 532 18 21-91 | Decal, Warning (not shown)                                     |
| 32      | 532 40 98-89 | Selector Spring   | --      | 532 43 19-50 | Operator's Manual, European                                    |
| 33      | 873 80 05-00 | Nut, Hex 5/16-18  | --      | 532 43 19-53 | Operator's Manual, Scandinavian                                |
| 34      | 532 40 16-30 | Washer, Curved, Cylindrical   | --      | 532 43 19-51 | Operator's Manual, East Bloc                                   |
| 36      | 532 18 41-93 | Bolt  | --      | 532 43 19-52 | Operator's Manual, Baltic                                      |

**NOTE:** All component dimensions given in U.S. inches. 1 inch = 25.4 mm. **IMPORTANT:** Use only Original Equipment Manufacturer (O.E.M.) replacement parts. Failure to do so could be hazardous, damage your lawn mower and void your warranty.

# ROTARY LAWN MOWER - - MODEL NUMBER R 53SV L (96141022600) PRODUCT NUMBER 961 41 02-26



# ROTARY LAWN MOWER - - MODEL NUMBER R 53SV L (96141022600) PRODUCT NUMBER 961 41 02-26

| KEY NO. | PART NO.     | DESCRIPTION                     | KEY NO. | PART NO.     | DESCRIPTION  |
|---------|--------------|---------------------------------|---------|--------------|--|
| 1       | 532 42 56-61 | Drive Control Assembly          | 25      | 532 41 16-63 | Belt Keeper  |
| 2       | 532 41 16-73 | Cover, Drive Control, Upper     | 26      | 532 16 34-09 | Screw, Hi-Lo Thread #12 x 5/8                          |
| 3       | 532 40 62-62 | Pulley                          | 27      | 532 17 52-62 | Pan Head Tapping Screw #10-24 x 2-3/4                  |
| 4       | 532 42 56-62 | Lever, Drive Control            | 28      | 532 18 55-79 | Cover, Drive   |
| 5       | 532 41 16-64 | Cover, Drive Control, Lower     | 29      | 532 19 41-49 | V-Belt   |
| 6       | 532 18 16-98 | Screw                           | 32      | 532 19 40-18 | Pulley, Drive  |
| 7       | 532 40 07-23 | Mounting Bracket, Drive Control | 33      | 532 40 91-48 | Locknut, Hex   |
| 8       | 532 40 62-59 | Cable, Drive Control            | 35      | 532 42 42-01 | Kit, Wheel Adjuster, LH<br>(Includes Knob and Bearing) |
| 11      | 532 41 10-81 | Wheel & Tire Assembly           | 36      | 532 40 48-33 | Gear Case Assembly, Complete                           |
| 12      | 812 00 00-58 | E-Ring                          | 38      | 873 80 04-00 | Locknut 1/4-20   |
| 13      | 532 40 38-49 | Pinion                          | 40      | 532 40 65-58 | Spring   |
| 14      | 532 18 94-03 | Dust Cover                      | 41      | 532 42 42-00 | Kit, Wheel Adjuster, RH<br>(Includes Knob and Bearing) |
| 15      | 532 40 48-45 | Pawl, Drive                     | 54      | 532 40 19-03 | Grassbag Assembly                                      |
| 16      | 532 06 77-25 | Washer 1/2 x 1-1/2 x .134       | 57      | 532 41 19-50 | Frame, Grassbag  |
| 17      | 532 19 10-39 | Bearing, Wheel Adjuster         |         |              |  |
| 18      | 532 70 10-37 | Selector Knob                   |         |              |  |

**NOTE:** All component dimensions given in U.S. inches. 1 inch = 25.4 mm. **IMPORTANT:** Use only Original Equipment Manufacturer (O.E.M.) replacement parts. Failure to do so could be hazardous, damage your lawn mower and void your warranty.