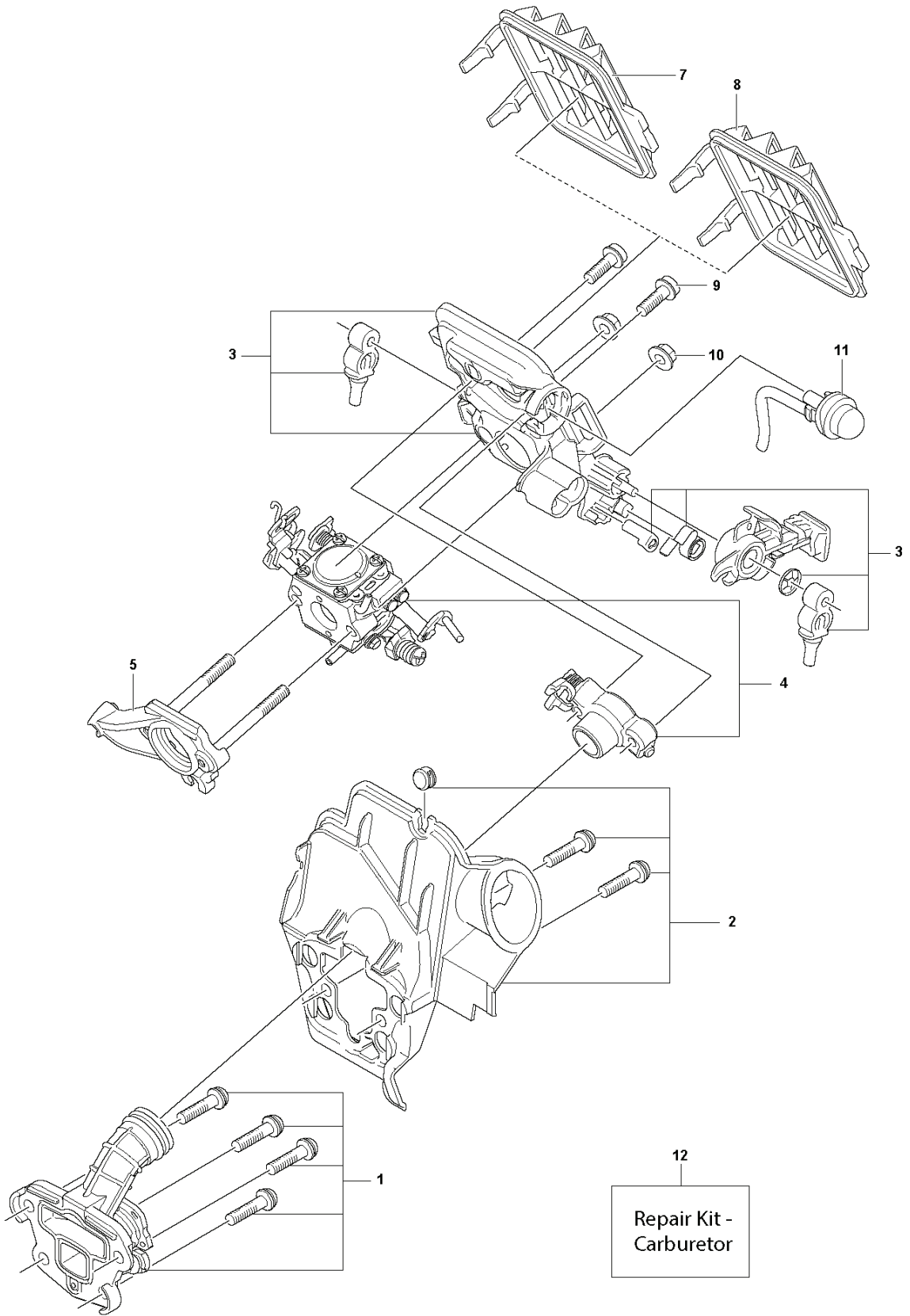


RESERVDELSKATALOG
: HUSQVARNA 135 MARK II

Reservdelslista

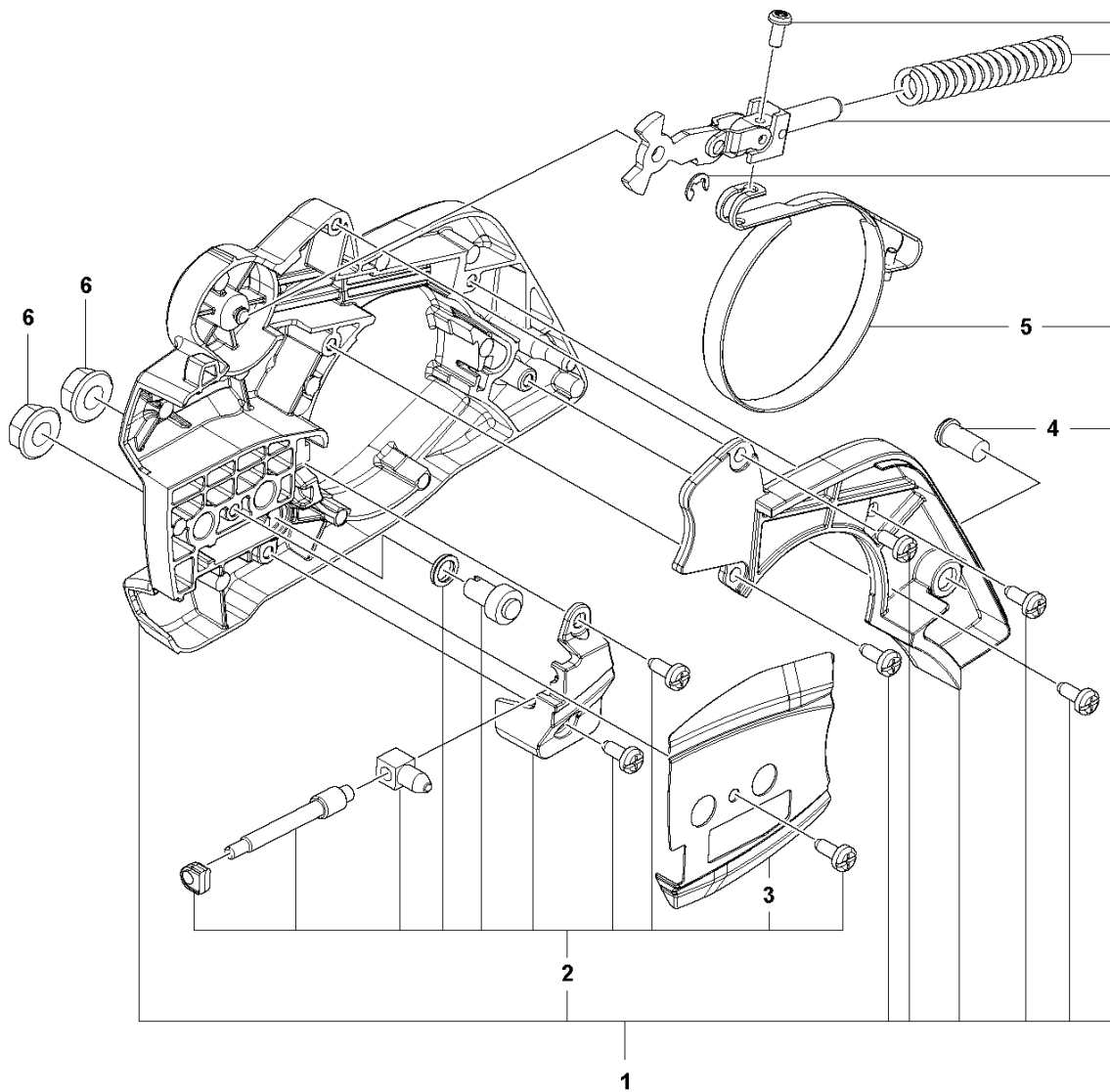
RESERVDELSLISTA

A 135 Mark II
CARBURETOR & AIR FILTER



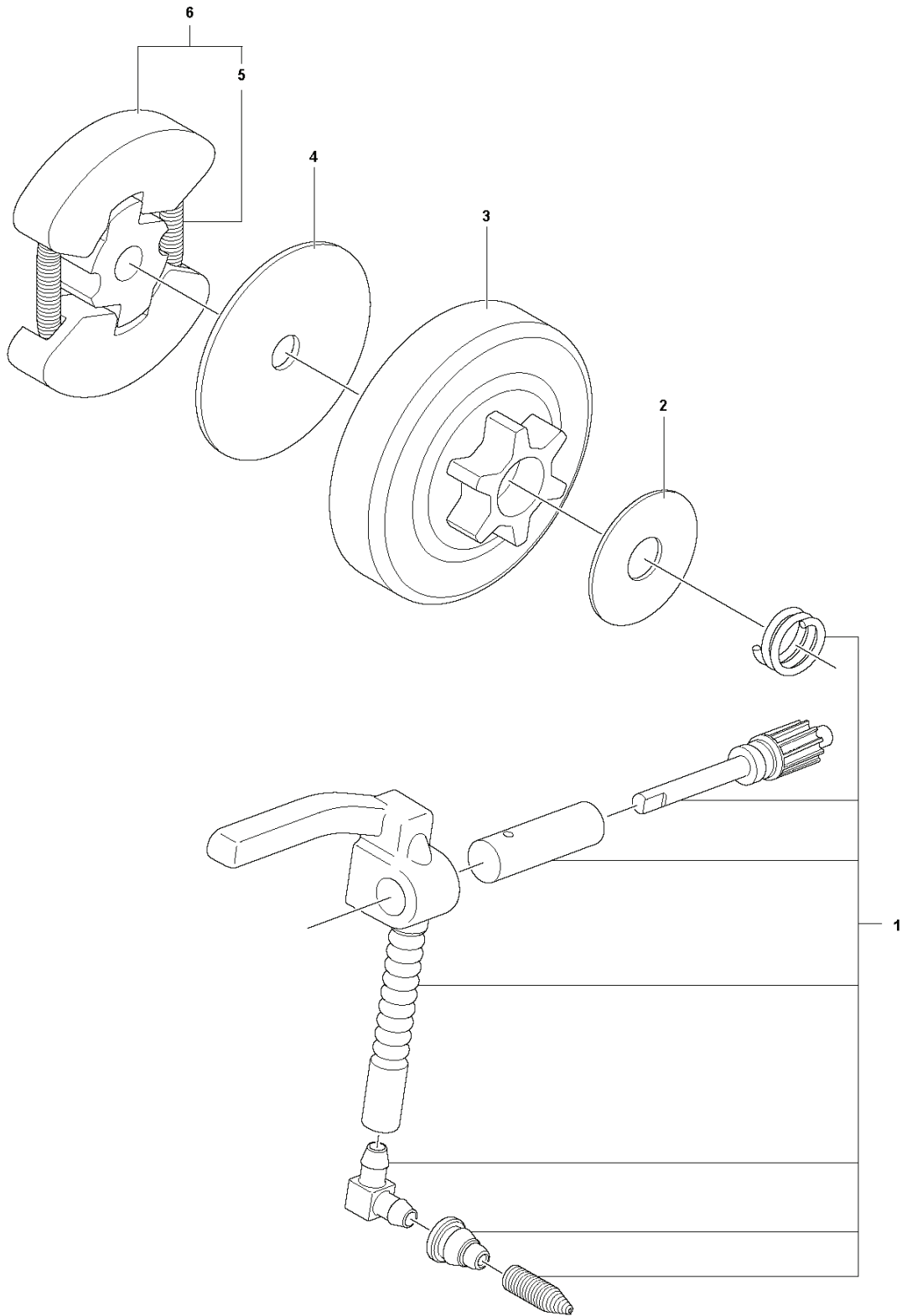
REF.	ART. NR	ARTIKELBESKRIVNING	ANMÄRKNING	KIT
1	591463901	INLOPP	Intake Boot	1
2	591464401	SERVICE KIT	Insulation Wall	1
3	591464501	SERVICE KIT	Filter Holder	1
4	599823701	CARBURETTOR KIT	NA, EU, AU, NZ - up to s/n 20211209978	1
4	599823704	CARBURETTOR KIT	RU BR	1
4	599823703	CARBURETTOR KIT	NA, EU, AU, NZ, JP Latin America. From s/n 20211209979 -	1
5	589289201	FLÄNS		1
6	593818101	FÖRGASARE	RU, BR	1
6	588247901	FÖRGASARE	NA, EU, CN, AU, NZ	1
7	588229301	LUFTFILTER	Mesh Filter	1
8	588229302	LUFTFILTER	Non-Woven Filter	1
9	503217010	SCREW CCRPANT		2
10	530016101	MUTTER		2
11	503936601	PURGE		1
12	599604201	SERVICE KIT		1

B 135 Mark II
CHAIN BRAKE & CLUTCH COVER



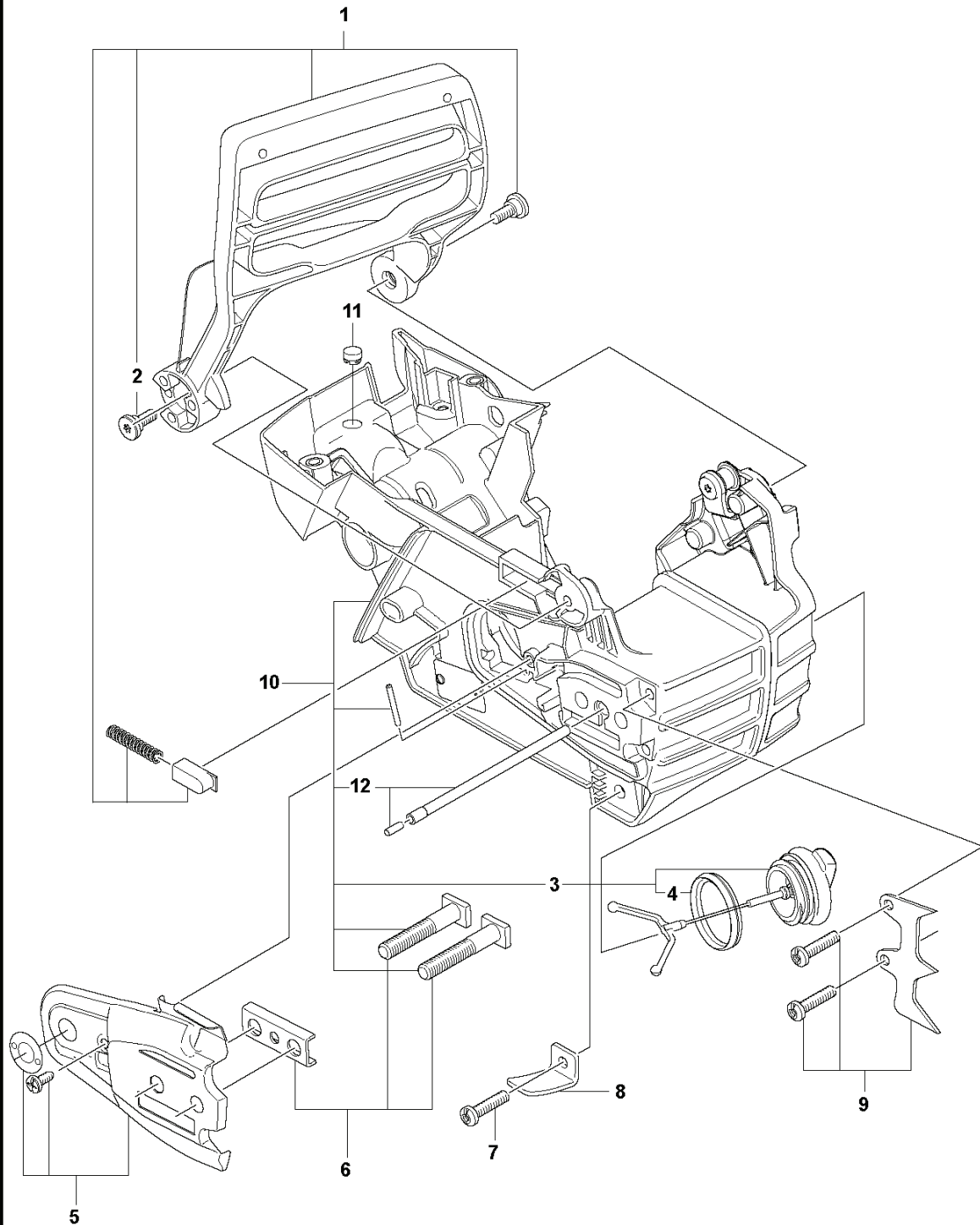
REF.	ART. NR	ARTIKELBESKRIVNING	ANMÄRKNING	KIT
1	591464702	SERVICE KIT	Service kit Clutch Cover	1
2	591464602	SERVICE KIT	Bar Adjuster	1
3	582647601	STYRPLÅT		1
4	590439601	STYRHYLSA		1
5	544306001	BROMSBAND KPL		1
6	530015917	MUTTER		2

C 135 Mark II
CLUTCH & OIL PUMP



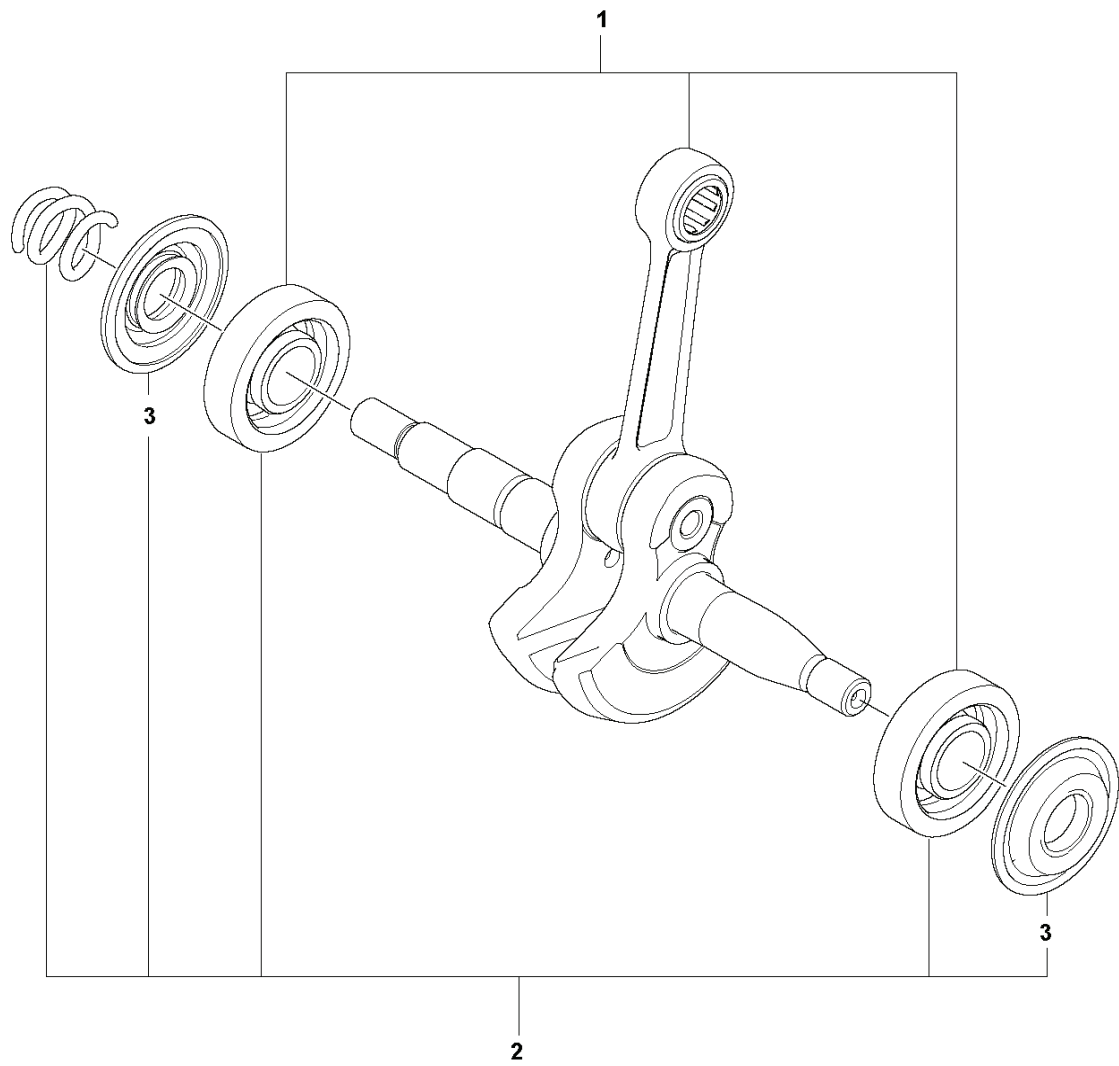
REF.	ART. NR	ARTIKELBESKRIVNING	ANMÄRKNING	KIT
1	591466801	SERVICE KIT	OIL PUMP	1
2	579621501	BRICKA		1
3	582598401	KOPPLINGSTRUMMA KPL		1
4	530015611	BRICKA		1
5	599588501	FJÄDER		1
6	599588601	KOPPLING		1

D 135 Mark II
CRANKCASE



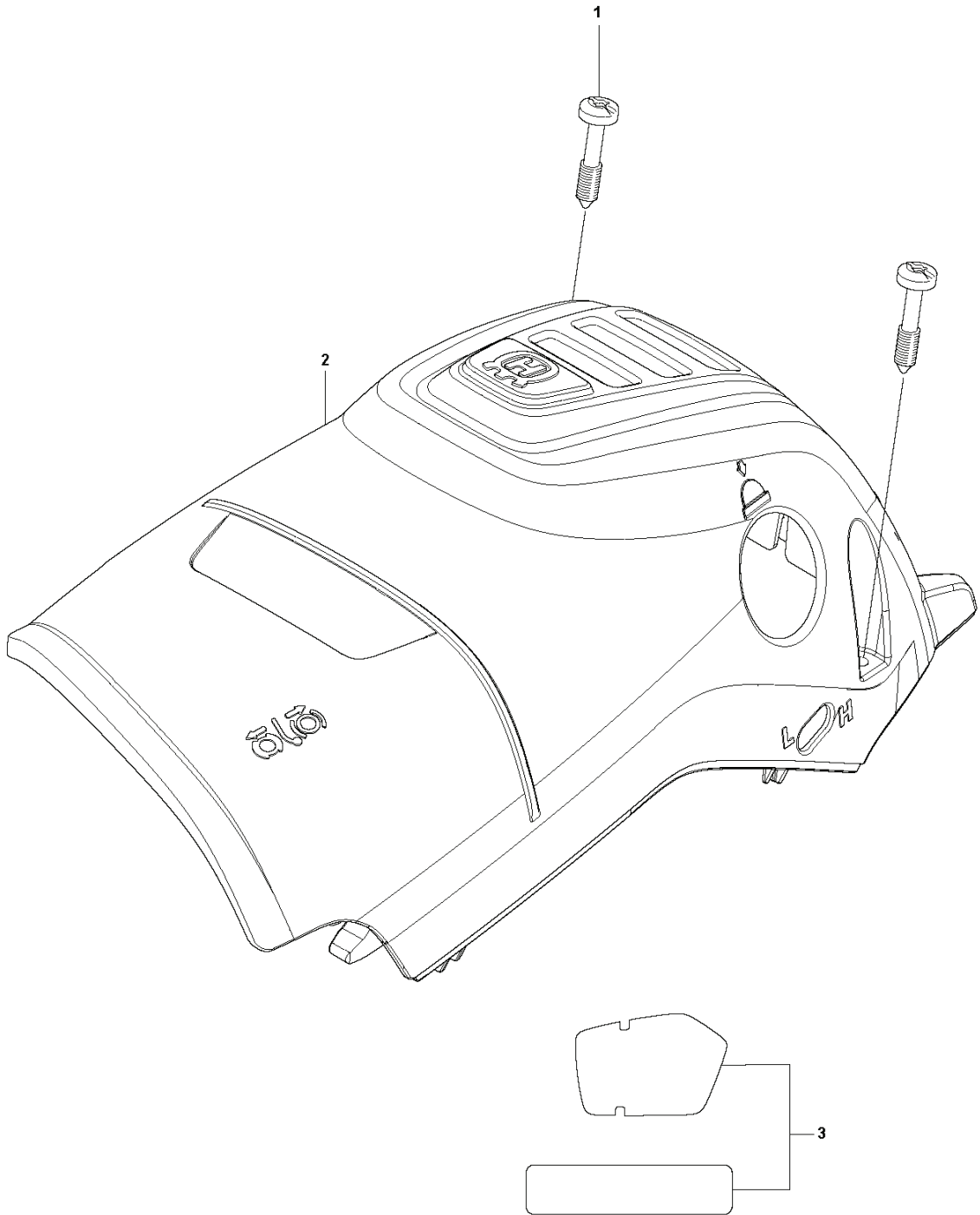
REF.	ART. NR	ARTIKELBESKRIVNING	ANMÄRKNING	KIT
1	591464801	SERVICE KIT	Hand Guard	1
2	545127301	BOSS	SCREW	2
3	544111203	TANKLOCK KPL		1
4	589241101	PACKNING		1
5	591464901	SERVICE KIT	Bar Plate	1
6	591465001	SERVICE KIT	Bar Bolt	1
7	530016432	SCREW		1
8	530029850	KEDJEFÄNGARE		1
9	530014381	FELLING DOG	Spike Assembly Kit	1
10	591465301	SERVICE KIT	Chassis	1
11	540057301	STÖD		1
12	501667401	RÖR		1

E 135 Mark II
CRANKSHAFT



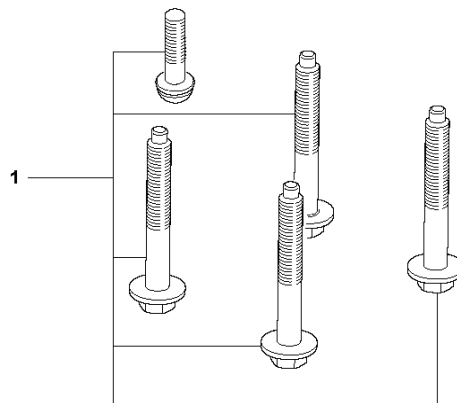
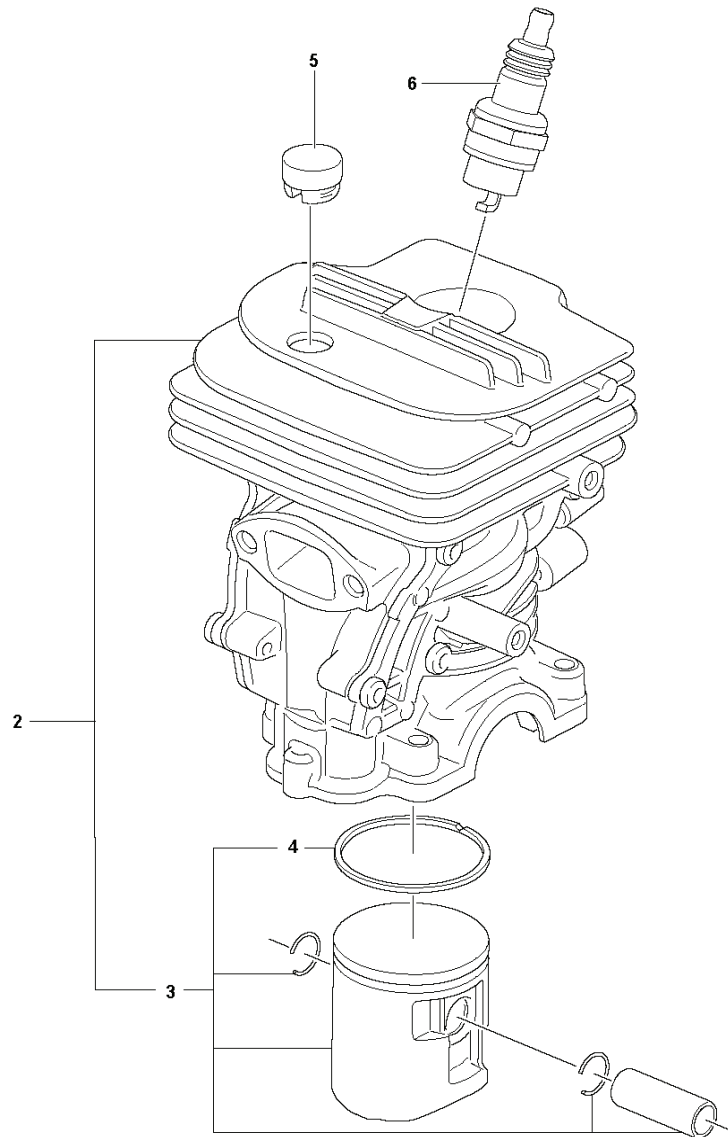
REF.	ART. NR	ARTIKELBESKRIVNING	ANMÄRKNING	KIT
1	588619601	VEVAXEL KPL		1
2	591465401	LAGERSATS	CRANKSHAFT SEAL & BEARING	1
3	595314101	SEAL		2

F 135 Mark II
CYLINDER COVER



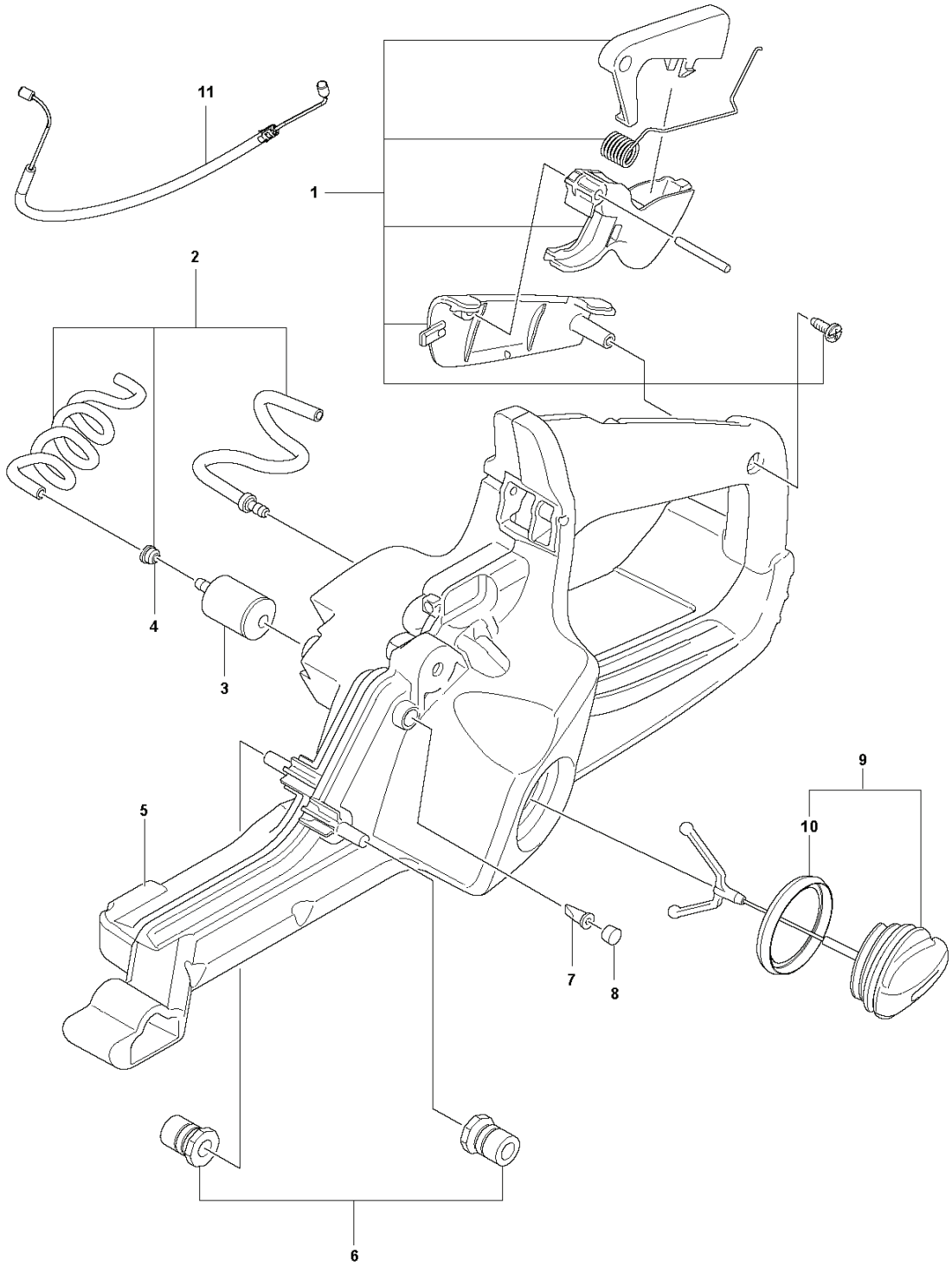
REF.	ART. NR	ARTIKELBESKRIVNING	ANMÄRKNING	KIT
1	503203476	SCREW		3
2	596394801	KÅPA	CYLINDER	1
3	591465502	SERVICE KIT	DECAL KIT	1

G 135 Mark II
CYLINDER PISTON



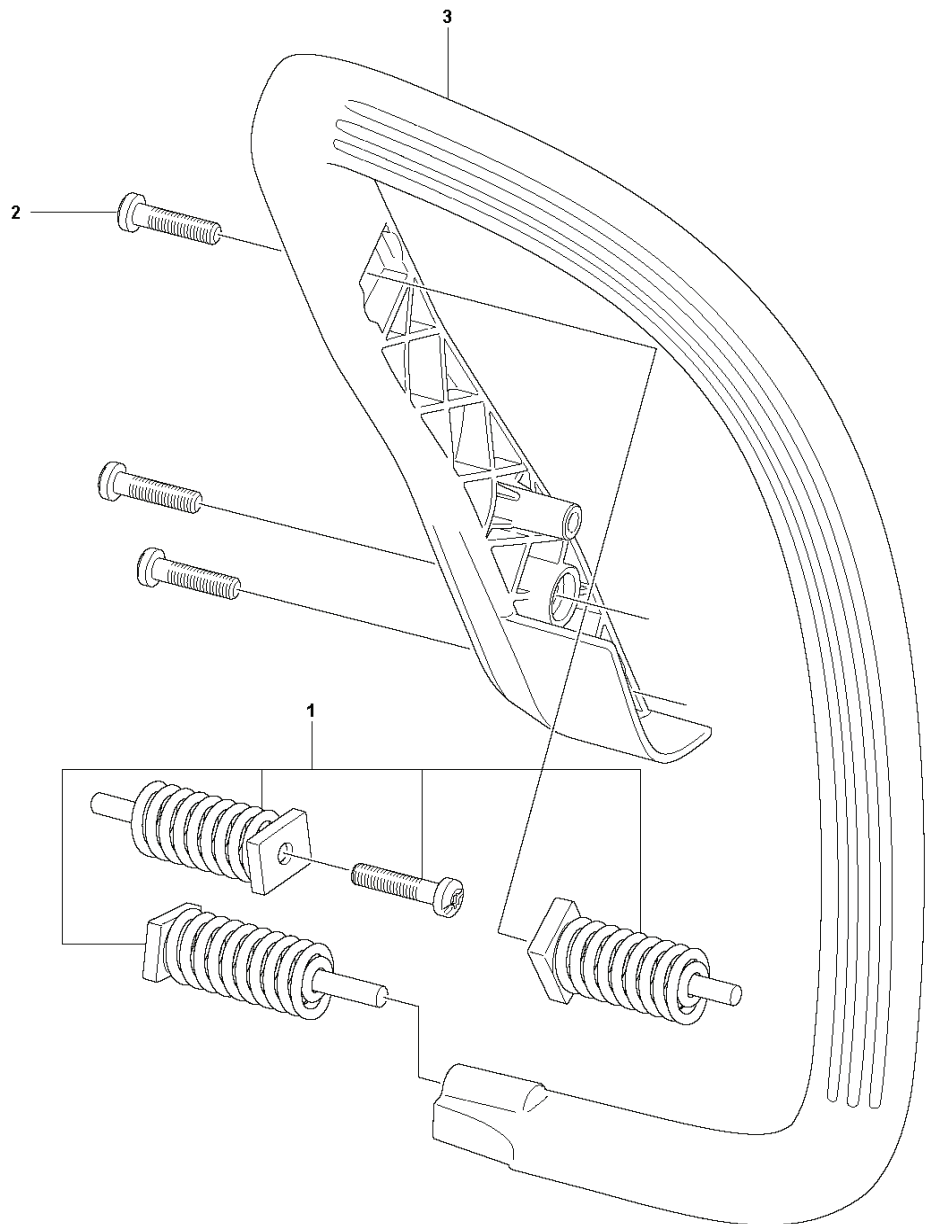
REF.	ART. NR	ARTIKELBESKRIVNING	ANMÄRKNING	KIT
1	591465601	SERVICE KIT	Cylinder Bolt	1
2	591465701	SERVICE KIT	Cylinder & Piston	1
3	591465702	SERVICE KIT	Piston Kit	1
4	585040601	KOLVRING		1
5	590409901	STÖD		1
6	503235111	TÄNDSTIFT	NGK BPMR7A	1

H 135 Mark II
FUEL TANK



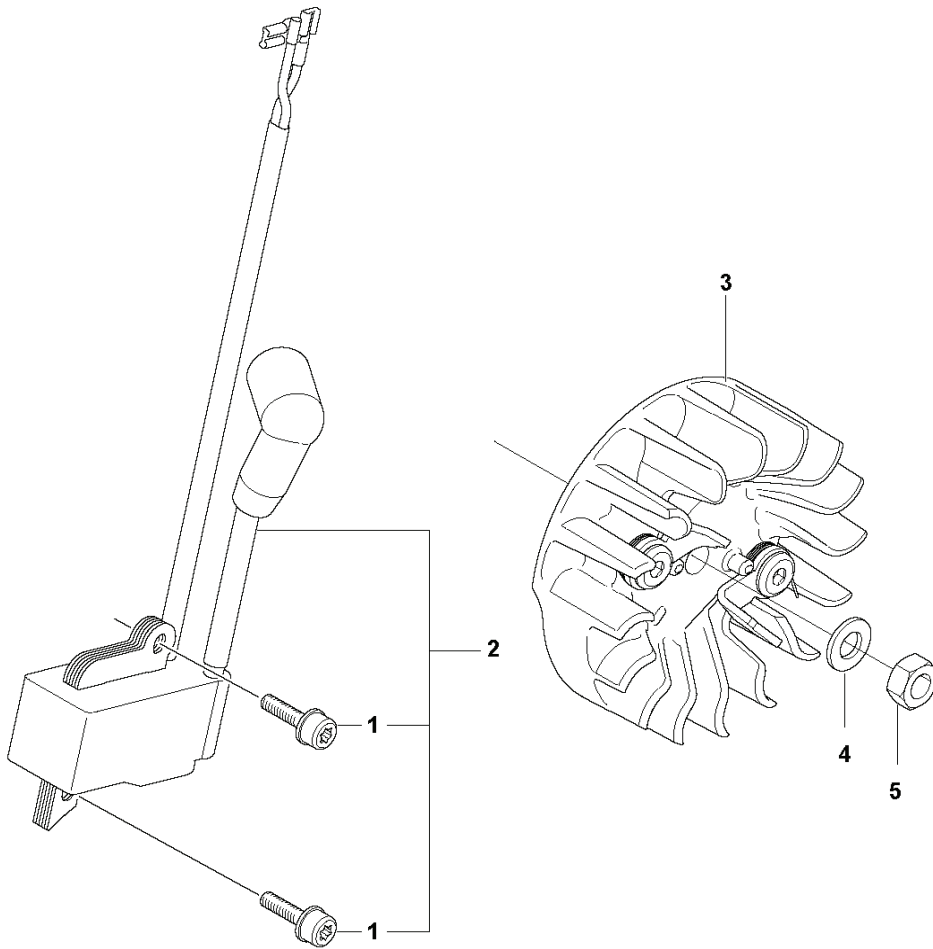
REF.	ART. NR	ARTIKELBESKRIVNING	ANMÄRKNING	KIT
1	591466001	SERVICE KIT	Trigger Assembly	1
2	592854401	SERVICE KIT	Fuel Hose	1
3	503443201	BRÄNSLEFILTER		1
4	503735801	BUSHING		1
5	501518402	BRÄNSLETANK KPL		1
6	591465801	SERVICE KIT	Lateral Support	1
7	530026119	VENTIL		1
8	530029868	PLUGG		1
9	544111203	TANKLOCK KPL		1
10	589241101	PACKNING		1
11	582287001	GASVAJER KPL		1

**135 Mark II
HANDLE**



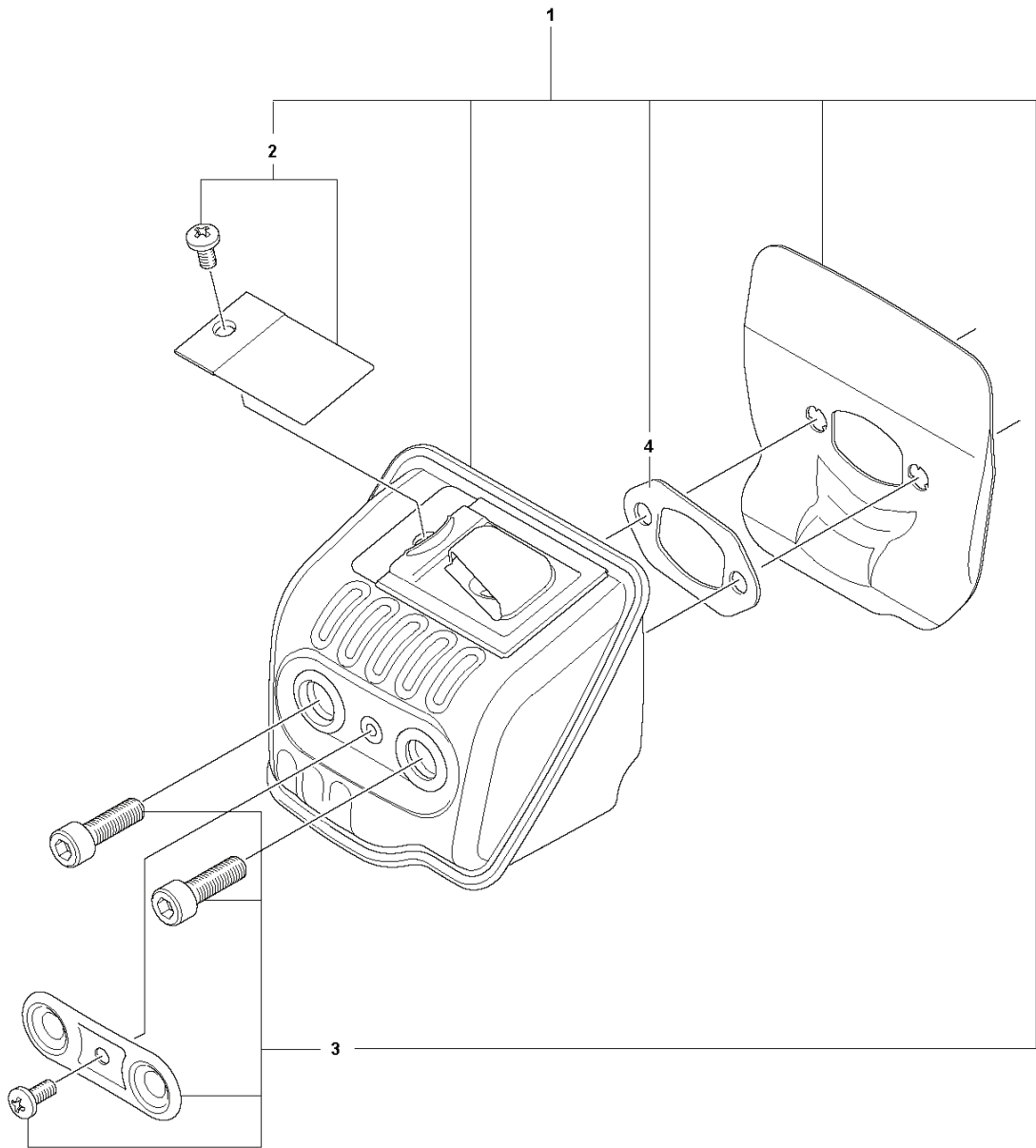
REF.	ART. NR	ARTIKELBESKRIVNING	ANMÄRKNING	KIT
1	591466101	SERVICE KIT	Anti-vibration Element	1
2	530016432	SCREW		3
3	501316301	HANDTAG		1

J 135 Mark II
IGNITION SYSTEM



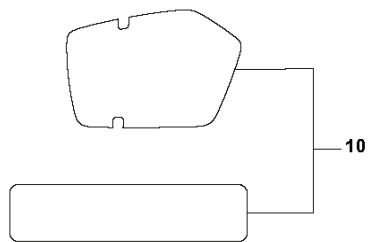
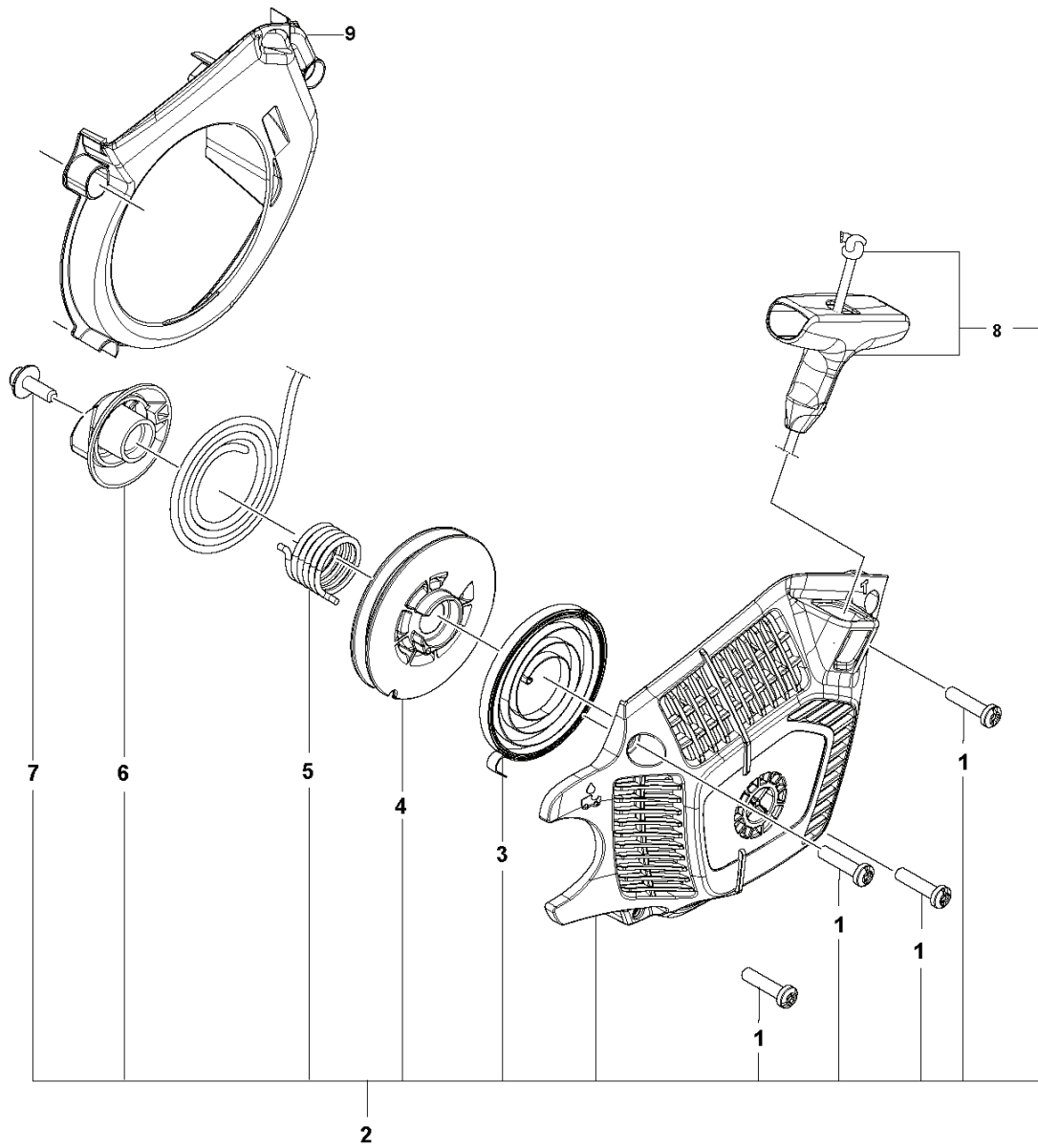
REF.	ART. NR	ARTIKELBESKRIVNING	ANMÄRKNING	KIT
1	575962601	SCREW		2
2	591466501	SERVICE KIT	- up to s/n 20211209978 (incl screws)	1
2	597564002	MODUL	From s/n 20211209979 -	1
3	544874202	SVÄNGHJUL KPL		1
4	530015127	BRICKA		1
5	530016134	MUTTER		1

K 135 Mark II
MUFFLER



REF.	ART. NR	ARTIKELBESKRIVNING	ANMÄRKNING	KIT
1	501266203	LJUDDÄMPARE KPL	Kit	1
2	591175501	SERVICE KIT	Spark Arrester	1
3	591174601	SCREW KIT	MUFFLER	1
4	501619501	PACKNING		1

L 135 Mark II
STARTER



REF.	ART. NR	ARTIKELBESKRIVNING	ANMÄRKNING	KIT
1	530016401	SCREW		4
2	591466702	STARTAPPARAT KPL	Kit	1
3	576657801	FJÄDER		1
4	593167601	REMSKIVA		1
5	593168101	FJÄDER		1
6	597621701	STARTAPPARAT	HUB	1
7	530015920	SCREW		1
8	545010010	HANDTAG	Handle & Rope	1
9	588970601	SKYDD		1
10	591465502	SERVICE KIT	DECAL KIT	1