

RESERVDELSKATALOG
: HUSQVARNA 353 TRIOBRAKE™

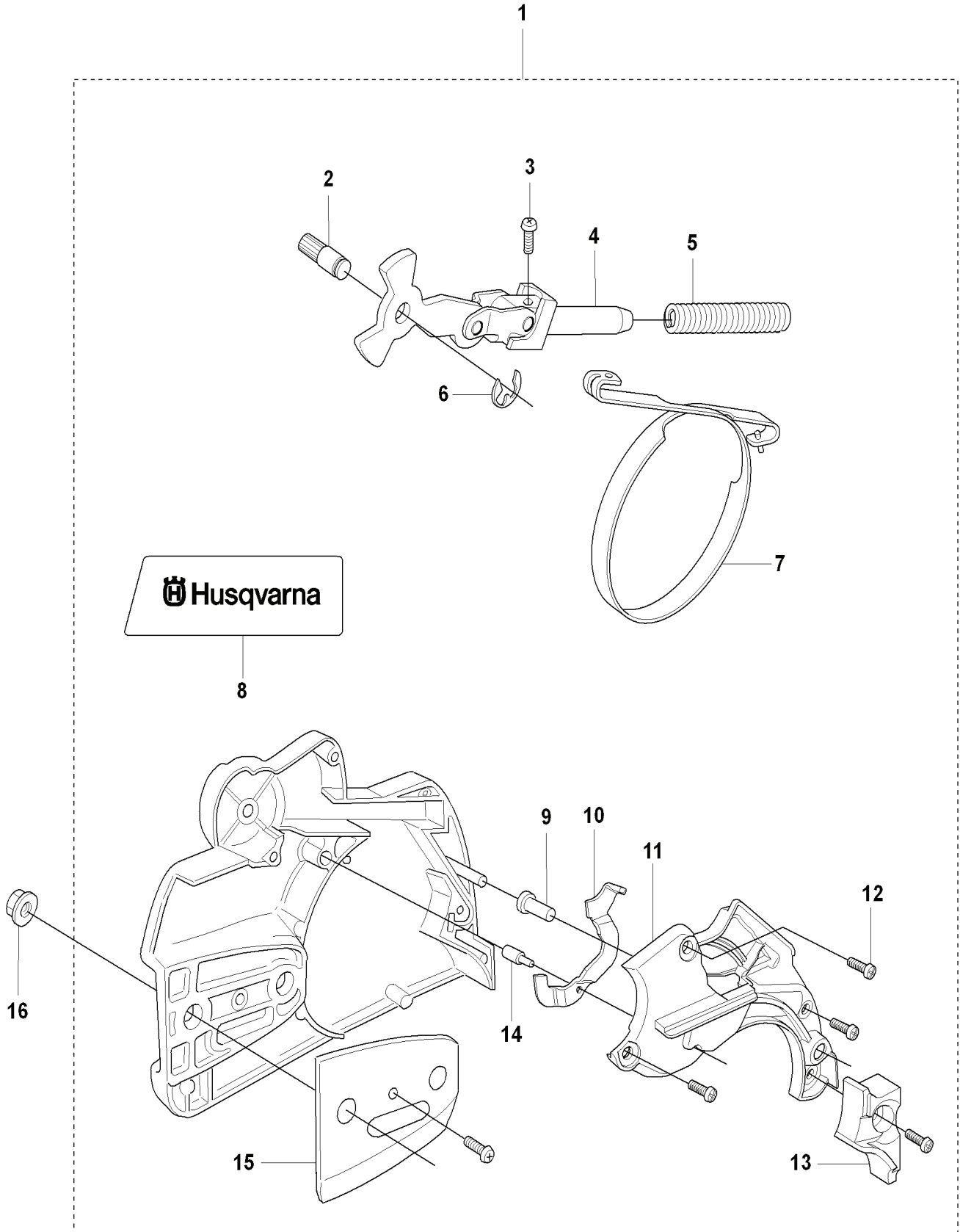
Reservdelista

Frequent Parts

RESERVDELSLISTA

A

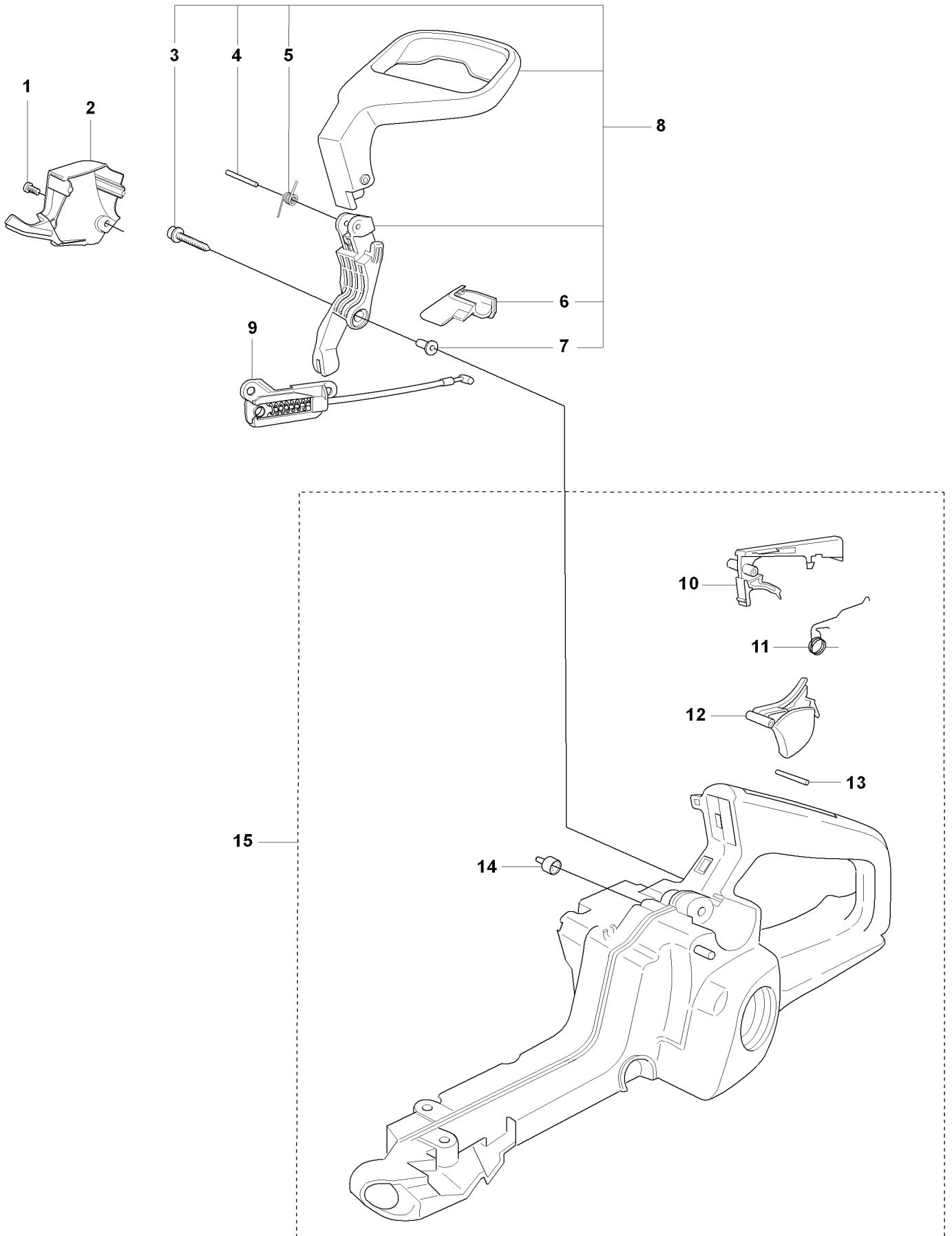
TrioBrake



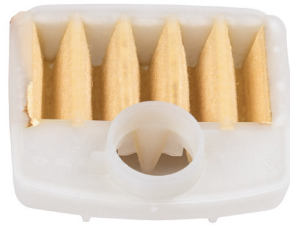
| REF. | ART. NR | ARTIKELBESKRIVNING | ANMÄRKNING | KIT |
|------|-----------|--------------------|------------|-----|
| 1 | 537107802 | KEDJEBROMS | | 1 |
| 2 | 503892901 | TAPP | | 1 |
| 3 | 503217010 | SCREW CCRPANT | | 1 |
| 4 | 503890802 | KNALED KPL | | 1 |
| 5 | 503465901 | BROMSFJÄDER | | 1 |
| 6 | 735310820 | SPÄRRYTARE | | 1 |
| 7 | 537043002 | BROMSBAND KPL | | 1 |
| 8 | 537370401 | DEKAL | | 1 |
| 9 | 503855201 | STYRHYLSA | | 1 |
| 10 | 537057901 | HÄVARM | | 1 |
| 11 | 537058001 | NAVKAPSEL | | 1 |
| 12 | 503217010 | SCREW CCRPANT | | 5 |
| 13 | 537089001 | SLITSKYDD | | 1 |
| 14 | 503751802 | PIN KNEE-JOINT | | 1 |
| 15 | 503856601 | TÄCKPLATTA | | 1 |
| 16 | 503220001 | MUTTER (HEXAGON) | | 2 |

C

TrioBrake



| REF. | ART. NR | ARTIKELBESKRIVNING | ANMÄRKNING | KIT |
|------|-----------|--------------------|------------|-----|
| 1 | 503217010 | SCREW CCRPANT | | 1 |
| 2 | 537058801 | NAVKAPSEL | | 1 |
| 3 | 503217535 | SKRUV IHSCFT | | 1 |
| 4 | 721121330 | RÄFFELPINNE | | 1 |
| 5 | 537059201 | VRIDEFJÄDER | | 1 |
| 6 | 537130101 | BÄLG | | 1 |
| 7 | 537265801 | HYLSA | | 1 |
| 8 | 537165002 | ÖVERFALL | | 1 |
| 9 | 537058103 | KABLAGE KPL | | 1 |
| 10 | 503854401 | GASSPÄRR | | 1 |
| 11 | 503998601 | RETURFJÄDER | | 5 |
| 12 | 720182520 | CYLINDRISK PINNE | | 1 |
| 13 | 503854501 | UTLÖSARE | | 1 |
| 14 | 501152901 | TANKLUFTNING KPL | | 1 |
| 15 | 537099608 | BRÄNSLETANK KPL | | |

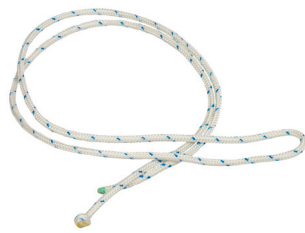


LUFT FILTER
PNC: # 537264902

LUFT FILTER
PNC: # 537264901

LUFT FILTER
PNC: # 537264903

TÄNDSTIFT RCJ7Y
PNC: # 503235108



STARTER SPRING - HANDHELD
PRODUCTS
PNC: # 537093101

STARTLINA
PNC: # 505305125

PNC: # 503895001

FUEL/OIL CAP - CHAINSAW
PNC: # 537215202



FUEL/OIL CAP - CHAINSAW
PNC: # 537215203

FUEL/OIL CAP - CHAINSAW
PNC: # 537281502

BRÄNSLE FILTER
PNC: # 503443201

PNC: # 503220001



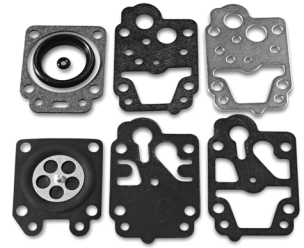
PNC: # 537071201



PNC: # 503886301



ANTIVIBRATION ELEMENT REAR
PNC: # 503898301



PNC: # 537177901



RINGDREV
PNC: # 501457402



PNC: # 544180103

PNC: # 537110501



CLUTCH - HANDHELD PRODUCTS
PNC: # 537110503



CLUTCH DRUM ASSY - CHAINSAW
PNC: # 537043001
PNC: # 503980002



PNC: # 537043002



PNC: # 503854501



PNC: # 503854401