

AUTOMOWER[®] 260 ACX

2010

Spare parts

Ersatzteile

Pièces détachées

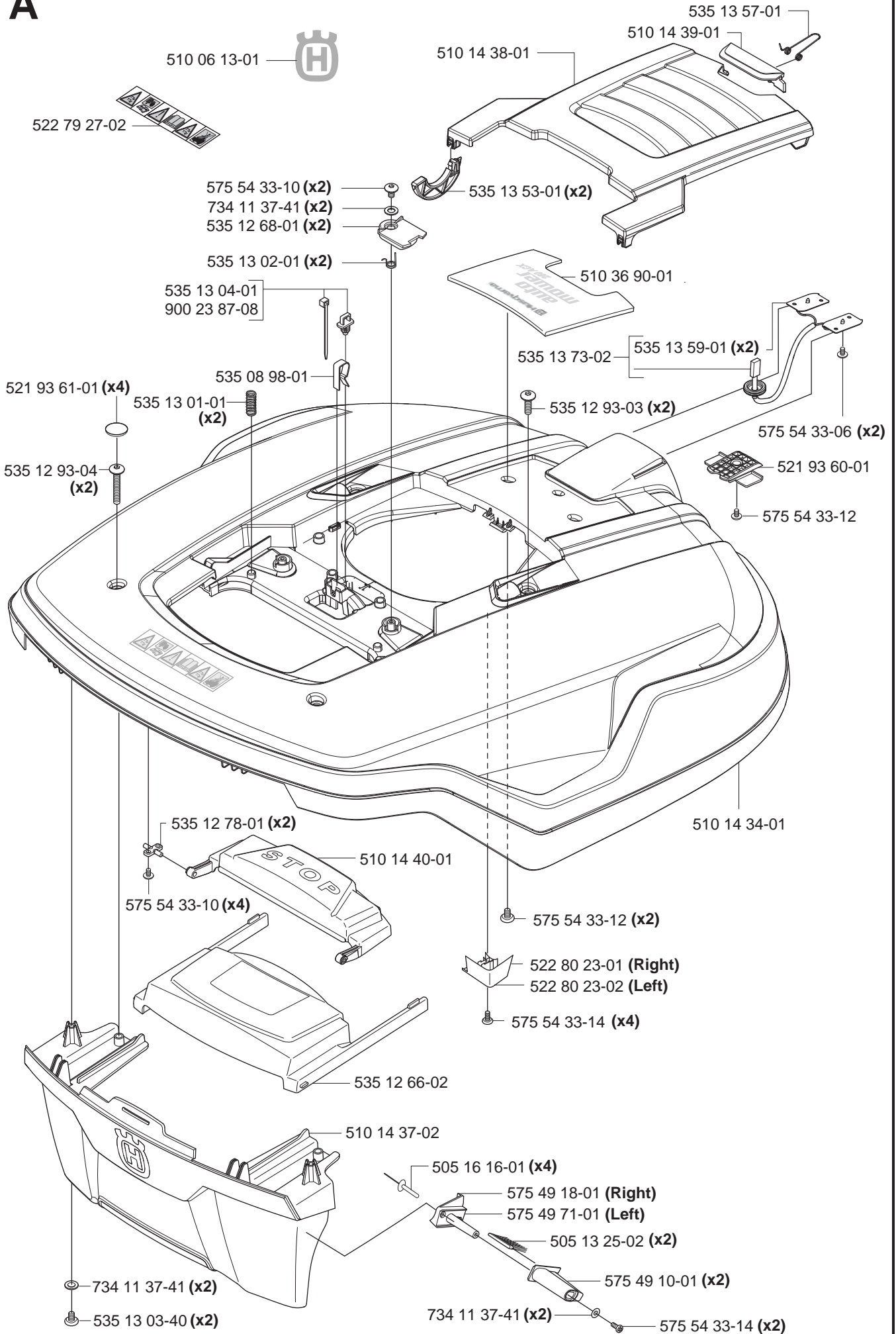
Reserve onderdelen

Repuestos

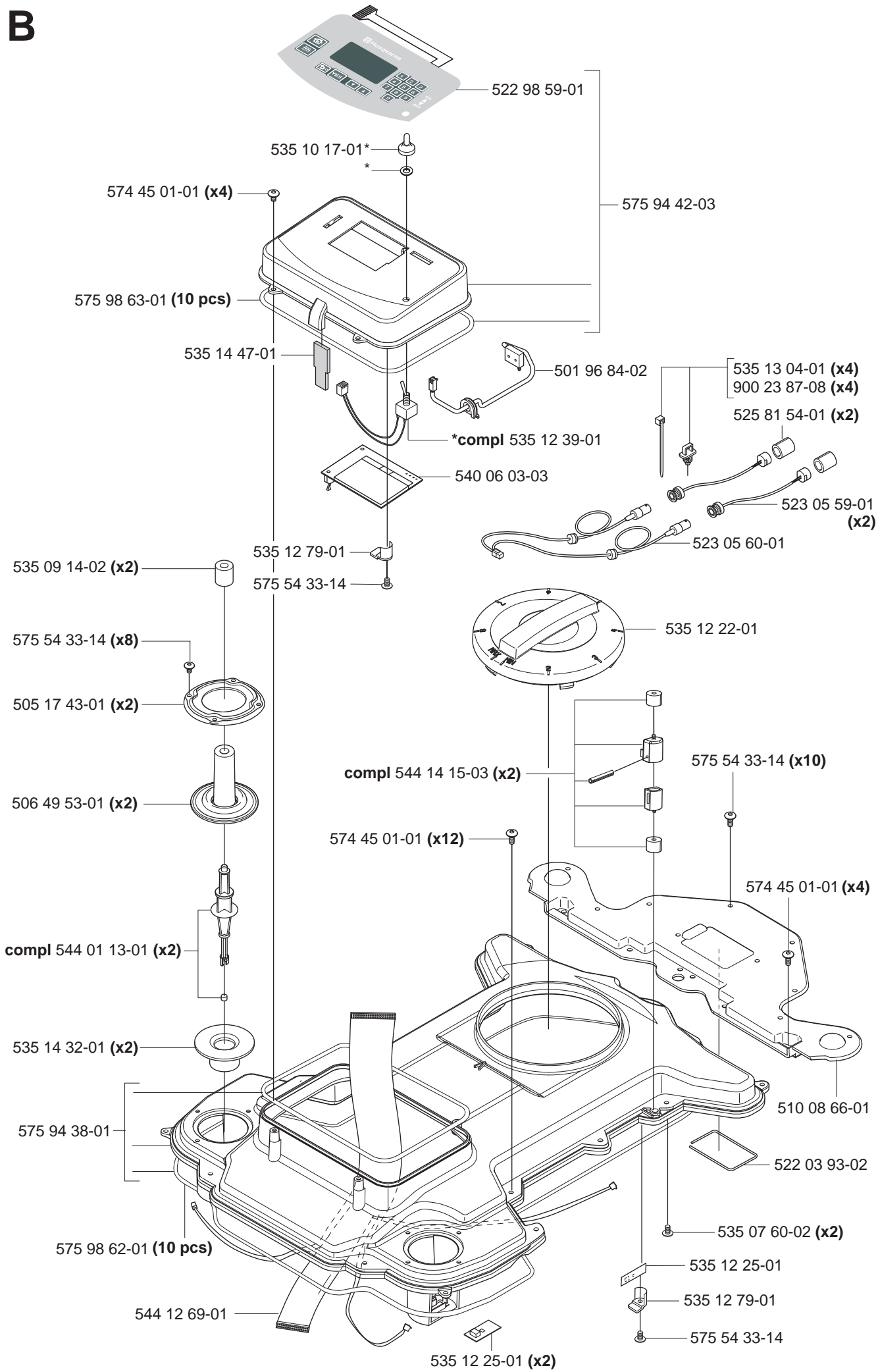
Reservdelar

PART NUMBER	SQUARE	NOTE	PART NUMBER	SQUARE	NOTE	PART NUMBER	SQUARE	NOTE
115 09 82-XX	I	N	522 78 24-05	G	N	535 13 96-01	C	
115 13 03-XX	I	N	522 78 24-06	G	N	535 14 12-01	H	
115 13 05-XX	I	N	522 79 27-02	A		535 14 12-02	H	
115 13 09-XX	I		522 80 23-01	A		535 14 27-07	H	
115 27 61-XX	I	N	522 80 23-02	A		535 14 32-01	B	
115 27 62-XX	I	N	522 85 16-02	H		535 14 47-01	B	
115 27 63-XX	I	N	522 85 17-02	H		540 05 96-02	C	
115 27 64-XX	I	N	522 85 18-02	H		540 06 03-03	B	
115 27 65-XX	I	N	522 91 41-01	G		544 01 13-01	B	
501 00 18-01	H		522 91 66-01	H		544 12 69-01	B	
501 00 37-04	C		522 98 59-01	B		544 14 15-03	B	
501 00 42-01	C		523 05 59-01	B		544 45 41-04	E	N
501 96 84-02	B		523 05 60-01	B		544 90 51-02	C	
501 98 02-01	G		525 25 14-01	D		544 90 58-02	C	
501 98 02-02	G		525 63 70-01	G		544 90 68-02	C	
501 98 03-01	G		525 81 54-01	B		544 90 70-02	C	N
501 98 03-02	G		529 28 08-01	G		544 98 38-08	E	N
502 23 91-01	D		535 07 60-01	D		574 28 96-02	D	N
502 85 96-01	C		535 07 60-02	B		574 30 03-02	C	N
504 04 97-01	G		535 08 78-03	C		574 30 06-01	C	
504 20 08-01	C		535 08 98-01	A		574 42 74-01	C	N
505 12 78-01	H		535 09 14-02	B		574 44 98-01	C	N
505 12 78-02	H		535 10 17-01	B		574 45 01-01	B	N
505 13 25-02	A	N	535 12 21-02	C		574 82 75-01	E	N
505 16 16-01	A	N	535 12 22-01	B		574 90 20-03	E	N
505 17 43-01	B		535 12 23-01	D		575 24 14-01	F	N
505 19 35-01	C		535 12 24-01	C		575 24 14-02	F	N
505 69 99-91	H		535 12 25-01	B		575 24 14-03	F	N
506 49 53-01	B		535 12 31-02	C		575 24 14-04	F	N
510 05 86-02	D	N	535 12 39-01	B		575 24 14-05	F	N
510 05 97-02	E	N	535 12 44-01	E		575 24 14-06	F	N
510 06 13-01	A		535 12 47-02	E		575 23 16-01	E	N
510 06 62-01	D		535 12 50-01	E		575 23 17-01	C	N
510 08 66-01	B		535 12 66-02	A		575 23 86-01	G	N
510 08 67-02	C	N	535 12 68-01	A		575 35 10-01	C	N
510 14 34-01	A		535 12 73-06	G		575 49 10-01	A	N
510 14 37-02	A	N	535 12 78-01	A		575 49 18-01	A	N
510 14 38-01	A		535 12 79-01	B		575 49 71-01	A	N
510 14 39-01	A		535 12 85-01	E		575 50 76-01	C	N
510 14 40-01	A		535 12 86-01	E		575 52 16-01	D	N
510 14 41-01	D		535 12 87-02	E		575 52 17-01	D	N
510 14 42-01	D		535 12 90-01	G		575 52 18-01	D	N
510 14 46-01	C		535 12 93-03	A		575 52 19-01	D	N
510 20 99-01	H		535 12 93-04	A		575 52 95-01	D	N
510 36 81-01	C		535 13 01-01	A		575 54 33-06	A	N
510 36 90-01	A		535 13 02-01	A		575 54 33-10	ACE	N
521 93 31-02	C		535 13 03-14	C		575 54 33-12	AC	N
521 93 60-01	A		535 13 03-40	A		575 54 33-14	ABCDE	N
521 93 61-01	A		535 13 04-01	AB		575 54 33-16	BC	N
521 93 65-01	C		535 13 05-01	D		575 54 72-01	D	N
522 03 93-01	C		535 13 16-01	G		575 55 32-01	D	N
522 03 93-02	B		535 13 23-02	H		575 94 38-01	B	N
522 42 58-01	H		535 13 53-01	A		575 94 39-01	C	N
522 51 06-01	D		535 13 57-01	A		575 94 42-03	B	N
522 51 64-01	H		535 13 59-01	A		575 98 62-01	B	N
522 59 71-01	C		535 13 73-02	A		575 98 63-01	B	N
522 59 72-01	C		535 13 80-01	C		576 01 93-01	C	N
522 59 73-01	C		535 13 87-01	H		576 21 43-01	C	N
522 73 65-01	H	N	535 13 87-02	H		728 83 60-01	D	N
522 78 24-01	G		535 13 88-01	H		734 18 14-59	D	N
522 78 24-02	G		535 13 88-02	H		734 11 37-41	AC	
522 78 24-03	G		535 13 92-02	C		900 23 87-08	AB	
522 78 24-04	G	N	535 13 94-01	C				

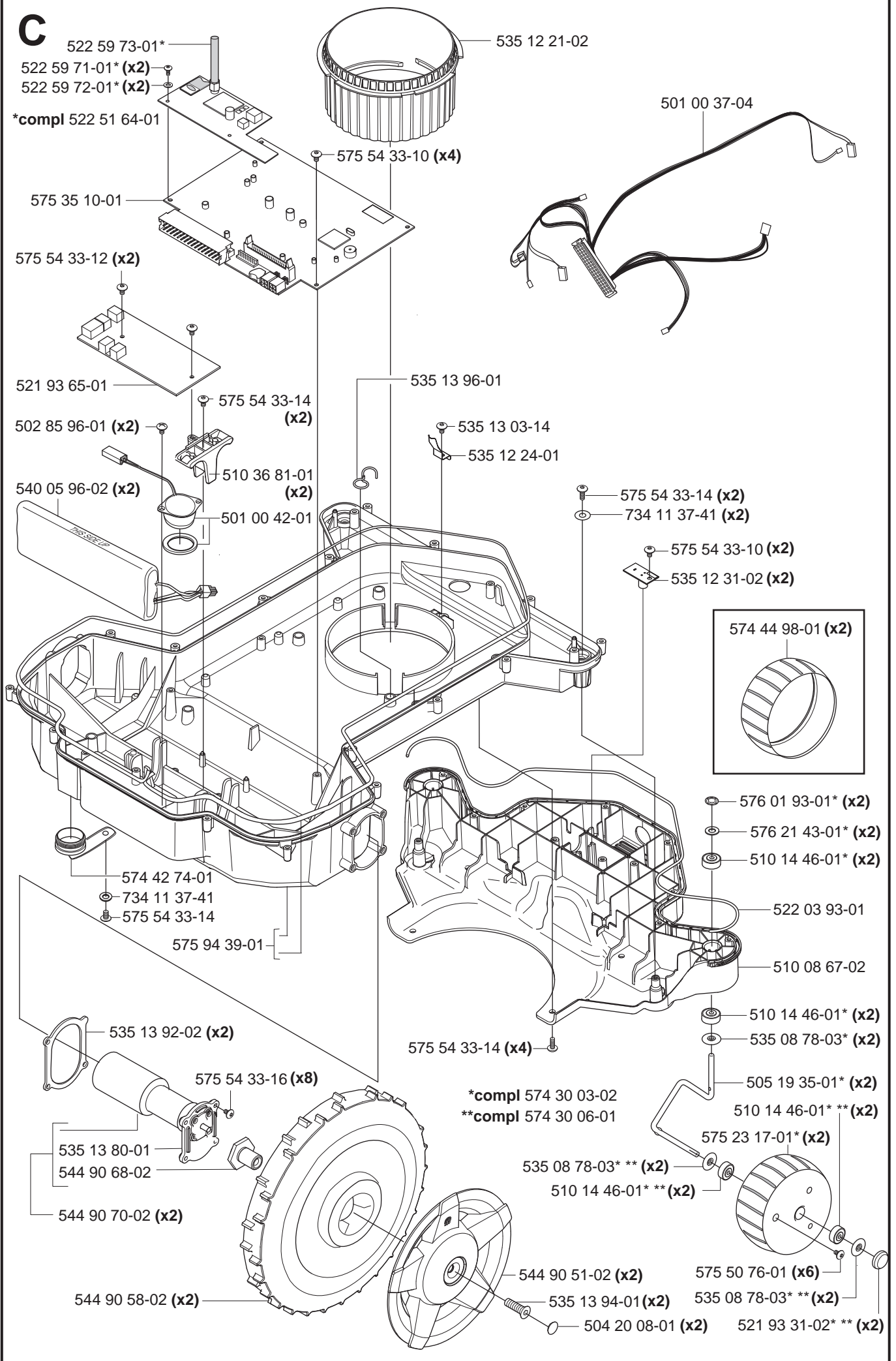
A



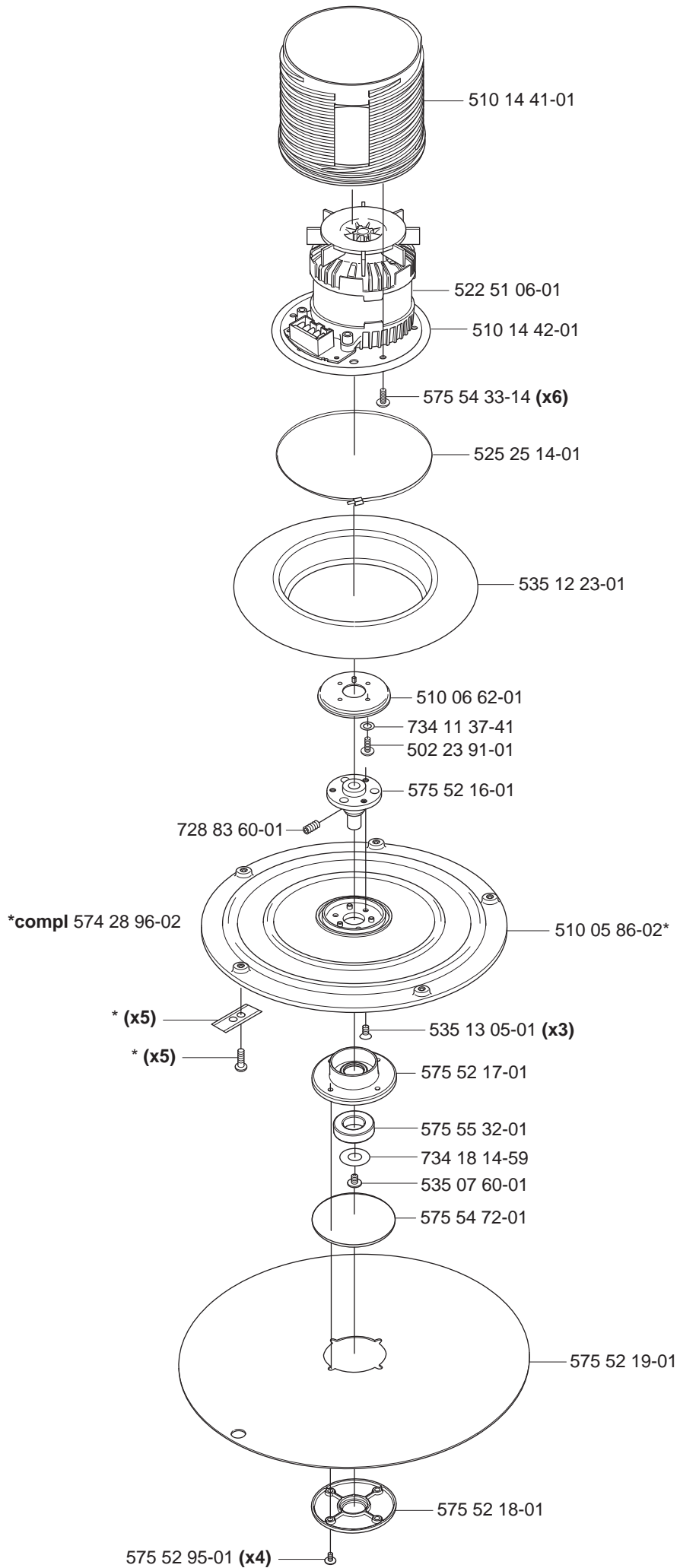
B

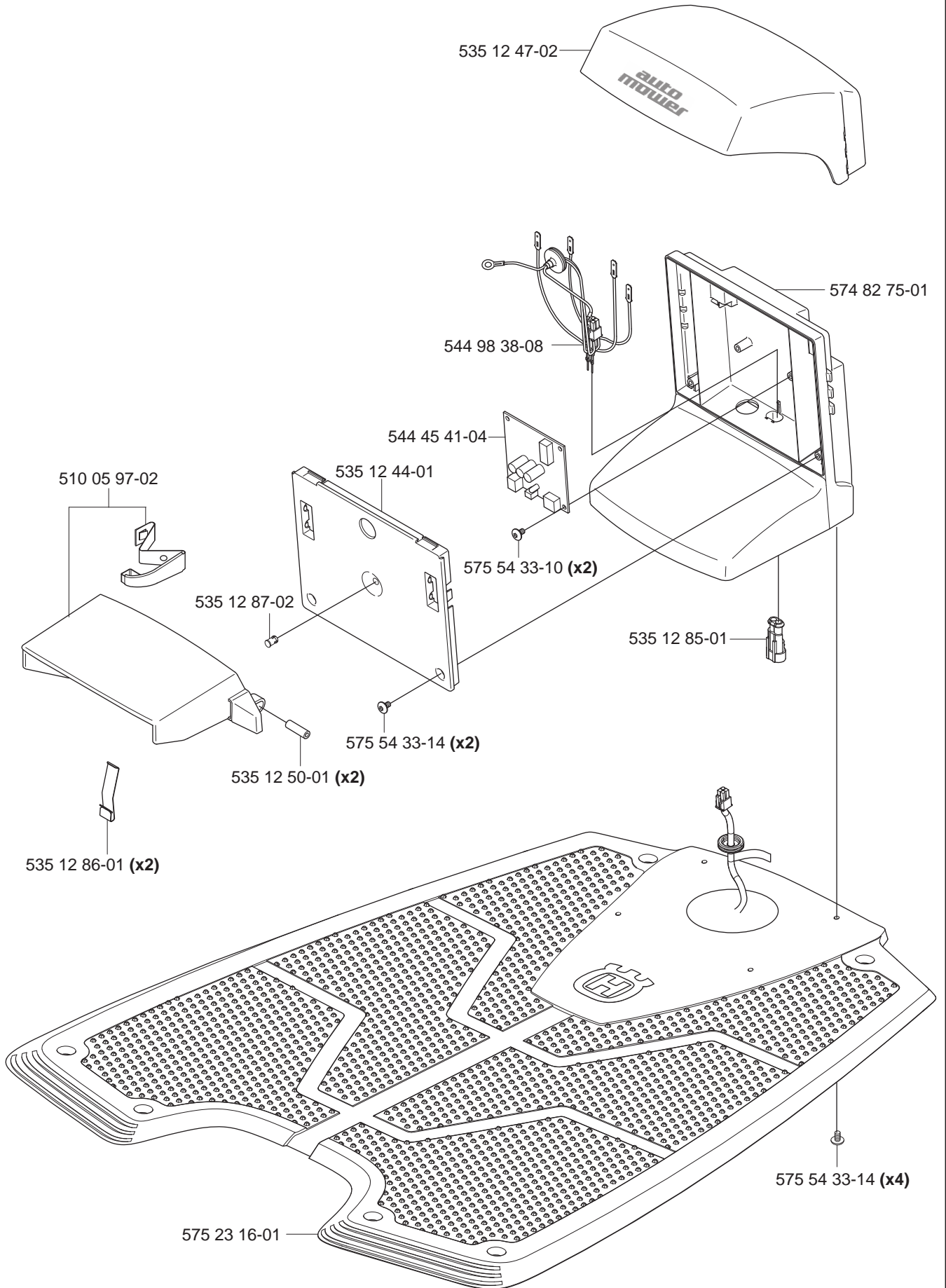


C

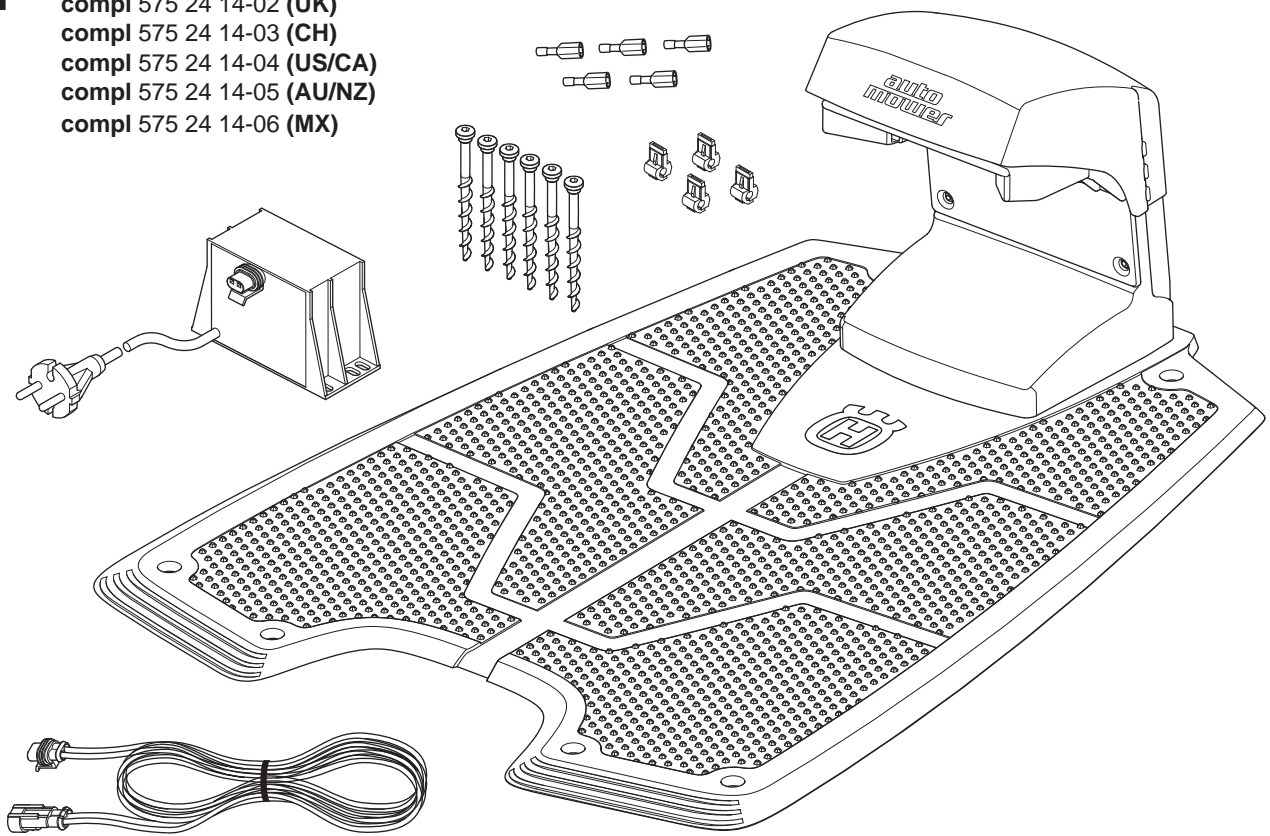


D

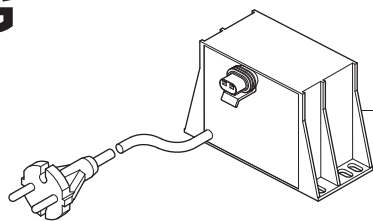




- F** compl 575 24 14-01 (EU)
 compl 575 24 14-02 (UK)
 compl 575 24 14-03 (CH)
 compl 575 24 14-04 (US/CA)
 compl 575 24 14-05 (AU/NZ)
 compl 575 24 14-06 (MX)



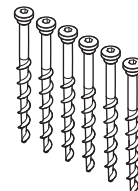
G



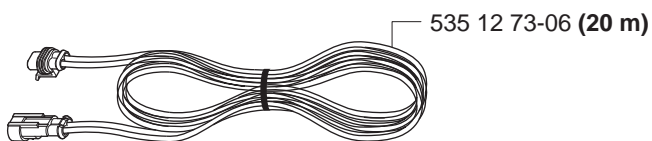
- 522 78 24-01 (EU)
 522 78 24-02 (UK/IRL)
 522 78 24-03 (CH)
 522 78 24-04 (US)
 522 78 24-05 (AU/NZ)
 522 78 24-06 (MX)



504 04 97-01 (100 pcs)



575 23 86-01 (6 pcs)



535 12 73-06 (20 m)



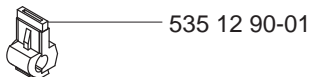
501 98 03-02 (150 m)



529 28 08-01



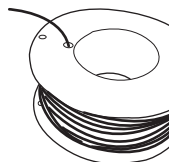
501 98 03-01 (250 m)



535 12 90-01



501 98 02-01 (1 pcs)



522 91 41-01 (500 m, Ø3.4 mm)



501 98 02-02 (50 pcs)





525 63 70-01

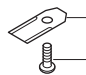


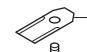
535 13 16-01


H Accessories Zubehöre Accessoires Acessorios Tillbehör

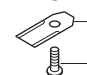
 535 13 87-01 (9 pcs Original)


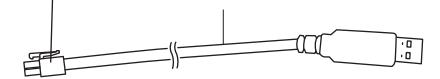
 535 13 88-01 (30 pcs Original)

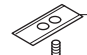
 505 12 78-01 (500 pcs Original)


 535 13 87-02 (9 pcs)


 535 13 88-02 (30 pcs)

 505 12 78-02 (500 pcs)

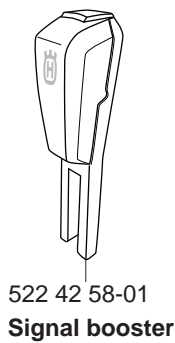
 Automower-PC Cable (USB)
535 13 23-02


 522 85 16-02 (9 pcs)

 522 85 17-02 (30 pcs)

 522 85 18-02 (300 pcs)


 535 14 27-07 CD Autocheck 2009

 522 42 58-01
Signal booster

 522 91 66-01

 535 14 12-01 (85 ml)

 535 14 12-02 (300 ml)

 510 20 99-01 Heavy wheel (400g)

 522 73 65-01 PIN code transfer unit



Quick Guide 210 C	115 13 03-XX	(US is -26)
Quick Guide 220 AC & 230 ACX	115 13 05-XX	(US is -26)
Quick Guide Solar Hybrid	115 09 82-XX	(US is -26)
Quick Guide 260 ACX	115 13 09-XX	(US is -26)
Owner's Manual 210 C	115 27 61-XX	
Owner's Manual 220 AC & 230 ACX	115 27 62-XX	
Owner's Manual Solar Hybrid	115 27 63-XX	
Owner's Manual 260 ACX	115 27 64-XX	
Technical Handbook 2010	115 27 65-XX	

-01	Svenska
-06	Dansk
-11	Soumi
-21	Norsk
-26	GB English
-31	Français
-32	CA Français
-36	Nederlands
-41	Italiano
-46	Español
-51	Deutsch
-56	Русский
-58	Magyar
-59	Português
-61	Polski
-63	Eesti
-64	Latviski
-65	Lietuvių
-68	Slovák
-76	Türkçe
-81	Hrvatski
-84	Slovenčina
-90	Česky
-95	US English
-96	US Español