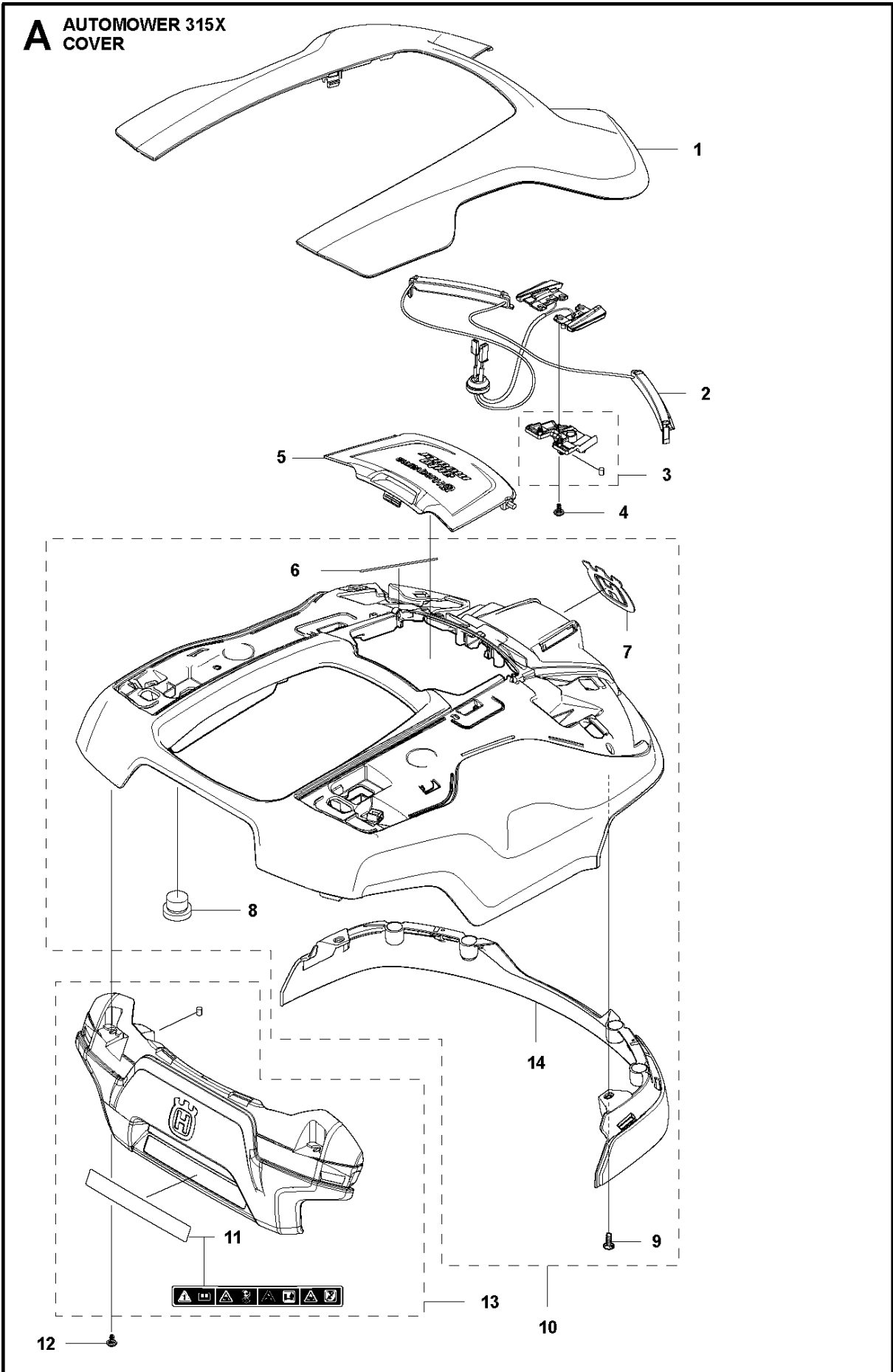




SPARE PARTS LIST

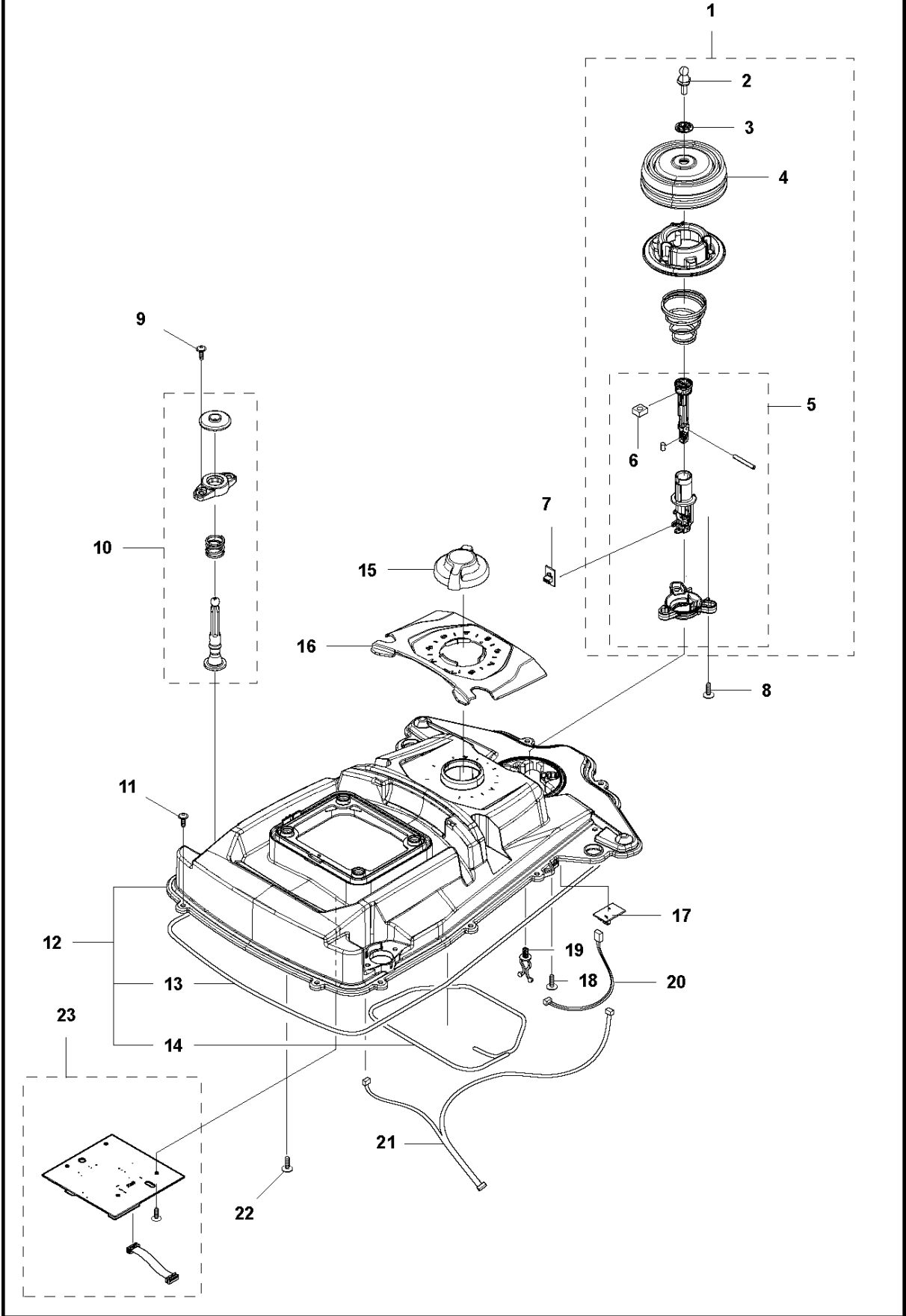
ROBOTIC LAWN MOWERS
AUTOMOWER 315X, 2018-

A AUTOMOWER 315X
COVER



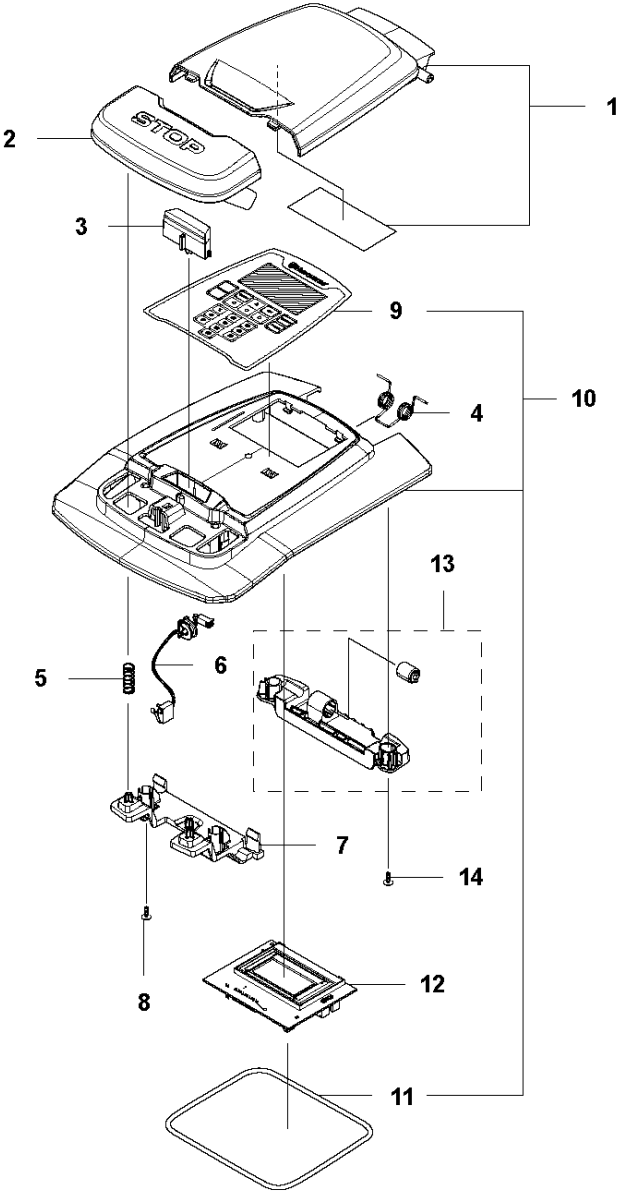
Ref	Artikelnr	Beskrivning	Anmärkning	ANT	SATS
				AL	
1	590 87 69-01	BODY KIT	Top Cover KIT Robotic Grey	1	
1	590 87 69-02	BODY KIT	Top Cover KIT White	1	
2	589 29 91-01	KABLAGE KPL	Wiring Assy	1	
3	587 44 86-02	HOLDER KIT	Holder Assy	1	
4	574 45 01-01	SKRUV ITXPANT	Screw	1	
5	589 55 27-03	HUV	Hood	1	
6	588 47 02-01	FJÄDER	Spring Hood	1	10
7	574 38 21-01	DEKAL	Crown	1	10
8	580 52 68-01	HATT	Cap Snaplock	3	10
9	574 45 01-01	SKRUV ITXPANT	Screw	6	
10	587 44 85-02	BODY KIT	Body Assy	1	
11	586 35 97-01	DEKAL	Label Warning	1	13
12	574 45 01-01	SKRUV ITXPANT	Screw	2	
13	587 44 87-01	STÖTFÅNGARE	Bumper Assy	1	
14	589 33 70-01	STÖTFÅNGARE	Bumper front	1	10

B AUTOMOWER 315X
CHASSIS UPPER



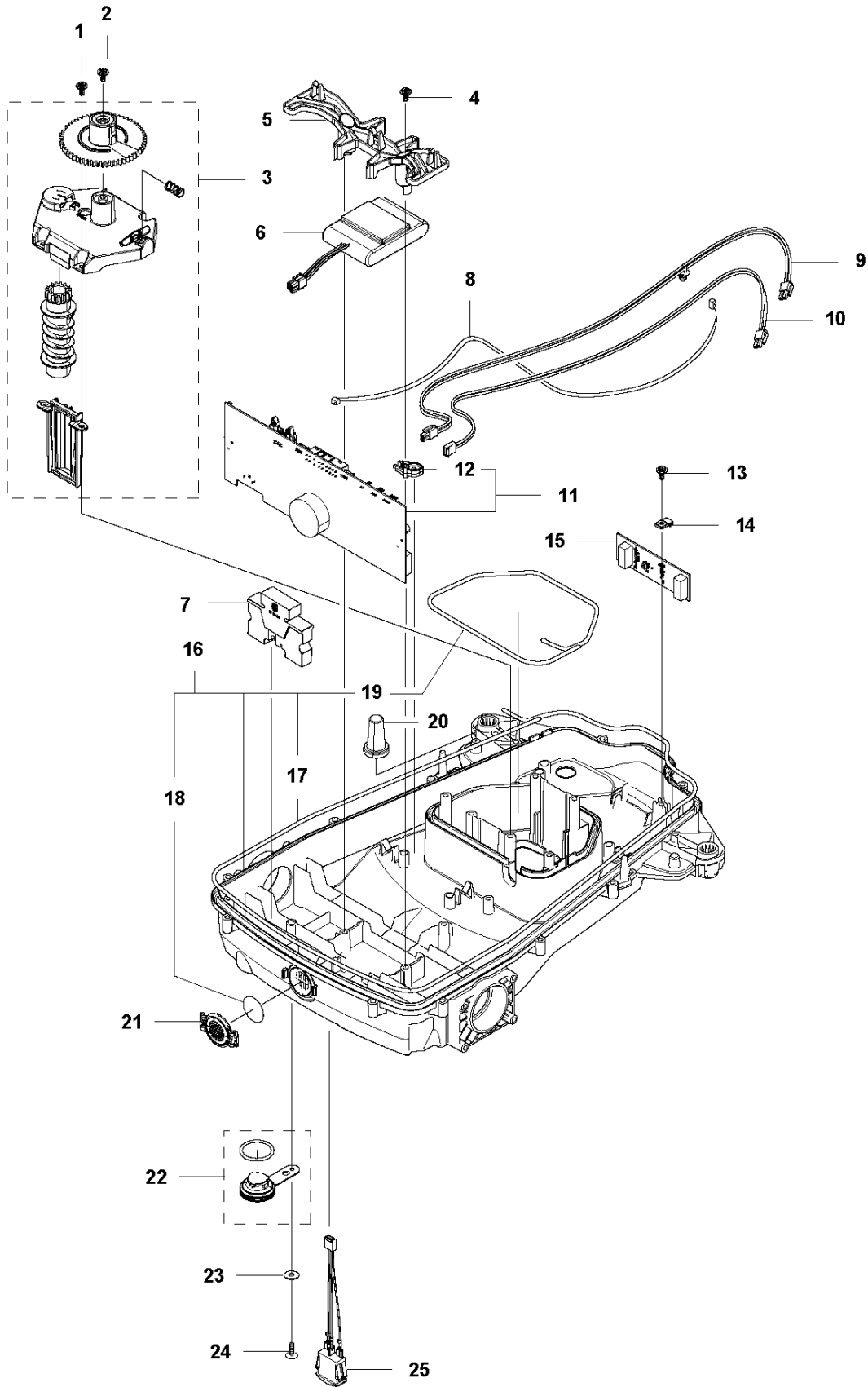
Ref	Artikelnr	Beskrivning	Anmärkning	ANT	SATS
				AL	
1	581 62 09-03	JOYSTICK KIT	Joystick KIT Front	1	
2	580 52 67-01	STUD	Stud	1	1
3	579 52 57-01	BRICKA	Washer	1	1
4	579 47 46-01	BÄLG	Bellows	1	1
5	587 44 88-02	JOYSTICK KIT	Joystick ASSY	1	1
6	503 22 66-01	MUTTER 4-KANT	Square Nut	1	1,5
7	592 85 23-01	KRETSKORT	PCBA Lift Sensor	1	
8	575 54 33-14	SCREW	Screw	3	
9	574 45 01-01	SKRUV ITXPANT	Screw	4	
10	594 05 86-01	JOYSTICK ASSY	Joystick KIT Rear	2	
11	574 45 01-01	SKRUV ITXPANT	Screw	12	
12	587 44 89-02	CHASSIS KIT	Chassis KIT	1	
13	574 87 47-09	TÄTNINGSLIST	Sealing Strip (1 pcs, Ø5 mm)	1	12
14	574 87 47-08	TÄTNINGSLIST	Sealing Strip (1 pcs, Ø5 mm)	1	12
15	587 98 65-02	KNOPP	Knob	1	
16	589 56 09-01	PLATTA	Height Adjustment	1	
17	592 90 95-01	KRETSKORT	PCBA Collision Sensor	1	
18	574 45 01-01	SKRUV ITXPANT	Screw	3	
19	580 68 29-01	HÅLLARE	Holder Twist Lock	3	
20	585 20 85-01	LOOM	Loom Lift-Collision	1	
21	588 79 78-01	KABLAGE KPL	Loom	1	
22	574 45 01-01	SKRUV ITXPANT	Screw	4	
23	586 66 23-05	GPS MODULE	Combo KIT (all markets)	1	

C AUTOMOWER 315X
CENTER CONSOL



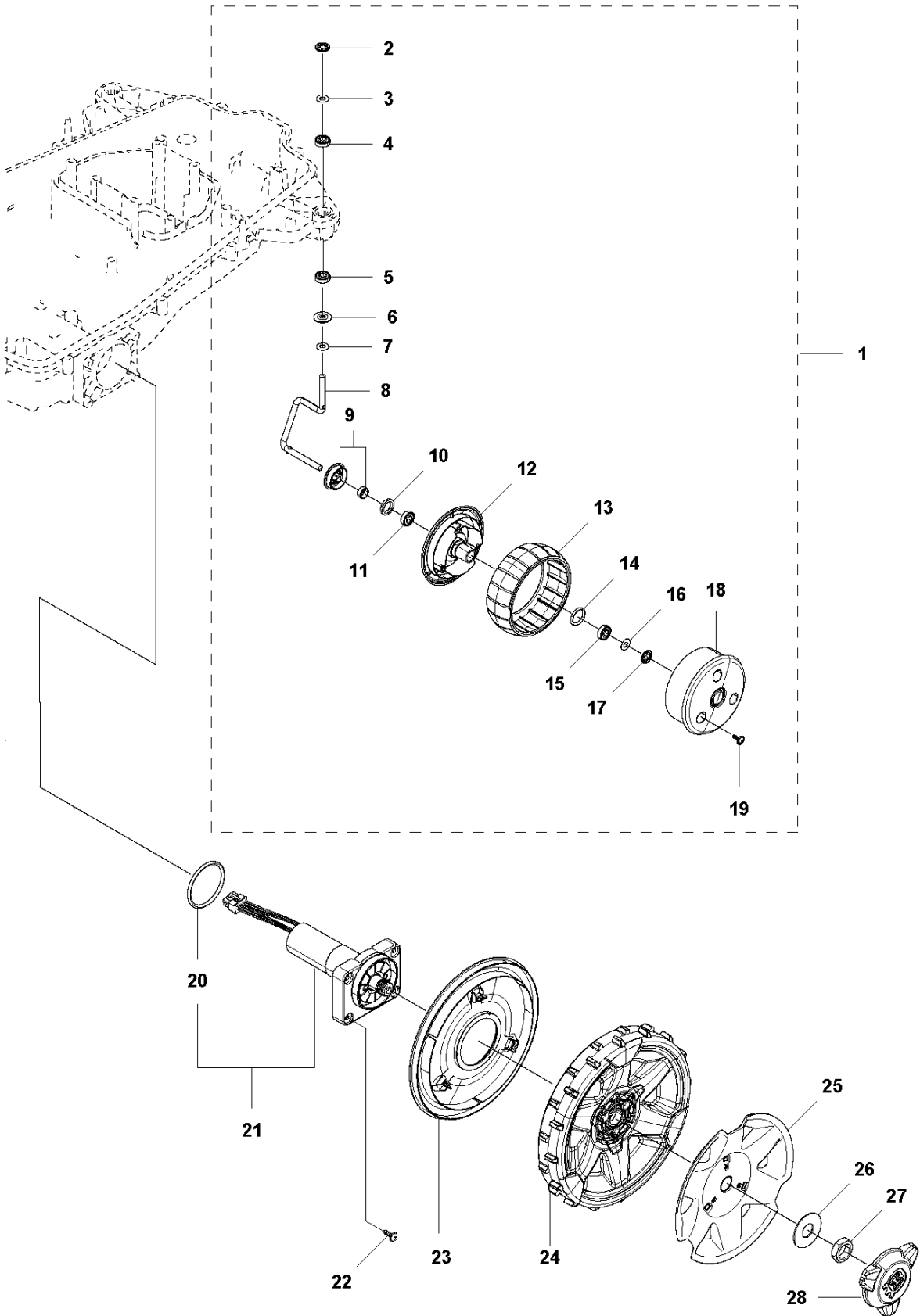
Ref	Artikelnr	Beskrivning	Anmärkning	ANT	SATS
				AL	
1	587 65 13-02	HATCH KIT	Hatch KIT black	1	
2	585 27 56-01	KNAPP	Stop Button	1	
3	585 27 59-01	LÅS	Lock	1	
4	585 25 54-01	VRIDFJÄDER	Torsion Spring	1	
5	576 24 22-01	FJÄDER	Spring	3	
6	574 48 03-02	BRYTARE	Switch	1	
7	585 27 57-01	STÖD	Support Rear	1	
8	575 54 33-14	SCREW	Screw	2	
9	584 97 46-01	TANGENTBORD	"Keyboard 2.8"" Display 315"	1	10
10	587 44 90-03	TÄCKLOCKSSATS	"Cover KIT 2.8"" Display 315X"	1	
11	574 87 47-08	TÄTNINGSLIST	Sealing Strip (1 pcs, Ø5 mm)	1	10
12	592 91 02-01	KRETSKORT	"PCBA MMI 2.8"" Display 315"	1	
13	501 10 61-01	SUPPORT KIT	Support KIT	1	
14	575 54 33-14	SCREW	Screw	2	

D AUTOMOWER 315X
CHASSIS LOWER



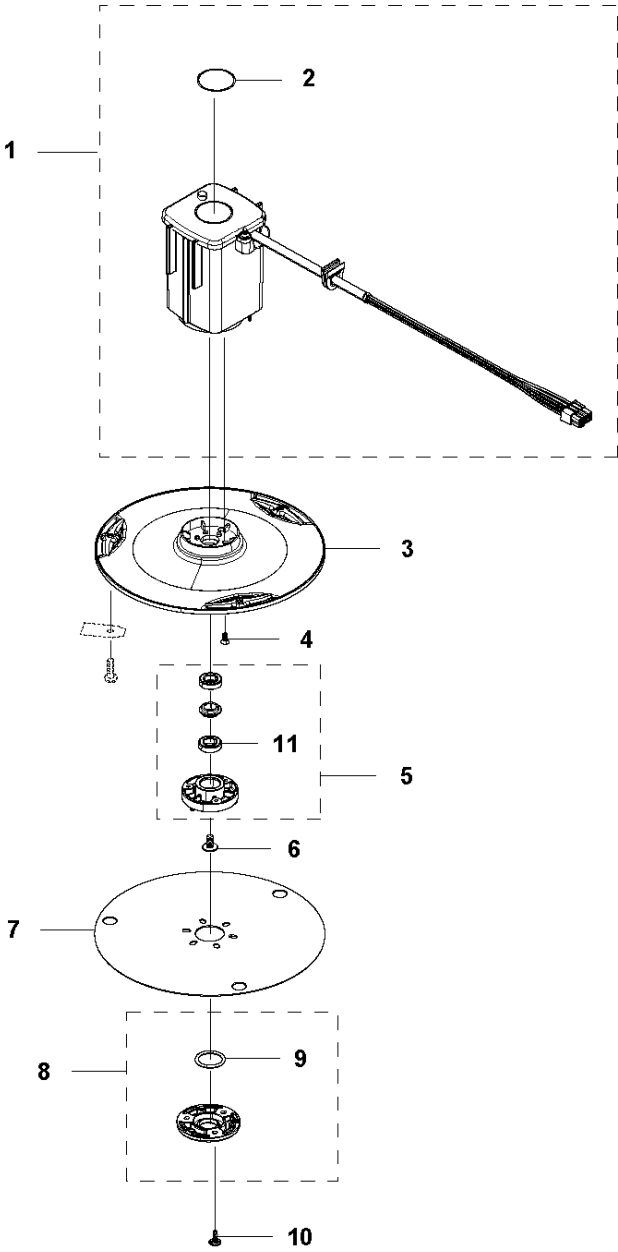
Ref	Artikelnr	Beskrivning	Anmärkning	ANT	SATS	AL
1	574 45 01-01	SKRUV ITXPANT	Screw	4		
2	574 45 01-01	SKRUV ITXPANT	Screw	1		
3	501 10 66-01	TÄCKLOCKSSATS	Cover KIT	1		
4	574 45 01-01	SKRUV ITXPANT	Screw	2		
5	589 49 80-01	HÅLLARE	Holder Battery	1		
6	589 58 62-01	BATTERI	Battery	1		
7	589 36 62-01	VIKT	Weight	1		
8	579 70 82-01	LOOM	Loom Loop Sensor	1		
9	585 53 90-01	LOOM	Loom Charging	1		
10	588 81 84-02	KABLAGE KPL	LED extension	1		
11	592 85 18-01	KRETSKORT	Main Board	1		
12	585 53 83-01	KLÄMMA	Clips	2	11	
13	574 45 01-01	SKRUV ITXPANT	Screw	1		
14	579 52 94-01	ÖVERFALL	Clamp	1		
15	592 85 27-01	KRETSKORT	Sensor Board	1		
16	587 44 92-02	CHASSIS KIT	Chassis Lower KIT	1		
17	574 87 47-09	TÄTNINGSLIST	Sealing Strip (1 pcs, Ø5 mm)	1	16	
18	577 75 37-01	KIT	Air Filter	1	16	
19	574 87 47-08	TÄTNINGSLIST	Sealing Strip (1 pcs, Ø5 mm)	1	16	
20	586 34 26-01	PELARE	Pillar	2		
21	586 03 89-01	KÅPA	Cover Filter	1		
22	581 62 12-02	PLUG KIT	Plug KIT	1		
23	734 11 37-41	BRICKA	Washer	1		
24	574 45 01-01	SKRUV ITXPANT	Screw	1		
25	579 70 87-01	KABLAGE KPL	Loom On-Off	1		

E AUTOMOWER 315X
WHEELS & TIRES



Ref	Artikelnr	Beskrivning	Anmärkning	ANT	SATS AL
1	587 65 19-01	WHEEL KIT	Front Wheel KIT	2	
2	576 01 94-02	LÅSBRICKA	Lock Washer	2	1
3	585 19 68-01	BRICKA	Washer	2	1
4	585 21 42-01	KULLAGER	Ball Bearing	2	1
5	585 21 42-01	KULLAGER	Ball Bearing	2	1
6	535 08 78-02	BRICKA	Washer	2	1
7	585 19 68-01	BRICKA	Washer	2	1
8	585 18 72-01	SPINDEL	Spindle	2	1
9	587 44 93-01	SHIELD KIT	Shield KIT	2	1
10	580 48 71-01	TÄTNING	Sealing	2	1
11	585 21 42-01	KULLAGER	Ball Bearing	2	1
12	579 45 71-01	HJUL	Wheel Inside	2	1
13	574 44 98-01	HJUL	Wheel Tyre	2	1
14	580 44 51-01	O-RING	O-ring	2	1
15	585 21 42-01	KULLAGER	Ball Bearing	2	1
16	585 19 68-01	BRICKA	Washer	2	1
17	576 01 94-01	LÅSBRICKA	Lock Washer	2	1
18	579 45 72-01	HJUL	Wheel Outside	2	1
19	575 54 33-14	SCREW	Screw	6	1
20	580 44 39-02	O-RING	O-ring	2	21
21	587 44 94-03	MOTOR KIT	Motor Assy (o-ring incl from suppl)	2	
22	574 45 01-01	SKRUV ITXPANT	Screw	8	
23	585 06 56-01	KÅPA	Cover - Rear Wheel	2	
24	590 21 75-03	HJUL	Rear Wheel	2	
25	590 21 78-01	HJULKÅPA	Cover Painted	2	
26	586 21 06-01	BRICKA	Washer	2	
27	731 43 24-01	HEXAGON TUNN MUTTER	Thin Nut	2	
28	579 50 55-02	NAVKAPSEL	Hub Cap	2	

F AUTOMOWER 315X
BLADE MOTOR & CUTTING EQUIPMENT

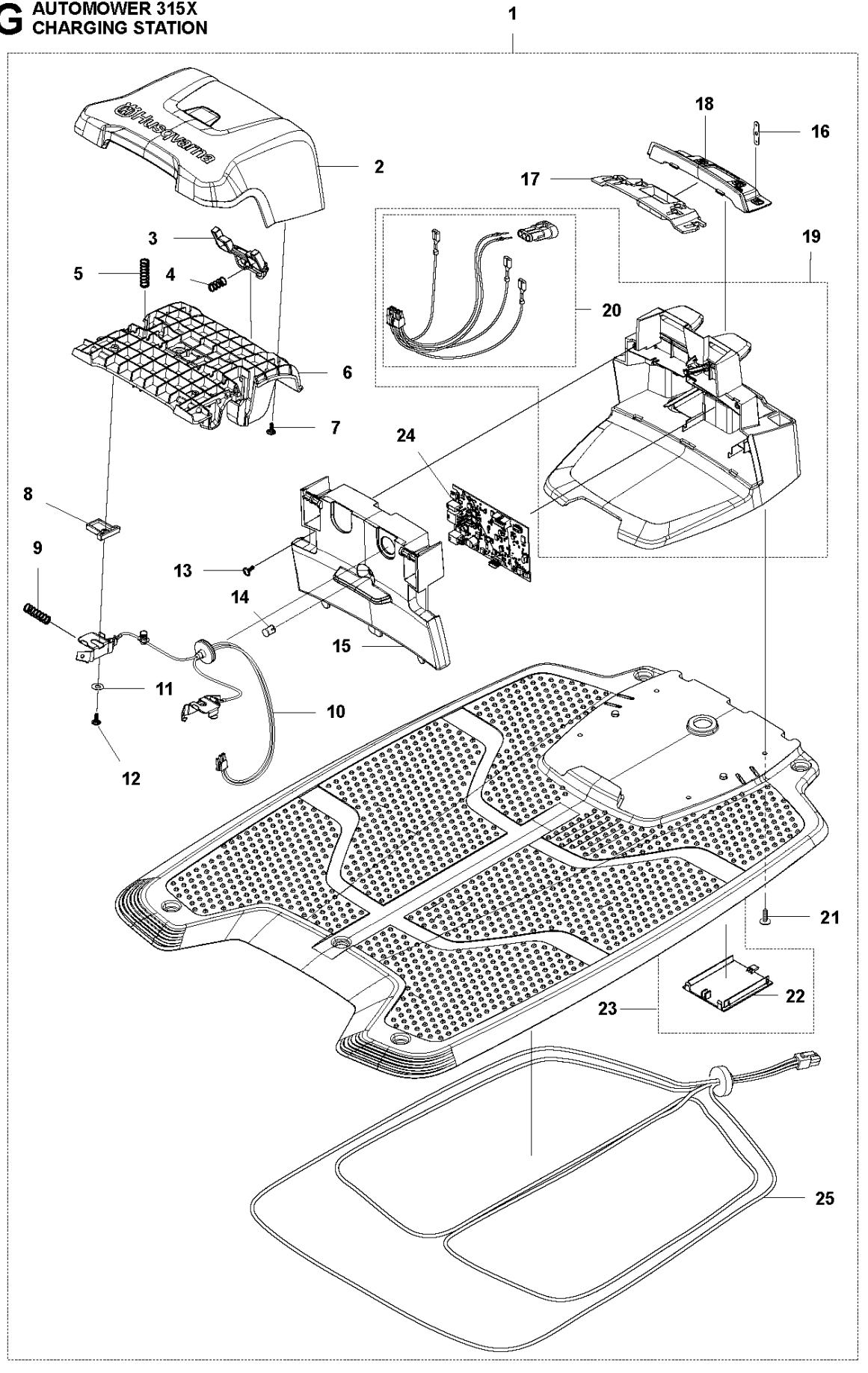


KNIVMOTOR OCH SKÄRUTRUSTNING

AUTOMOWER 315X, 2018-

Ref	Artikelnr	Beskrivning	Anmärkning	ANT	SATS
				AL	
1	584 92 05-02	MOTOR KPL	Motor ASSY (filter incl from suppl)	1	
2	577 75 37-01	KIT	Air Filter	1	1
3	585 29 69-01	KNIVDISK	Cutting Disk	1	
4	535 13 05-02	SCREW	Screw	3	
5	588 42 17-02	LAGERHUS KPL	Bearing Housing ASSY	1	
6	535 07 60-01	SCREW	Screw	1	
7	585 29 70-01	HASPLÅT	Skid Plate	1	
8	587 44 96-01	TÄCKLOCKSSATS	Cover Assy	1	
9	585 29 75-01	O-RING	O-Ring	1	8
10	575 54 33-14	SCREW	Screw	3	
11	535 07 57-03	KULLAGER		1	5
11	593 08 08-01	KULLAGER	Tube 50 pcs	1	

G AUTOMOWER 315X
CHARGING STATION

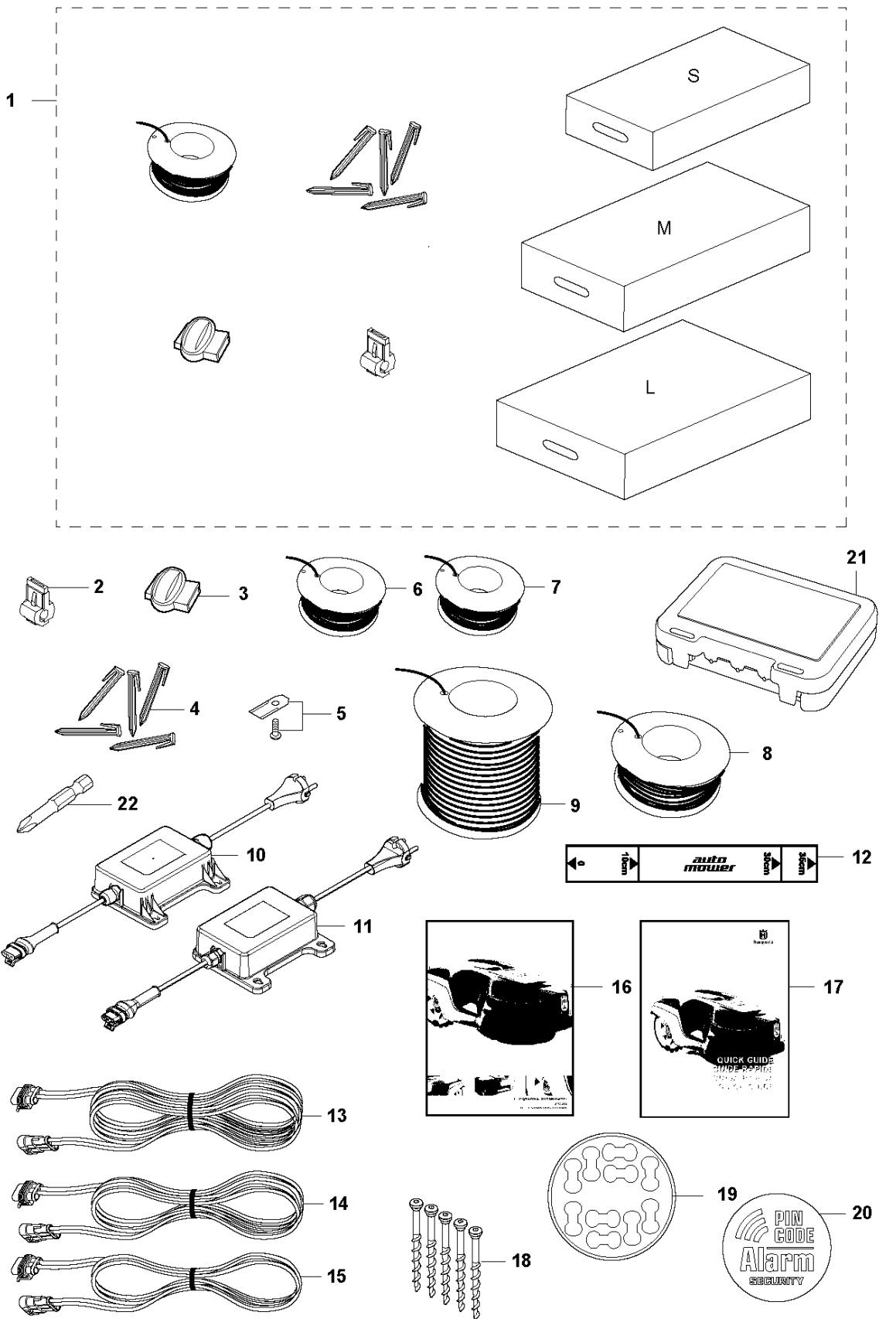


LADDSTATION

AUTOMOWER 315X, 2018-

Ref	Artikelnr	Beskrivning	Anmärkning	ANT	SATS
				AL	
1	585 16 40-02	LADDSTATION	Charging Station	1	
2	585 07 11-02	HATT	Cap	1	
3	579 46 24-02	KNAPP	Button - Release	1	
4	574 48 70-01	FJÄDER	Spring	1	
5	580 51 14-01	FJÄDER	Spring	2	
6	579 45 80-04	RAM	Frame	1	
7	575 54 33-14	SCREW	Screw	4	
8	579 46 05-01	DISTANS	Distance	2	
9	580 51 14-01	FJÄDER	Spring	2	
10	585 53 95-02	KABLAGE KPL	Loom Charging Contact	1	
11	734 11 37-41	BRICKA	Washer	2	
12	575 54 33-14	SCREW	Screw	2	
13	575 54 33-14	SCREW	Screw	2	
14	590 21 72-01	LINS	Lens	1	
15	585 07 14-01	LOCK	Lid	1	
16	580 50 41-01	POLSKO	Terminal	3	
17	579 45 98-01	PAN	Panel	1	
18	579 45 99-01	HÅLLARE	Holder	1	
19	588 41 61-01	HUS KPL	Housing	1	
20	587 65 15-01	LOOM KIT	Loom KIT	1	19
21	575 54 33-14	SCREW	Screw	4	
22	585 91 93-01	KÅPA	Cover	1	23
23	587 65 16-02	LADDPLATTA	Charging Plate KIT	1	
24	592 90 93-01	KRETSKORT	Printed Circuit ASSY PCBA	1	
25	590 52 72-01	KABLAGE KPL	Cable Assy	1	

H AUTOMOWER 315X INSTALLATION ACCESSORIES



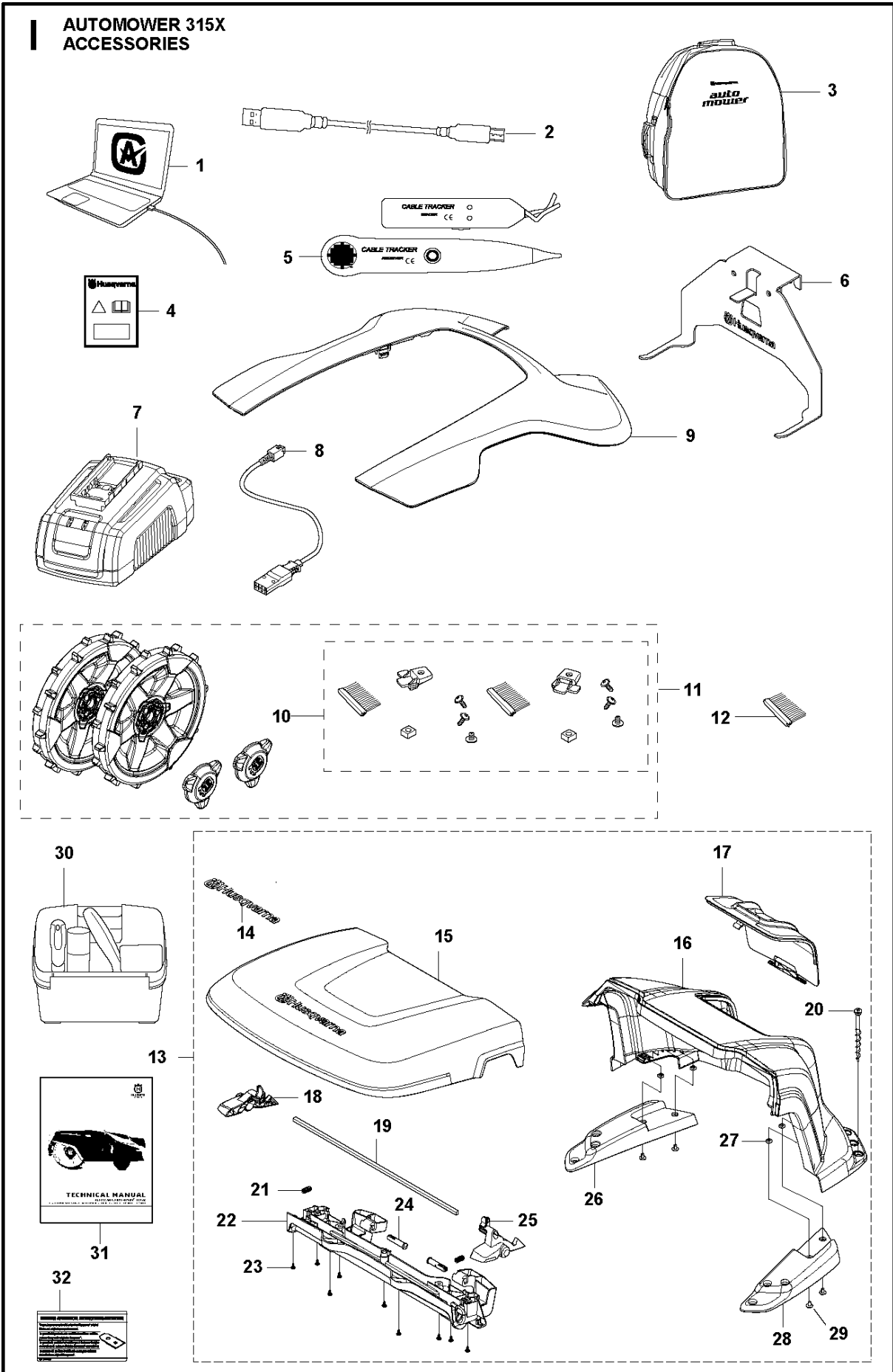
Ref	Artikelnr	Beskrivning	Anmärkning	ANT SATS AL
1	967 62 36-01	INSTALLATION KIT	"Installation KIT S: Wire (150 m), Staples (300 pcs), Connectors (3 pcs), Couplers (5 pcs)"	1
1	967 62 36-02	INSTALLATION KIT	"Installation KIT M: Wire (250 m), Staples (400 pcs), Connectors (3 pcs), Couplers (5 pcs)"	1
1	967 62 36-03	INSTALLATION KIT	"Installation KIT L: Wire (400 m), Staples (600 pcs), Connectors (5 pcs), Couplers (5 pcs)"	1
2	535 12 90-01	KOPPLING	Loop Wire Connector	1
2	535 12 90-02	KOPPLING	Loop Wire Connector, Blister Pack, 100 pcs	1
2	577 86 48-01	KOPPLING	Loop Wire Connector, Blister Pack, 5 pcs	1
3	501 98 02-01	KOPPLING	Coupler	1
3	577 86 47-01	KOPPLING	Coupler, Blister Pack, 5 pcs	2
3	501 98 02-03	KOPPLING	Coupler, 100 pcs	1
4	583 97 34-01	KLAMMER	Staples, 100 pcs	1
5	577 86 46-03	BLADE SET	Long Life - Safety Blade, Blister Pack, 9 pcs	1
5	577 60 65-05	BLADE SET	Long Life - Safety Blade, 45 pcs	1
5	577 60 66-04	BLADE SET	Long Life - Safety Blade, 300 pcs	1
6	577 86 43-02	VAJER	Wire, Blister Pack, (50 m)	1
6	580 66 20-02	VAJER	Wire (150 m)	1
6	577 86 43-01	VAJER	Wire, Blister Pack, (150 m)	1
7	580 66 20-01	VAJER	Wire (250 m)	1
8	522 91 41-01	VAJER	Wire (500 m) Ø3,4mm	1
9	580 66 20-04	VAJER	Wire (800 m)	1
10	593 16 36-01	DRIVENHET	Power Supply Unit EU	1
11	584 86 26-02	DRIVENHET	Power Supply Unit UK, IE	1
11	584 86 26-03	DRIVENHET	Power Supply Unit CH	1
11	584 86 26-04	DRIVENHET	Power Supply Unit US, CA	1
11	584 86 26-05	DRIVENHET	Power Supply Unit AU, NZ	1
11	584 86 26-06	DRIVENHET	Power Supply Unit JP	1
11	584 86 26-07	DRIVENHET	Power Supply Unit KR	1
12	544 17 75-01	MÅTTBAND	Measuring Tape	1
13	579 82 51-01	KABLAGE KPL	Low voltage cable 20m	1
14	579 82 51-02	KABLAGE KPL	Low voltage cable 10m	1
15	579 82 51-03	KABLAGE KPL	Low voltage cable 3m	1
15	579 82 51-04	KABLAGE KPL	Low Voltage Cable (5 m)	1
16	115 90 71-10	BRUKSANVISNING	OM Slim P1/P15/P2 SE/DK/NO/FI	1
16	115 90 71-20	BRUKSANVISNING	OM Slim P1/P15/P2 DE/FR/NL/SI	1
16	115 90 71-30	BRUKSANVISNING	OM Slim P1/P15/P2 ES/PT/IT/EN	1
16	115 90 71-38	BRUKSANVISNING	OM Slim P1/P15/P2 EN/ES/FR/JP	1
16	115 90 71-39	BRUKSANVISNING	OM Slim P1/P15/P2 DE/FR/IT/EN	1
16	115 90 71-40	BRUKSANVISNING	OM Slim P1/P15/P2 RU/EE/LV/LT	1
16	115 90 71-50	BRUKSANVISNING	OM Slim P1/P15/P2 CZ/SK/PL/HU/UA	1
16	115 90 71-93	BRUKSANVISNING	OM Slim P1/P15/P2 HR/TR/RO/GR/BG	1
16	115 90 71-94	BRUKSANVISNING	OM Slim P1/P15/P2 EN/KO/JP	1
17	115 90 61-10	QUICK GUIDE	Quick Guide, SE/NO/DK/FI	1
17	115 90 61-20	QUICK GUIDE	Quick Guide, DE/FR/NL/SI	1
17	115 90 61-30	QUICK GUIDE	Quick Guide, ES/PT/IT/EN	1
17	115 90 61-38	QUICK GUIDE	Quick Guide, EN/ES/FR/JP	1

INSTALLATIONSTILLBEHÖR

AUTOMOWER 315X, 2018-

Ref	Artikelnr	Beskrivning	Anmärkning	ANT SATS AL
17	115 90 61-39	QUICK GUIDE	Quick Guide, DE/FR/IT/EN	1
17	115 90 61-40	QUICK GUIDE	Quick Guide, RU/EE/LV/LT	1
17	115 90 61-50	QUICK GUIDE	Quick Guide, CZ/SK/PL/HU	1
17	115 90 61-93	QUICK GUIDE	Quick Guide, HR/TR/RO/GR	1
17	115 90 61-94	QUICK GUIDE	Quick Guide, EN/UK/KO/JP	1
18	575 23 86-03	SCREW KIT	Screw KIT, 5 pcs	1
19	586 27 79-01	ETIKETT	Sticker, Cable Markers, 10 pcs	1
20	579 57 12-01	DEKAL	Label Alarm	1
21	590 85 50-01	LÅDA	Cable Connector Protection	1
22	596 33 98-01	SKIFTNYCKEL	Bit for Automower blades MOQ 5 pcs	1

**AUTOMOWER 315X
ACCESSORIES**



Ref	Artikelnr	Beskrivning	Anmärkning	ANT	SATS AL
2	577 51 81-02	KABEL	Service Cable (USB)	2	
3	522 91 67-01	VÅSKA	Bag	2	
4	580 68 95-02	DEKAL	Warranty Seal 1pcs	2	
5	577 60 68-01	TESTUTRUSTNING	Interruption Detector	2	
6	587 22 40-01	WALL HANGER	Wallhanger 310/315/315X	2	
7	588 40 84-01	LADDARE	Quick Charger with Battery Test	2	
8	588 20 26-01	KABLAGE KPL	Cable Quick Charger	2	
9	590 87 69-01	BODY KIT	Top Cover Robotic Grey	2	
9	590 87 69-02	BODY KIT	Top Cover White	2	
9	590 87 69-03	BODY KIT	Top Cover Orange	2	
10	587 23 57-01	BORSTSATS	Wheel Brush KIT (Holder x2, Brush x6)	2	11
11	587 23 53-01	WHEEL KIT	Terrain KIT (Brush KIT + Rear wheels)	2	
12	505 13 28-03	BORSTE	Brush, 6 pcs	2	
13	587 23 61-01	HUS	House KIT	2	
14	577 46 90-01	DEKAL	Decal	2	13
15	585 32 35-01	KÅPA	Lid	2	13
16	586 99 38-01	KÅPA	Cover Base	2	13
17	585 32 36-01	LUCKA	Hatch	6	13
18	585 32 40-02	HANDTAG	Handle Left	2	13
19	585 32 41-01	STÅNG	Rod	1	13
20	575 23 86-01	SCREW KIT	Screw KIT, 6 pcs	8	13
21	580 51 14-01	FJÅDER	Spring	2	13
22	585 34 16-01	BALK	Beam	2	13
23	575 54 33-14	SCREW	Screw	2	13
24	585 34 15-01	GÅNGJÄRNSPINNE	Hinge Pin	2	13
25	585 32 40-01	HANDTAG	Handle Right	2	13
26	585 32 38-02	STÖD	Support Left		13
27	503 22 66-01	MUTTER 4-KANT	Square Nut		13
28	585 32 38-01	STÖD	Support Right		13
29	535 12 93-03	SKRUV IHANM	Screw		13
30	590 85 51-01	SATS	Maintenance and cleaning kit		
31	115 82 03-01	VERKSTADSHANDBOK	Technical Handbook -310, 315, Sileno: Swedish		
31	115 82 03-06	VERKSTADSHANDBOK	Technical Handbook -310, 315, Sileno: Danish		
31	115 82 03-11	VERKSTADSHANDBOK	Technical Handbook -310, 315, Sileno: Finnish		
31	115 82 03-21	VERKSTADSHANDBOK	Technical Handbook -310, 315, Sileno: Norwegian		
31	115 82 03-26	VERKSTADSHANDBOK	Technical Handbook -310, 315, Sileno: English		
31	115 82 03-31	VERKSTADSHANDBOK	Technical Handbook -310, 315, Sileno: French		
31	115 82 03-36	VERKSTADSHANDBOK	Technical Handbook -310, 315, Sileno: Dutch		
31	115 82 03-41	VERKSTADSHANDBOK	Technical Handbook -310, 315, Sileno: Italian		
31	115 82 03-46	VERKSTADSHANDBOK	Technical Handbook -310, 315, Sileno: Spanish		
31	115 82 03-51	VERKSTADSHANDBOK	Technical Handbook -310, 315, Sileno: German		
31	115820356	TBD	Technical Handbook -310, 315, Sileno: Russian		
31	115820358	TBD	Technical Handbook -310, 315, Sileno: Hungarian		
31	115820359	TBD	Technical Handbook -310, 315, Sileno: Portuguese		
31	115820361	TBD	Technical Handbook -310, 315, Sileno: Polish		
31	115820362	TBD	Technical Handbook -310, 315, Sileno: Romanian		
31	115820363	TBD	Technical Handbook -310, 315, Sileno: Estonian		

TILLBEHÖR

AUTOMOWER 315X, 2018-

Ref	Artikelnr	Beskrivning	Anmärkning	ANT SATS AL
31	115820364	TBD	Technical Handbook -310, 315, Sileno: Latvian	
31	115820365	TBD	Technical Handbook -310, 315, Sileno: Lithuanian	
31	115820368	TBD	Technical Handbook -310, 315, Sileno: Slovakian	
31	115820371	TBD	Technical Handbook -310, 315, Sileno: Greek	
31	115820376	TBD	Technical Handbook -310, 315, Sileno: Turkish	
31	115820379	TBD	Technical Handbook -310, 315, Sileno: Japanese	
31	115820381	TBD	Technical Handbook -310, 315, Sileno: Croatian	
31	115 82 03-84	VERKSTADSHANDBOK	Technical Handbook -310, 315, Sileno: Slovenian	
31	115820390	TBD	Technical Handbook -310, 315, Sileno: Czech	
31	115820396	TBD	Technical Handbook -310, 315, Sileno: Spanish (USA)	
32	591 37 41-01	DEKAL	Original Parts sticker SV NO DK FI	
32	591 37 41-02	DEKAL	Original Parts sticker DE FR NL IT	
32	591 37 41-03	DEKAL	Original Parts sticker EN ES FR IT	