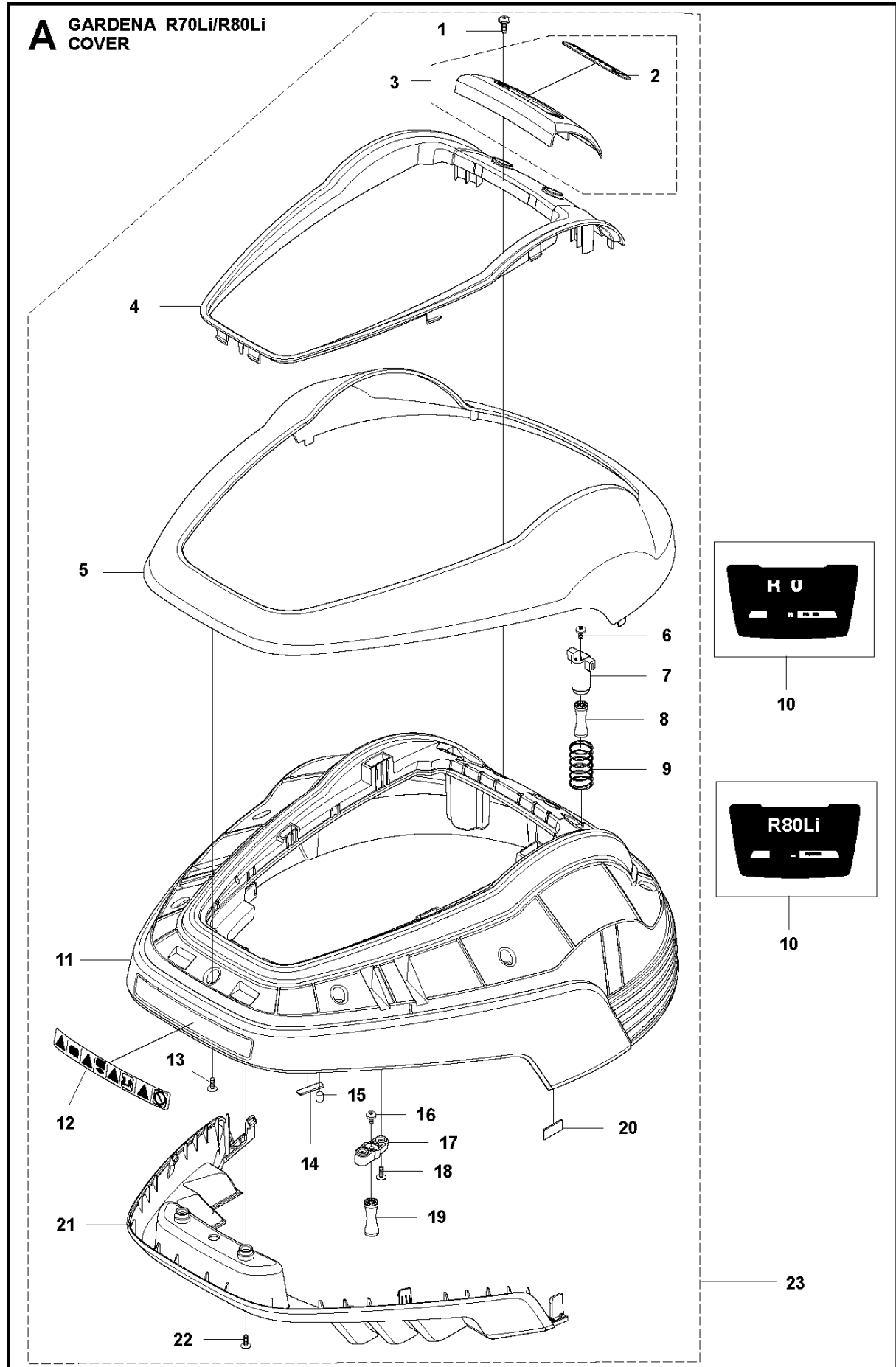




SPARE PARTS LIST

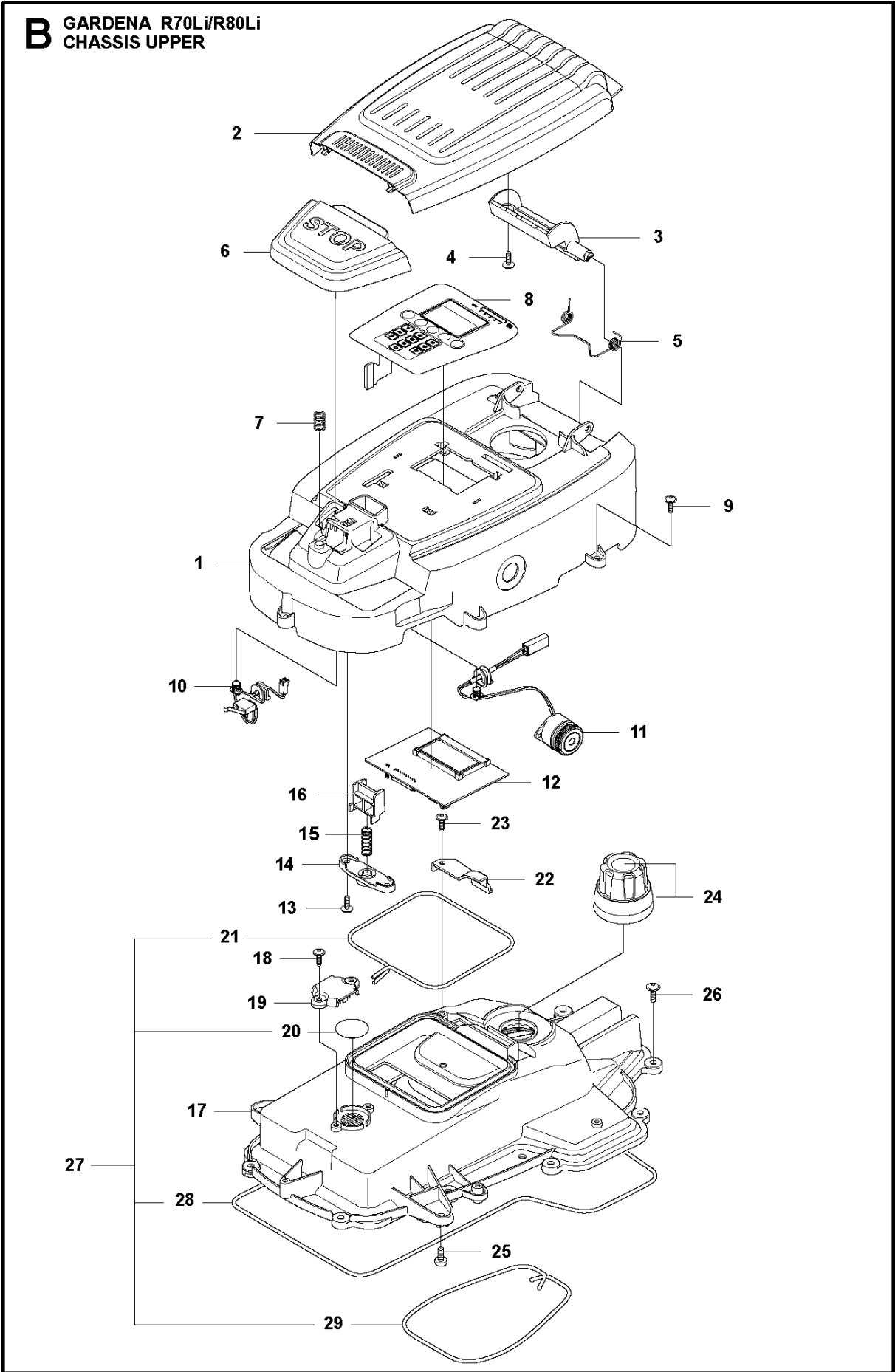
ROBOTIC LAWN MOWERS

R70Li, 2016-02

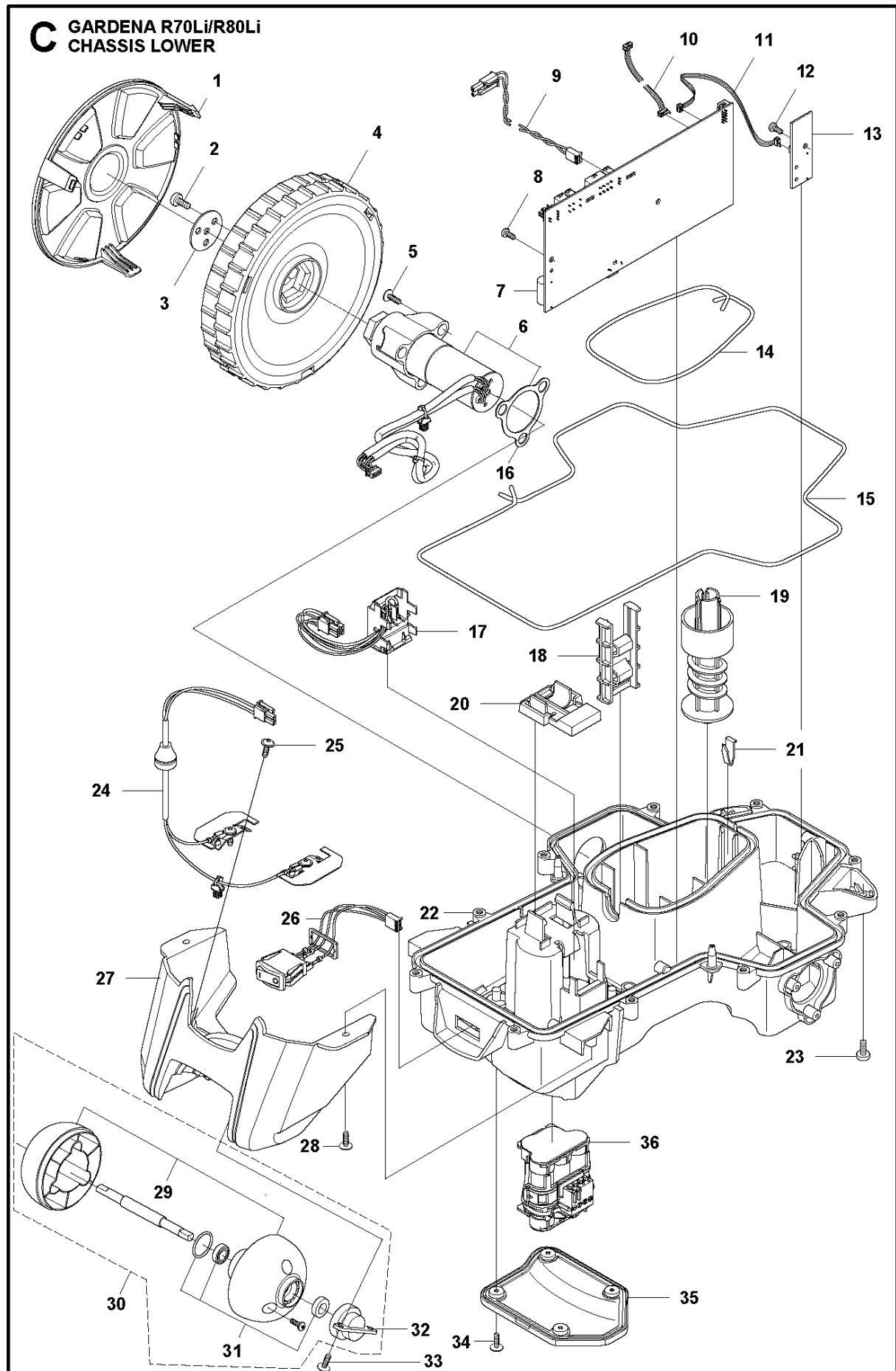


Ref	Artikelnr	Beskrivning	Anmärkning	ANT SATS AL
1	575 54 33-14	SCREW	Grey (14 mm)	2
2	510 31 03-01	LOGOTYP		1
3	579 39 21-05	PLATE KIT	incl. Sticker & Decal	1
4	577 70 76-03	RAM		1
5	577 70 73-03	KÅPA		1
6	576 21 39-01	SKRUV ITXPANM	M5x12	2
7	574 46 90-02	FÄSTE	Lift Sensor	2
8	574 46 91-02	DAMPER		2
9	574 48 51-02	FJÄDER	Lift Sensor	2
10	580 92 76-01	DEKAL	R70Li	1
11	579 39 17-02	KIT		1
12	586 35 97-01	DEKAL	Warning	1
13	575 54 33-14	SCREW	Grey (14 mm)	7
14	576 03 01-01	PLATTA	Collision Sensor	1
15	576 18 33-01	MAGNET	Collision Sensor	1
16	576 21 39-01	SKRUV ITXPANM	M5x12	2
17	575 41 60-02	SUPPORT CLAMP		2
18	575 54 33-14	SCREW	Grey (14 mm)	4
19	574 46 91-02	DAMPER		2
20	576 18 32-01	MAGNET	Lift Sensor	1
21	577 70 65-01	STÖTFÅNGARE	Rear	1
22	575 54 33-14	SCREW	Grey (14 mm)	2
23	577 95 53-09	BODY SYSTEM	Complete excl. Model Decal	1

B GARDENA R70Li/R80Li
CHASSIS UPPER

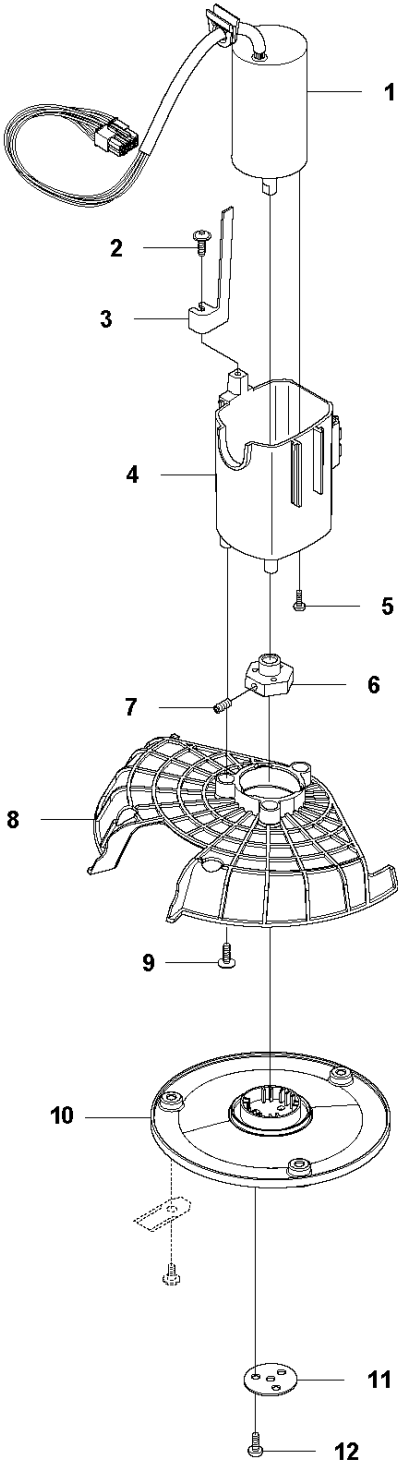


Ref	Artikelnr	Beskrivning	Anmärkning	ANT SATS AL
1	579 39 19-02	TÄCKLOCKSSATS	incl. Sealing & Keyboard	1
2	577 70 72-03	KÅPA	Height Adjustment	1
3	577 70 78-01	GÅNGJÄRN	Height Adjustment Lid	1
4	575 54 33-14	SCREW	Grey (14 mm)	2
5	578 44 52-01	FJÄDER	Height Adjustment Lid	1
6	577 70 66-01	KNAPP		1
7	574 48 70-01	FJÄDER	Stop Button	1
8	586 94 56-02	TANGENTBORD		1
9	575 54 33-14	SCREW	Grey (14 mm)	5
10	574 48 03-01	BRYTARE	Stop Button	1
11	574 47 59-01	BUZZER	Display Cover	1
12	588 44 19-01	KRETSKORT	Circuit Board	1
13	575 54 33-14	SCREW	Screw, Grey (14 mm)	2
14	575 41 58-01	FJÄDERHÅLLARE	Stop Button	1
15	576 24 22-01	FJÄDER	Stop Button	1
16	575 40 90-01	LÄS	Stop Button	1
17	579 39 20-02	KIT	incl. Sealing & Air Filter	1
18	575 54 33-14	SCREW	Grey (14 mm)	2
19	576 69 70-01	KÅPA	Air Filter	1
20	577 75 37-01	KIT	(10 pcs)	1
21	574 87 47-04	TÄTNINGSLIST	(1 pcs, diam. 4 mm)	1
22	576 05 39-01	KÅPA	Height Indicator	1
23	575 54 33-14	SCREW	Grey (14 mm)	1
24	579 39 22-01	KIT	height adjustment KIT incl. Knob & Sticker	1
25	576 21 39-01	SKRUV ITXPANM		2
26	574 45 01-01	SKRUV ITXPANT		10
27	588 40 70-01	SEAL KIT	incl. Sealing Strip Chassis (1 pcs), Sealing Strip Short (2 pcs), Air Filter (1 pcs)	1
28	574 87 47-03	TÄTNINGSLIST	Chassis (1 pcs, diam. 4 mm)	1
29	574 87 47-04	TÄTNINGSLIST	(1 pcs, diam. 4 mm)	1

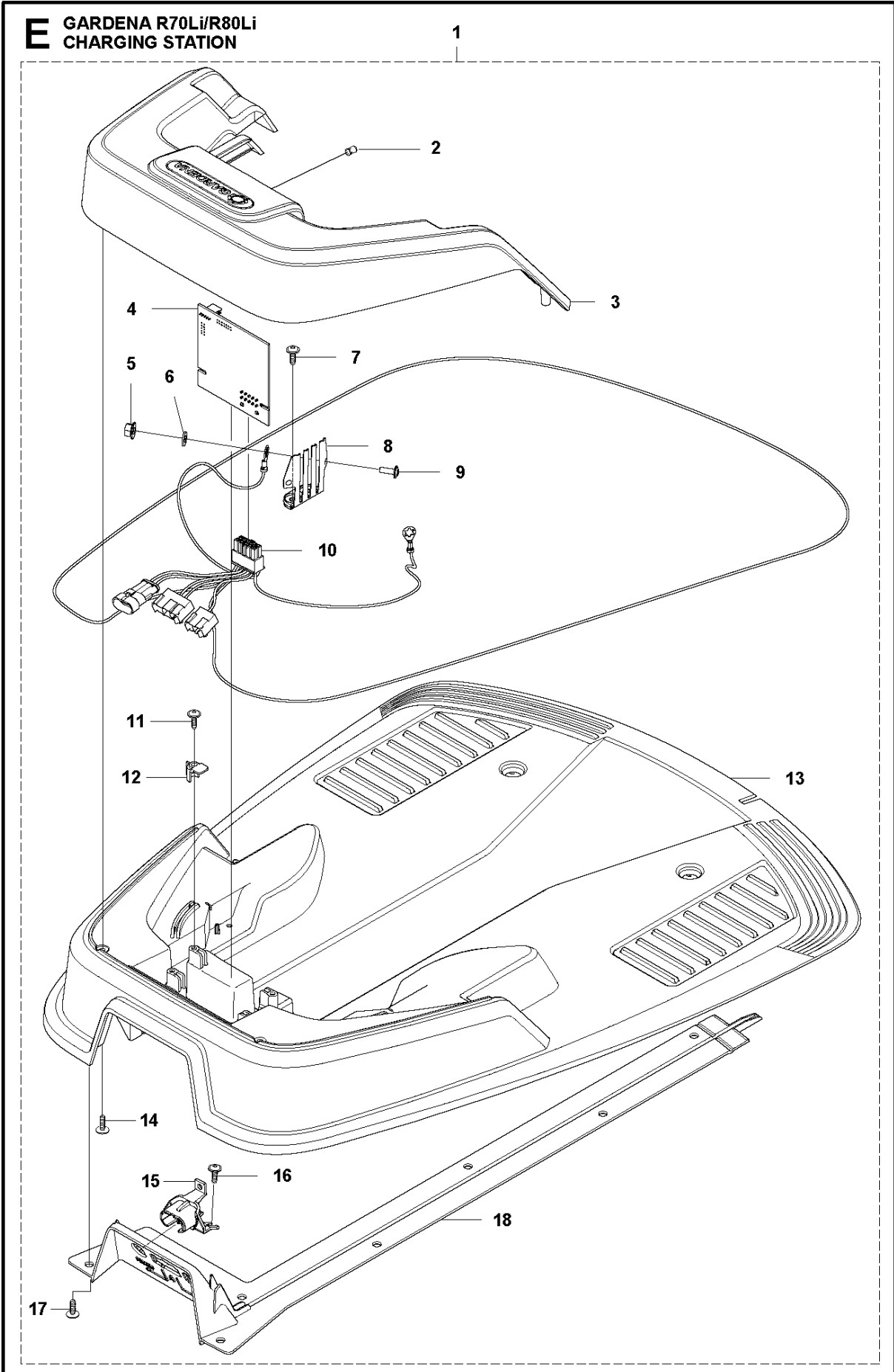


Ref	Artikelnr	Beskrivning	Anmärkning	ANT SATS AL
1	577 70 79-01	NAVKAPSEL	Drive Wheel	2
2	576 21 39-02	SKRUV ITXPANM		6
3	577 09 32-01	BRICKA	Drive Wheel	2
4	574 46 51-04	HJUL	Drive Wheel	2
5	575 54 33-14	SCREW	Grey (14 mm)	6
6	577 83 99-04	WHEEL MOTOR ASSY	incl. Sealing	2
7	588 62 88-03	KRETSKORT	(MCB)	1
8	535 13 03-10	SKRUV ITXPANT	(10 mm)	2
9	576 22 02-01	LOOM	Buzzer Extension	1
10	588 83 27-01	KABLAGE KPL	Display	1
11	588 90 12-01	KABLAGE KPL	Loop and Lift Sensor	1
12	535 13 03-10	SKRUV ITXPANT	(10 mm)	1
13	588 57 21-01	KRETSKORT		1
14	574 87 47-04	TÄTNINGSLIST	(1 pcs, 4 mm)	1
15	574 87 47-03	TÄTNINGSLIST	Chassis (1 pcs, 4 mm)	1
16	574 37 37-01	PACKNING	Motor Flange	2
17	574 47 98-01	LOOM	Li-Ion Battery	1
18	574 50 19-01	STYRSKENA	Motor Bowl	2
19	574 48 46-01	SCREW	Height Adjustment	1
20	575 40 82-01	LÅS	Battery Plug	1
21	577 10 32-01	LÅSFJÄDER		1
22	577 84 62-02	CHASSI	KIT incl. Sealing	1
23	576 21 39-01	SKRUV ITXPANM		2
24	588 95 09-01	KABLAGE KPL	Charging Plate	1
25	575 52 95-02	SKRUV ITXPANTT	Grey (14 mm)	2
26	579 70 87-01	KABLAGE KPL	Swith ON/OFF with Seal	1
27	574 46 72-02	HUS	Rear Wheel	1
28	575 54 33-14	SCREW	Grey (14 mm)	3
29	583 85 39-02	BAKHJUL		1
30	578 27 51-03	BAKHJUL	KIT Complete	1
31	578 27 52-01	BAKHJUL	Bearing (X2), Sealing (X2), O-Ring (X1)	1
32	577 71 50-01	LAGERHUS	Rear Wheel	2
33	575 54 33-14	SCREW	Grey (14 mm)	4
34	574 45 01-01	SKRUV ITXPANT		4
35	574 46 73-01	KÅPA	Battery	1
36	574 47 68-01	BATTERI	Lithium 18 v	1

D GARDENA R70Li/R80Li
BLADE MOTOR & CUTTING EQUIPMENT

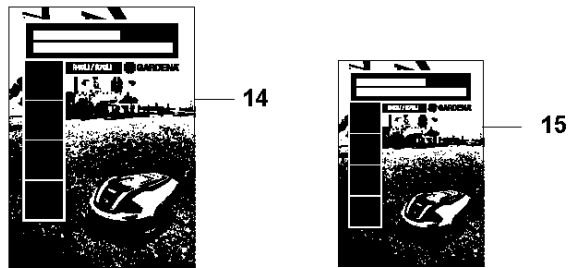
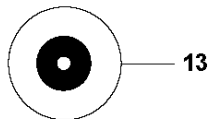
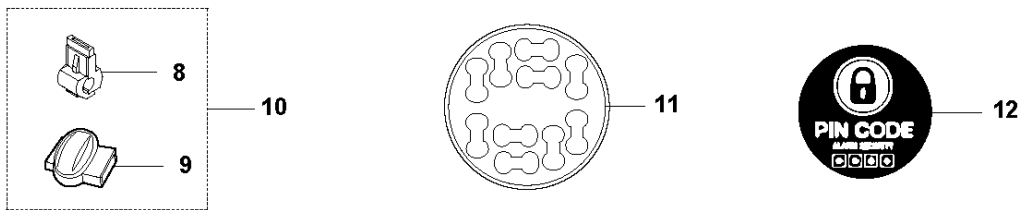
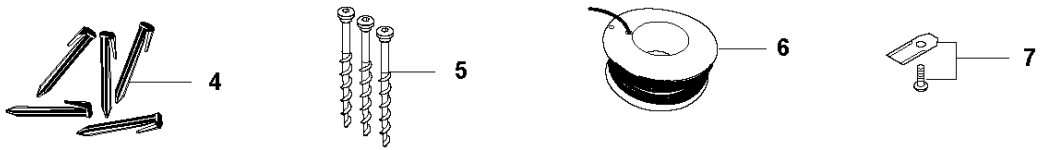
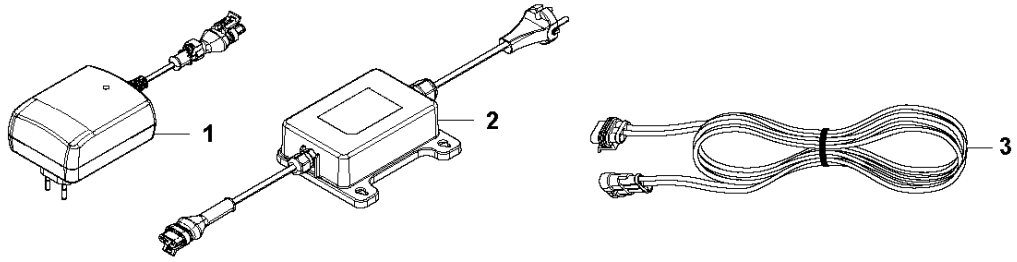


Ref	Artikelnr	Beskrivning	Anmärkning	ANT SATS AL
1	584 98 93-02	MOTOR		1
2	575 54 33-14	SCREW	Grey (14 mm)	1
3	574 50 35-01	HEIGHT INDICATOR		1
4	581 02 03-01	MOTORHUS		1
5	576 21 38-01	SKRUV ITXPANM	M4x12	3
6	574 37 35-01	NAV	Cutting Motor	1
7	576 21 35-01	SKRUV IHSETM	Stop	1
8	577 85 02-05	SKYDD	Cutting Disc	1
9	575 54 33-14	SCREW	Grey (14 mm)	3
10	574 48 71-01	KNIVDISK		1
11	577 09 32-01	BRICKA		1
12	576 21 38-01	SKRUV ITXPANM		3



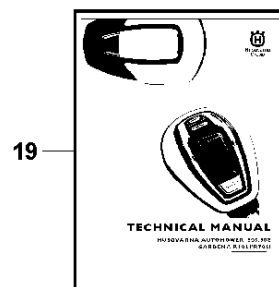
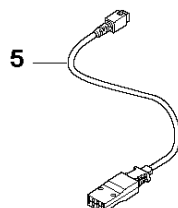
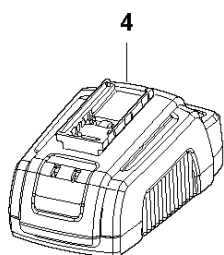
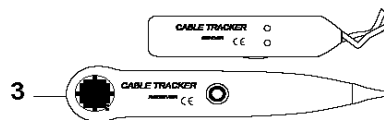
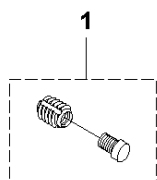
Ref	Artikelnr	Beskrivning	Anmärkning	ANT SATS AL
1	577 97 23-09	LADDSTATION		1
2	535 12 87-02	DIODLINS		1
3	584 61 83-01	LADDSTATION	Charging Station	1
4	588 88 25-01	KRETSKORT	Charging Station	1
5	588 22 21-01	HEXAGON NUT FLANGE		2
6	535 08 74-01	BRICKA		2
7	575 54 33-14	SCREW	Grey (14 mm)	2
8	587 12 51-01	KONTAKT	Charging Station	2
9	588 22 22-01	SKRUV ITXPANM		2
10	588 49 03-02	KABLAGE KPL	Charging Station	1
11	575 54 33-14	SCREW	Grey (14 mm)	2
12	535 12 79-01	FÄSTE		2
13	581 55 19-02	LADDSTATION	Charging Station	1
14	575 54 33-14	SCREW	Grey (14 mm)	4
15	587 87 85-01	FÄSTE		1
16	575 54 33-14	SCREW	Grey (14 mm)	2
17	575 54 33-14	SCREW	Grey (14 mm)	4
18	587 87 84-01	STYRNING	Charging Station	1

F GARDENA R70Li/R80Li
INSTALLATION ACCESSORIES

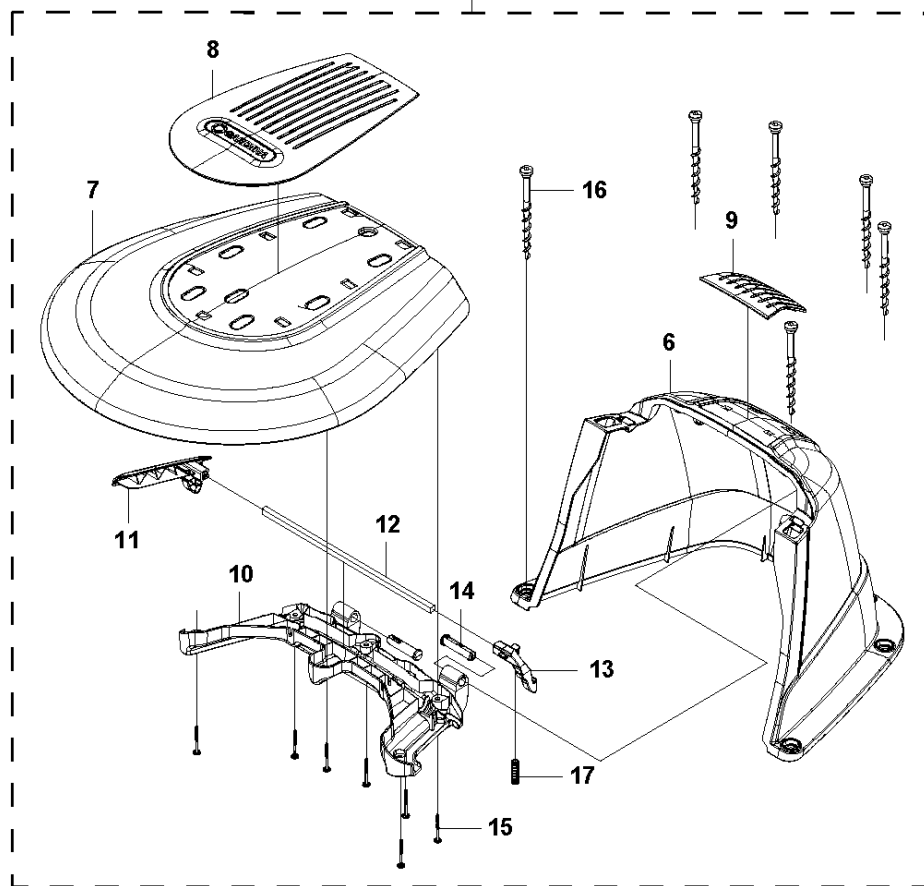


Ref	Artikelnr	Beskrivning	Anmärkning	ANT SATS AL
1	584 86 25-01	DRIVENHET	EU	1
2	584 86 26-02	DRIVENHET	UK	1
2	584 86 26-03	DRIVENHET	CH	1
2	584 86 26-04	DRIVENHET	CA	1
2	584 86 26-05	DRIVENHET	AU-NZ	1
3	579 82 51-01	KABLAGE KPL	(20 m)	1
	967 10 48-01	VAJER		1
3	579 82 51-02	KABLAGE KPL	(10 m)	1
3	579 82 51-03	KABLAGE KPL	(3 m)	1
4	966 80 98-01	KLAMMER	(100 pcs), Gardena Blister Pack	1
4	Gardena409020	TBD	(100 pcs), Gardena Blister Pack	1
5	575 23 86-02	SCREW KIT	(3 pcs) incl. Allen Key	1
6	966 80 96-01	VAJER	(150 m), Gardena Blister Pack	1
6	Gardena408820	TBD	(150 m), Gardena Blister Pack	1
7	966 80 95-01	KNIV	(9 pcs), Gardena Blister Pack	1
7	Gardena408720	TBD	(9 pcs), Gardena Blister Pack	1
7	577 60 65-04	BLADE SET	45 pcs	1
7	577 60 66-03	BLADE SET	300 pcs	1
8	535 12 90-01	KOPPLING	(1pcs)	1
9	501 98 02-01	KOPPLING	(1pcs)	1
9	501 98 02-02	KOPPLING	(50pcs)	1
10	966 80 97-01	KOPPLING	2 Connectors+6 Couplers, Gardena Blister Pack	1
10	Gardena408920	TBD	2 Connectors+6 Couplers, Gardena Blister Pack	1
10	579 04 81-01	TILLBEHÖRSPÅSE	5 Connectors+5 Couplers	1
11	586 27 79-01	ETIKETT	Cable Markers (10 pcs)	1
12	502 40 53-01	DEKAL	Anti-Theft	1
13	578 90 91-05	DVD		1
14	115 78 71-01	BRUKSANVISNING	Swedish	1
14	115 78 71-06	BRUKSANVISNING	Danish	1
14	115 78 71-11	BRUKSANVISNING	Finnish	1
14	115 78 71-21	BRUKSANVISNING	Norwegian	1
14	115 78 71-26	BRUKSANVISNING	English	1
14	115 78 71-31	BRUKSANVISNING	French	1
14	115 78 71-36	BRUKSANVISNING	Dutch	1
14	115 78 71-41	BRUKSANVISNING	Italian	1
14	115 78 71-46	BRUKSANVISNING	Spanish	1
14	115 78 71-51	BRUKSANVISNING	German	1
14	115 78 71-58	BRUKSANVISNING	Hungarian	1
14	115 78 71-59	BRUKSANVISNING	Portuguese	1
14	115 78 71-61	BRUKSANVISNING	Polish	1
14	115 78 71-68	BRUKSANVISNING	Slovakian	1
14	115 78 71-84	BRUKSANVISNING	Slovenian	1
14	115 78 71-90	BRUKSANVISNING	Czech	1
15	115 78 72-01	QUICK GUIDE	Swedish	1
15	115 78 72-06	QUICK GUIDE	Danish	1
15	115 78 72-11	QUICK GUIDE	Finnish	1
15	115 78 72-21	QUICK GUIDE	Norwegian	1
15	115 78 72-26	QUICK GUIDE	English	1
15	115 78 72-31	QUICK GUIDE	French	1
15	115 78 72-36	QUICK GUIDE	Dutch	1
15	115 78 72-41	QUICK GUIDE	Italian	1
15	115 78 72-46	QUICK GUIDE	Spanish	1
15	115 78 72-51	QUICK GUIDE	German	1
15	115 78 72-58	QUICK GUIDE	Hungarian	1
15	115 78 72-59	QUICK GUIDE	Portuguese	1
15	115 78 72-61	QUICK GUIDE	Polish	1
15	115 78 72-68	QUICK GUIDE	Slovakian	1
15	115 78 72-84	QUICK GUIDE	Slovenian	1
15	115 78 72-90	QUICK GUIDE	Czech	1

G GARDENA R70/80Li
ACCESSORIES



18



Ref	Artikelnr	Beskrivning	Anmärkning	ANT SATS AL
1	581 16 57-01	GÄNGINSATS	(4 pcs)	1
2	580 68 95-02	DEKAL	1pcs	1
3	577 60 68-01	TESTUTRUSTNING	Interruption Detector	1
4	588 40 84-01	LADDARE	Quick Charger with Battery Test	1
5	588 20 26-01	KABLAGE KPL	Cable Quick Charger	1
6	587 91 63-01	TÄCKLOCKSSATS	KIT Base	1
7	587 91 64-01	TÄCKLOCKSSATS	KIT Lid	1
8	586 69 44-01	KÅPA	Front Insert	1
9	586 69 46-01	KÅPA	Rear Insert	1
10	586 69 42-01	BALK	Hinge	1
11	586 69 47-01	HANDTAG	Left	1
12	585 32 41-02	STÅNG		1
13	586 69 48-01	SPÄRRHAKE	Right	1
14	585 34 15-01	GÅNGJÄRNSPINNE	Hinge	2
15	575 54 33-14	SCREW		8
16	575 23 86-01	SCREW KIT		1
17	580 51 14-01	FJÄDER		1
18	586 80 17-01	HUS		1
19	115 44 50-01	VERKSTADSHANDBOK	TECHNICAL MANUAL, Swedish	1
19	115 44 50-06	VERKSTADSHANDBOK	TECHNICAL MANUAL, Danish	1
19	115 44 50-11	VERKSTADSHANDBOK	TECHNICAL MANUAL, Finnish	1
19	115 44 50-21	VERKSTADSHANDBOK	TECHNICAL MANUAL, Norwegian	1
19	115 44 50-26	VERKSTADSHANDBOK	TECHNICAL MANUAL, English	1
19	115 44 50-31	VERKSTADSHANDBOK	TECHNICAL MANUAL, French	1
19	115 44 50-36	VERKSTADSHANDBOK	TECHNICAL MANUAL, Dutch	1
19	115 44 50-41	VERKSTADSHANDBOK	TECHNICAL MANUAL, Italian	1
19	115 44 50-46	VERKSTADSHANDBOK	TECHNICAL MANUAL, Spanish	1
19	115 44 50-51	VERKSTADSHANDBOK	TECHNICAL MANUAL, German	1
19	115 44 50-56	VERKSTADSHANDBOK	TECHNICAL MANUAL, Russian	1
19	115 44 50-58	VERKSTADSHANDBOK	TECHNICAL MANUAL, Hungarian	1
19	115 44 50-61	VERKSTADSHANDBOK	TECHNICAL MANUAL, Polish	1
19	115 44 50-62	VERKSTADSHANDBOK	TECHNICAL MANUAL, Romanian	1
19	115 44 50-63	VERKSTADSHANDBOK	TECHNICAL MANUAL, Estonian	1
19	115 44 50-64	VERKSTADSHANDBOK	TECHNICAL MANUAL, Latvian	1
19	115 44 50-65	VERKSTADSHANDBOK	TECHNICAL MANUAL, Lithuanian	1
19	115 44 50-71	VERKSTADSHANDBOK	TECHNICAL MANUAL, Greek	1
19	115 44 50-76	VERKSTADSHANDBOK	TECHNICAL MANUAL, Turkish	1
19	115 44 50-81	VERKSTADSHANDBOK	TECHNICAL MANUAL, Croatian	1
19	115 44 50-90	VERKSTADSHANDBOK	TECHNICAL MANUAL, Czech	1