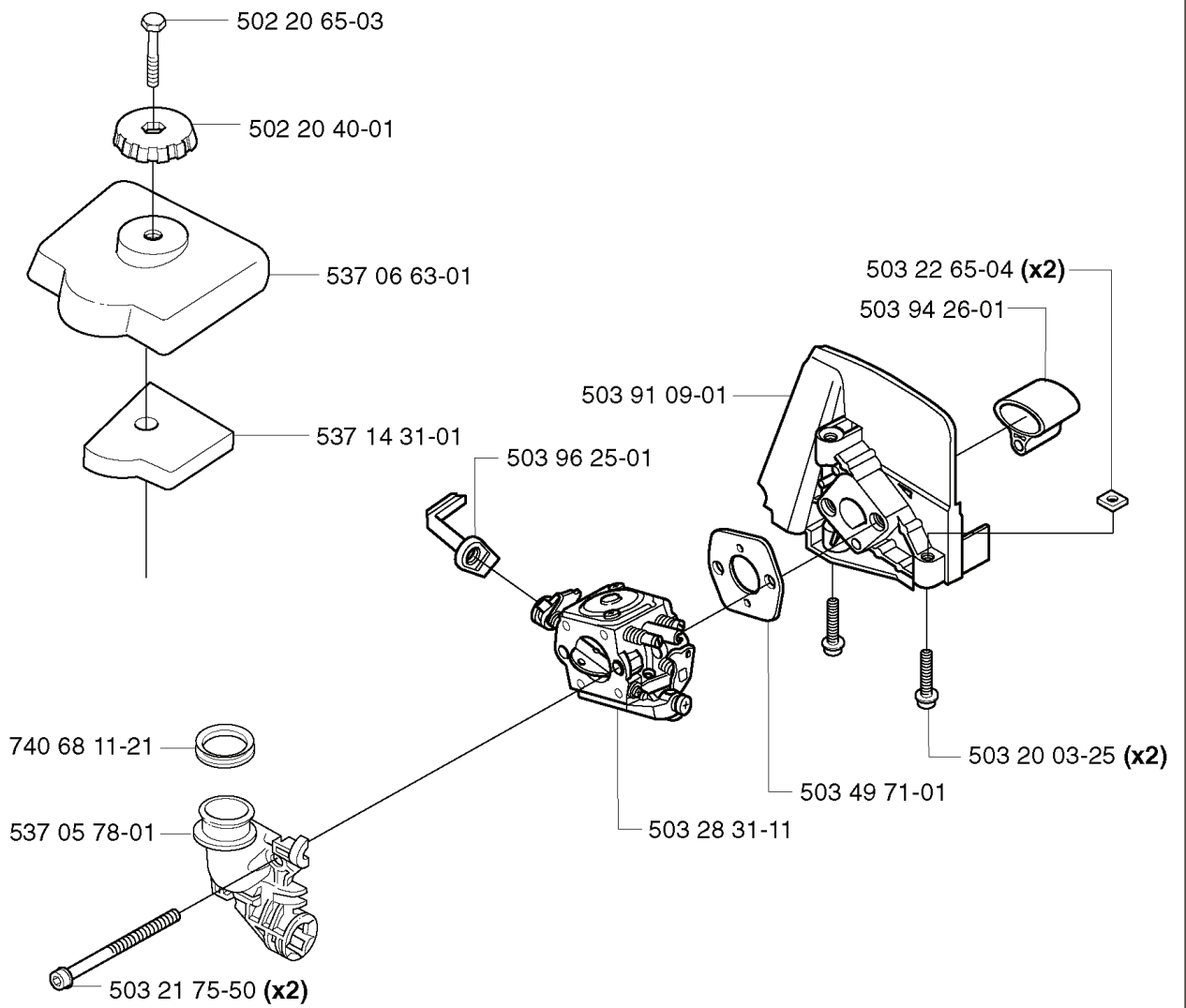


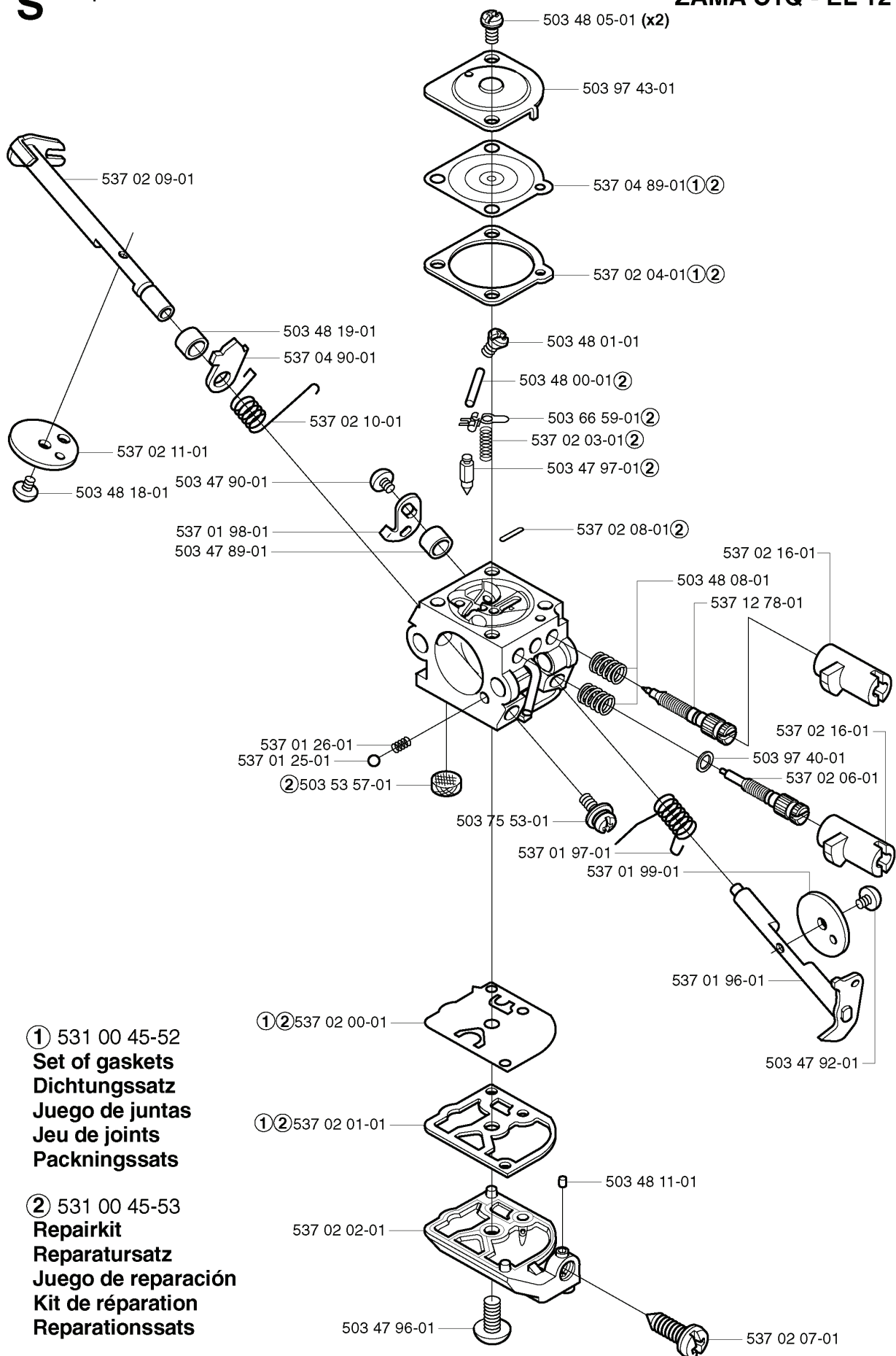
326 C, 20020500001-20023100000

SPARE PARTS LIST

H



REF.	PART NO.	DESCRIPTION	REMARK	QTY.	KIT
502 20 65-03	502206503	SCREW EHMM		1	
502 20 40-01	502204001	KNOB		1	
537 06 63-01	537066301	FILTER COVER		1	
537 14 31-01	537143101	AIR FILTER ASSY		1	
740 68 11-21	740681121	V-RING		1	
537 05 78-01	537057801	BRACKET		1	
503 21 75-50	503217550	SCREW IHSCFT		2	
503 28 31-11	503283111	CARBURETTOR		1	
503 49 71-01	503497101	GASKET		1	
503 20 03-25	503200325	SCREW IHSCFM		2	
503 96 25-01	503962501	CHOKE CONTROL		1	
503 91 09-01	503910901	INSULATION WALL		1	
503 94 26-01	503942601	INLET PIPE		1	
503 22 65-04	503226504	SQUARE NUT		2	

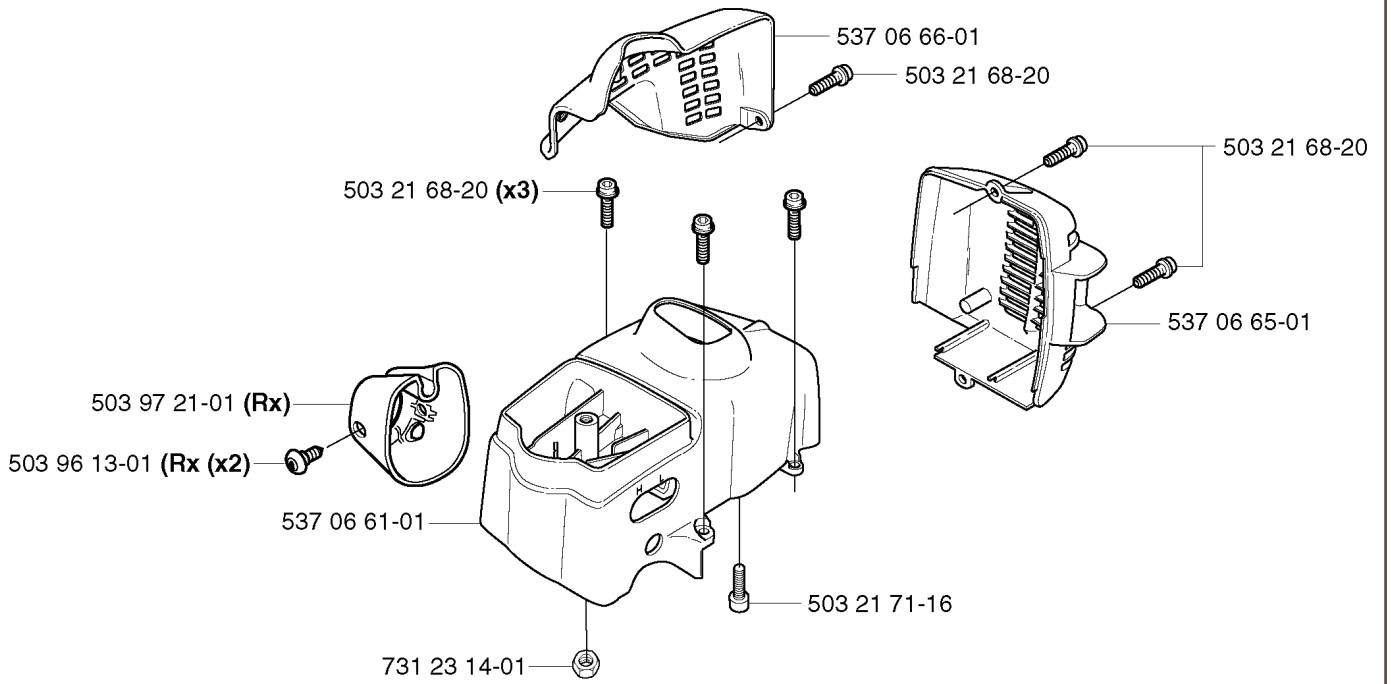


① 531 00 45-52
Set of gaskets
Dichtungssatz
Juego de juntas
Jeu de joints
Packningssatz

② 531 00 45-53
Repairkit
Reparatursatz
Juego de reparación
Kit de réparation
Reparationsssatz

REF.	PART NO.	DESCRIPTION	REMARK	QTY.	KIT
503 28 31-11	503283111	CARBURETTOR		1	
537 02 09-01	537020901	SHAFT ASSY		1	
503 48 19-01	503481901	COLLAR		1	
537 04 90-01	537049001	LEVER		1	
537 02 10-01	537021001	SPRING		1	
537 02 11-01	537021101	VALVE		1	
503 48 18-01	503481801	SCREW		1	
503 47 90-01	503479001	SCREW		1	
537 01 98-01	537019801	LEVER		1	
503 47 89-01	503478901	COLLAR		1	
537 01 26-01	537012601	SPRING		1	
537 01 25-01	537012501	BALL		1	
503 53 57-01	503535701	STRAINER	531 00 45-53 REPAIRKIT	1	
537 02 00-01	537020001	DIAPHRAGM PUMP	531 00 45-52 SET OF GASKETS 531 00 45-53 REPAIRKIT	1	
537 02 01-01	537020101	GASKET	531 00 45-52 SET OF GASKETS 531 00 45-53 REPAIRKIT	1	
537 02 02-01	537020201	COVER		1	
503 47 96-01	503479601	SCREW		1	
537 02 07-01	537020701	SCREW		1	
503 48 11-01	503481101	PIECE		1	
503 47 92-01	503479201	SCREW		1	
537 01 96-01	537019601	SHAFT ASSY		1	
537 01 99-01	537019901	VALVE		1	
537 01 97-01	537019701	SPRING		1	
503 75 53-01	503755301	SCREW		1	
537 02 06-01	537020601	SCREW		1	
503 97 40-01	503974001	WASHER		1	
537 02 16-01	537021601	LIMITER CAP		1	
537 12 78-01	537127801	SCREW		1	
503 48 08-01	503480801	SPRING		1	
537 02 08-01	537020801	PLUG	531 00 45-53 REPAIRKIT	1	
503 47 97-01	503479701	VALVE	531 00 45-53 REPAIRKIT	1	
537 02 03-01	537020301	SPRING	531 00 45-53 REPAIRKIT	1	
503 66 59-01	503665901	LEVER	531 00 45-53 REPAIRKIT	1	
503 48 00-01	503480001	PIN RETAINING SCREW	531 00 45-53 REPAIRKIT	1	
503 48 01-01	503480101	SCREW		1	
537 02 04-01	537020401	GASKET	531 00 45-52 SET OF GASKETS 531 00 45-53 REPAIRKIT	1	
537 04 89-01	537048901	DIAPHRAGM	531 00 45-52 SET OF GASKETS 531 00 45-53 REPAIRKIT	1	
503 97 43-01	503974301	COVER		1	
503 48 05-01	503480501	SCREW		2	

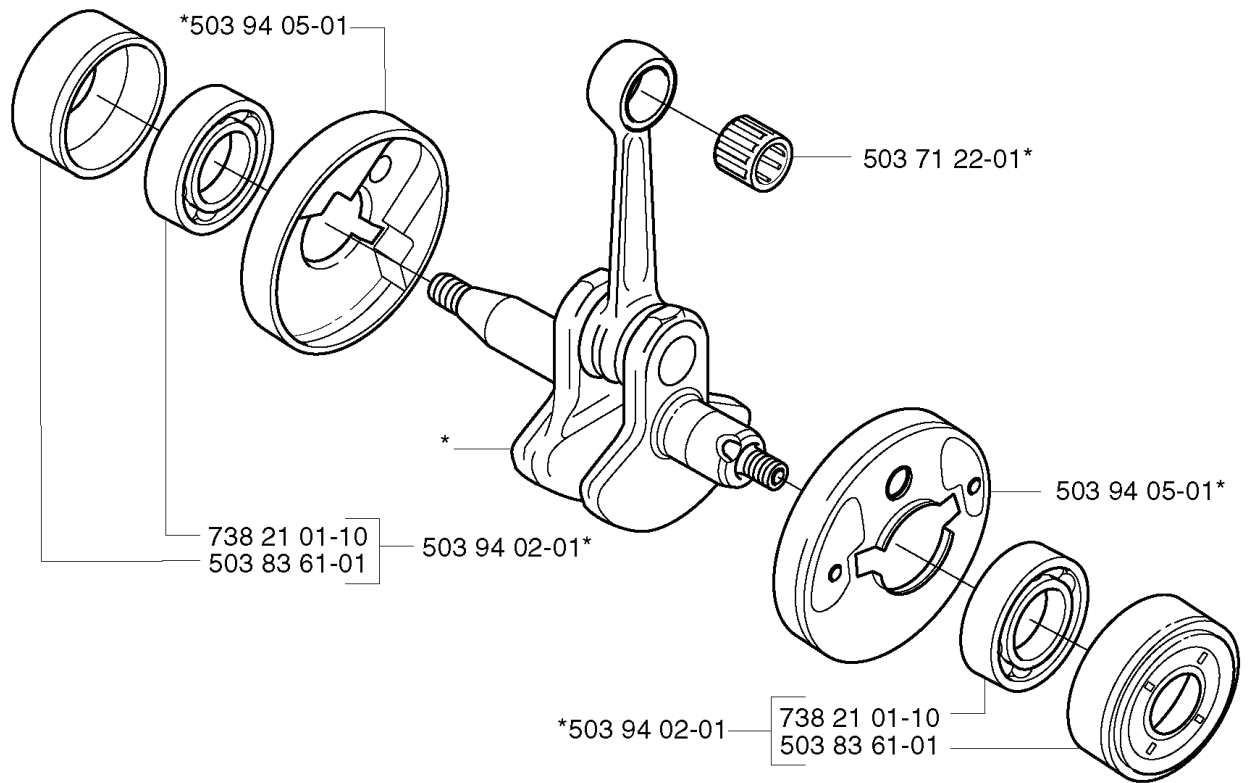
G



REF.	PART NO.	DESCRIPTION	REMARK	QTY.	KIT
5032168-20	503216820	SCREW IHSCFT		3	
5039721-01	503972101	COVER	RX	1	
5039613-01	503961301	SCREW	RX	2	
5370661-01	537066101	CYLINDER COVER		1	
7312314-01	731231401	HEXAGON NUT		1	
5032171-16	503217116	SCREW IHSCFT		1	
5370665-01	537066501	HEAT PROTECTOR		1	
5370666-01	537066601	ARM PROTECTION		1	

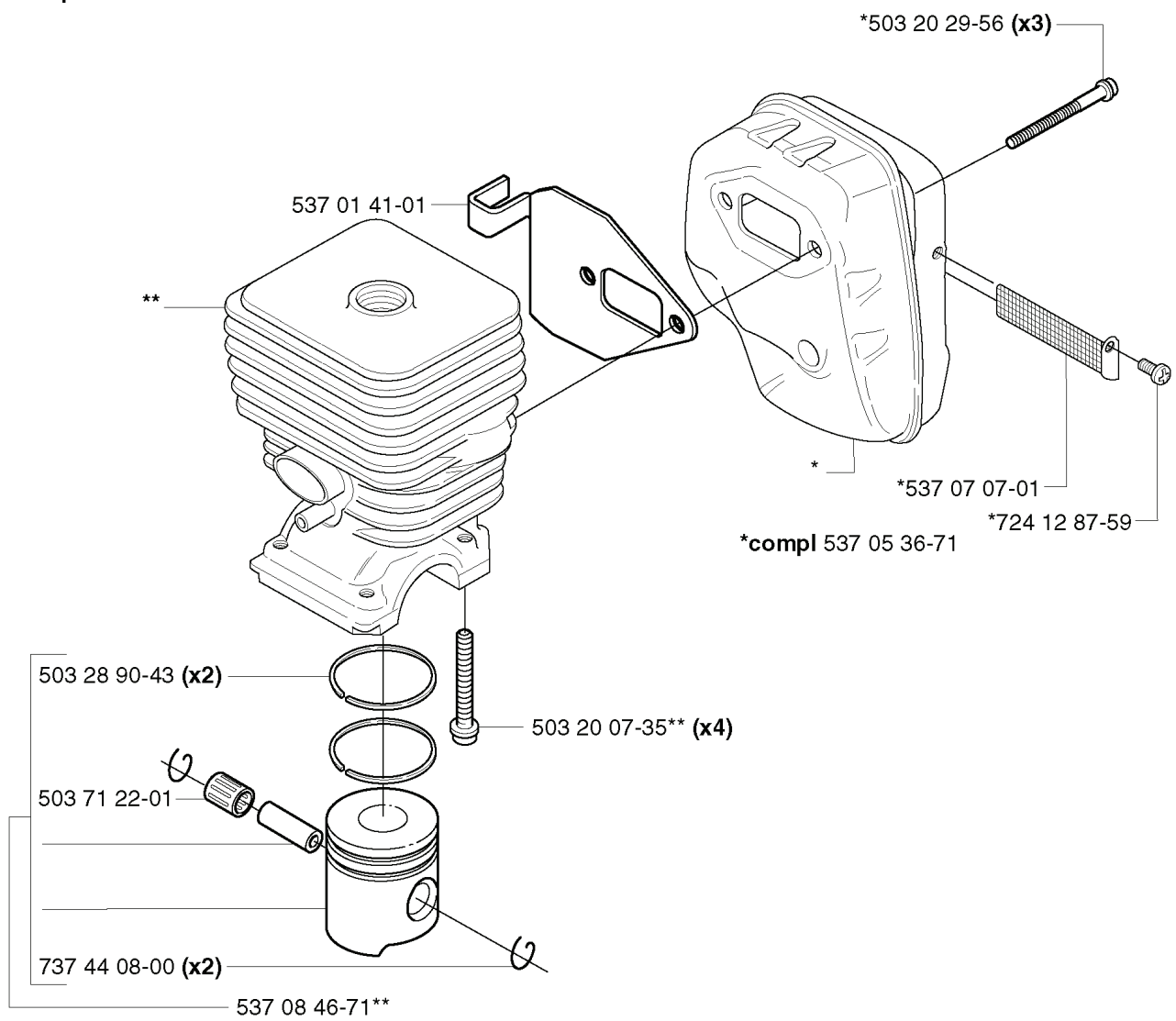
REF.	PART NO.	DESCRIPTION	REMARK	QTY.	KIT
537 08 52-01	537085201	CRANKCASE		1	
537 04 12-03	537041203	CLUTCH COVER		1	
537 03 23-01	537032301	CLAMPING SLEEVE ASSY		1	
503 21 68-25	503216825	SCREW IHSCFT		2	
537 03 24-01	537032401	INSULATOR		1	
503 21 66-20	503216620	SCREW IHSCFT		1	
503 87 26-01	503872601	CLUTCH DRUM ASSY		1	
503 21 71-16	503217116	SCREW IHSCFT		1	
537 08 85-01	537088501	GASKET		1	
537 07 36-01	537073601	SPRING		1	
503 21 68-20	503216820	SCREW IHSCFT		1	
537 06 68-01	537066801	INSERT CRANKCASE		1	
537 06 69-01	537066901	GASKET		1	

P *compl 503 85 24-74



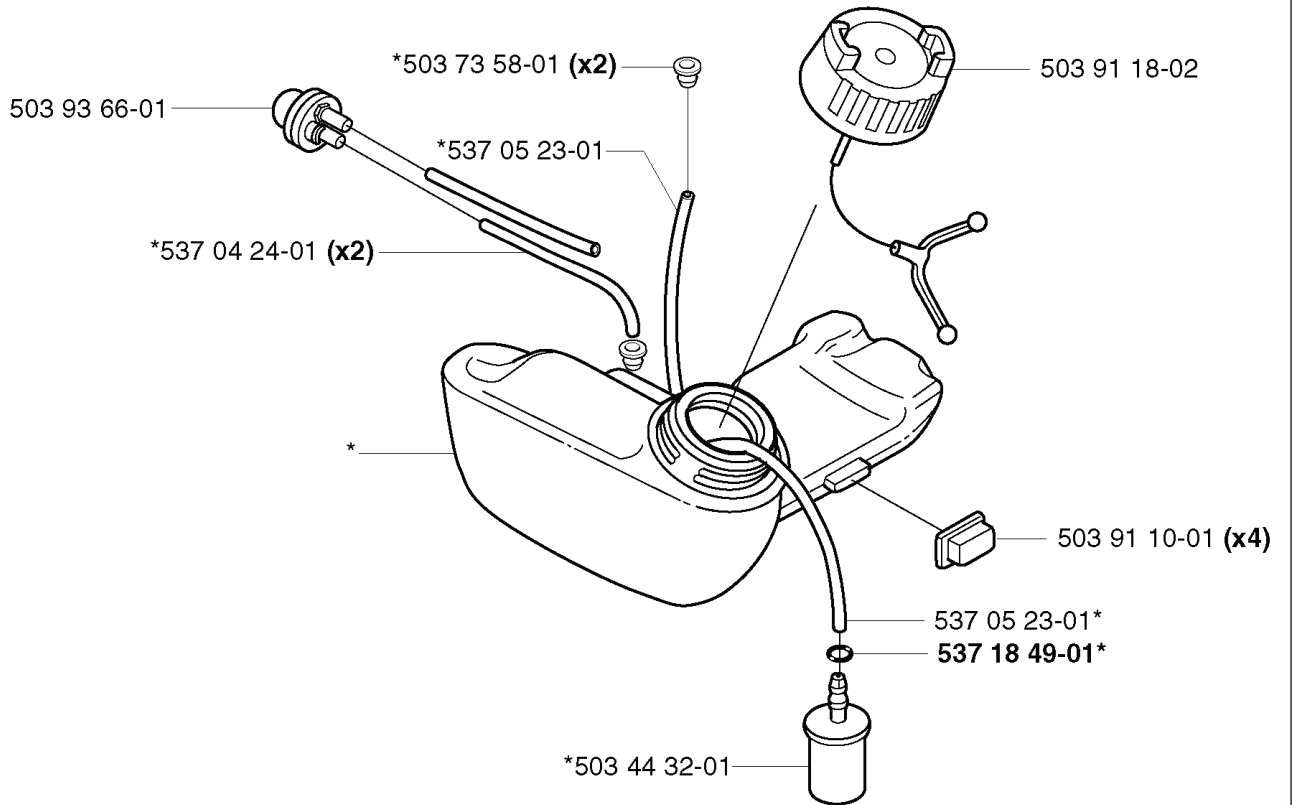
REF.	PART NO.	DESCRIPTION	REMARK	QTY.	KIT
503 85 24-74	503852474	CRANKSHAFT ASSY		1	
503 83 61-01	503836101	BEARING CAGE		1	
503 94 02-01	503940201	BEARING CAGE		1	
738 21 01-10	738210110	BALL BEARING		1	
503 94 05-01	503940501	CUP		1	
503 71 22-01	503712201	BEARING		1	

M **compl 537 08 51-01



REF.	PART NO.	DESCRIPTION	REMARK	QTY.	KIT
5370851-01	537085101	PISTON		1	
5370141-01	537014101	GASKET		1	
5032890-43	503289043	PISTON RING		2	
5037122-01	503712201	BEARING		1	
7374408-00	737440800	CIRCLIP		2	
5370846-71	537084671	PISTON		1	
5032007-35	503200735	SCREW IHSCFM		4	
5370536-71	537053671	MUFFLER CAT		1	
7241287-59	724128759	SCREW CRPANM		1	
5370707-01	537070701	SPARK ARRESTER SCREEN		1	
5032029-56	503202956	SCREW IHSCFM		3	

K *compl 537 06 86-01

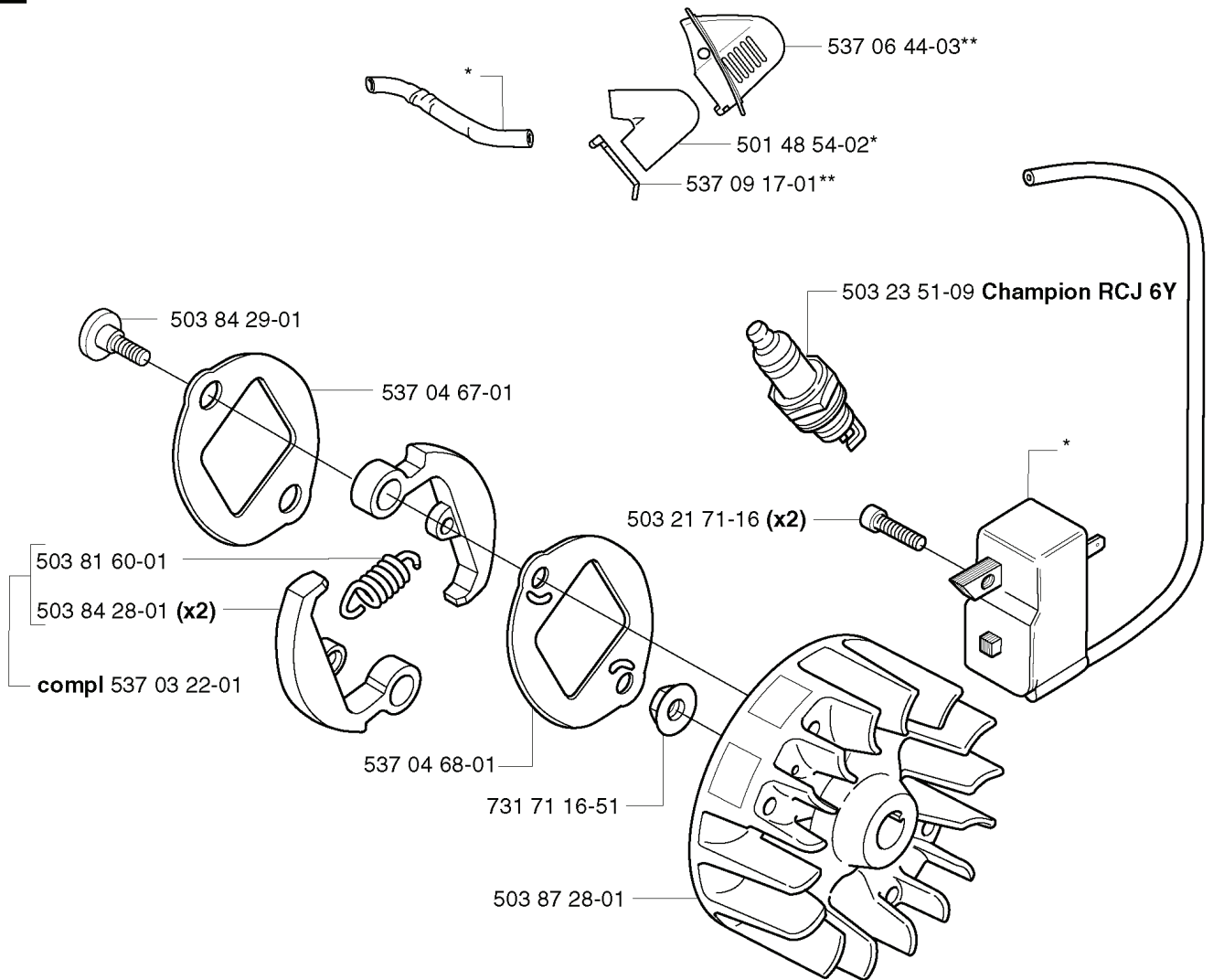


REF.	PART NO.	DESCRIPTION	REMARK	QTY.	KIT
537 06 86-01	537068601	FUEL TANK		1	
503 93 66-01	503936601	PURGE		1	
537 04 24-01	537042401	FUEL HOSE		2	
503 44 32-01	503443201	FUEL FILTER		1	
537 18 49-01	537184901	O-RING		1	
503 91 10-01	503911001	SUSPENSION		4	
537 05 23-01	537052301	FUEL HOSE		1	
503 73 58-01	503735801	BUSHING		2	
503 91 18-02	503911802	TANK CAP		1	



*compl 537 04 23-01

**compl 537 06 33-02 (Lx, Rx)

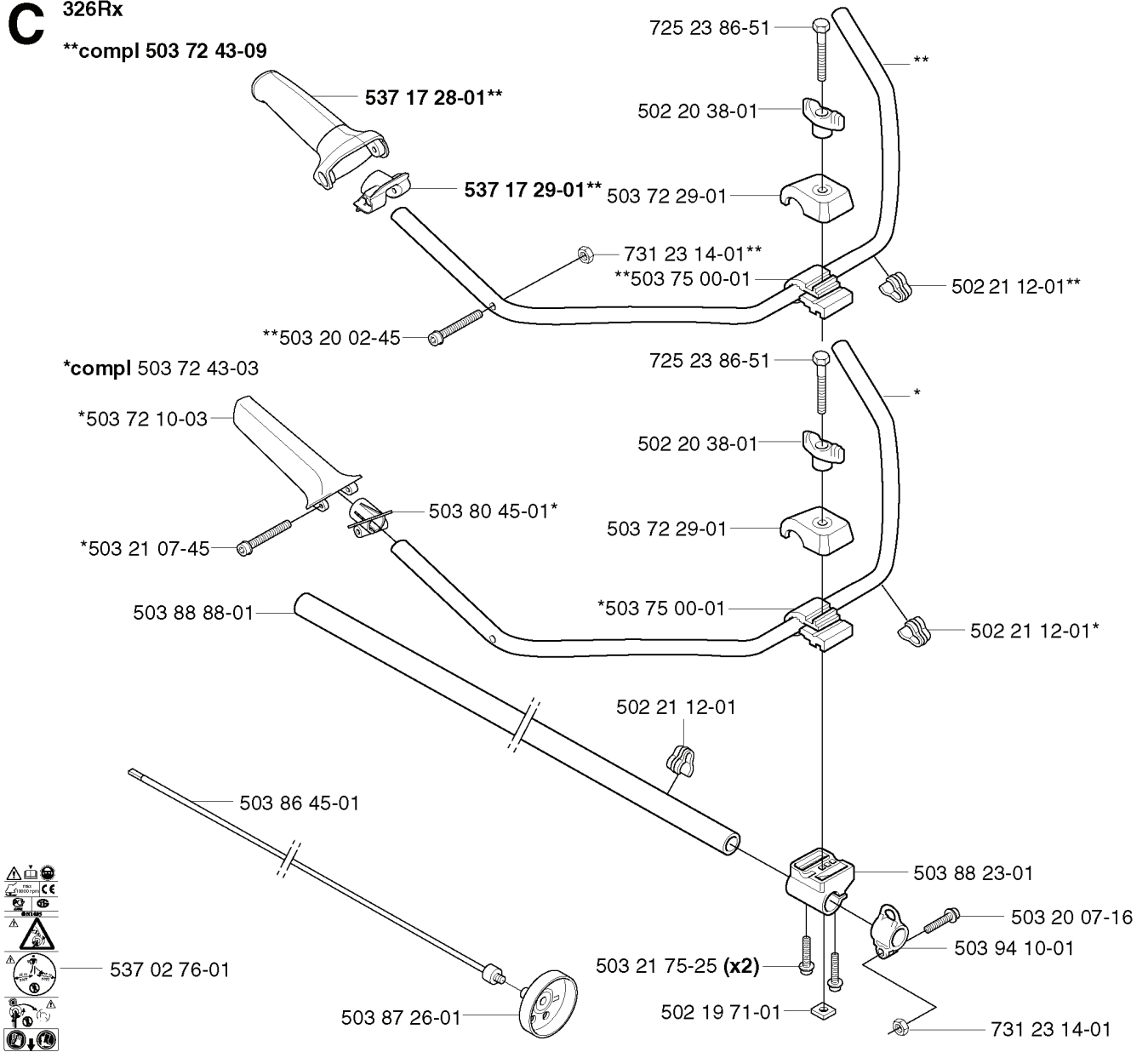


REF.	PART NO.	DESCRIPTION	REMARK	QTY.	KIT
537 04 23-01	537042301	IGNITION MODULE		1	
503 84 29-01	503842901	SCREW		1	
537 04 67-01	537046701	WASHER		1	
503 81 60-01	503816001	CLUTCH SPRING		1	
503 84 28-01	503842801	CLUTCH SHOE		2	
537 03 22-01	537032201	CLUTCH ASSY		1	
537 04 68-01	537046801	WASHER		1	
731 71 16-51	731711651	HEXAGON NUT FLANGE		1	
503 87 28-01	503872801	FLYWHEEL		1	
503 21 71-16	503217116	SCREW IHSCT		2	
503 23 51-09	503235109	SPARK PLUG	CHAMPION RCJ 6Y	1	
537 09 17-01	537091701	SECURING PLATE		1	
501 48 54-02	501485402	SPARK PLUG CAP		1	
537 06 44-03	537064403	COVER		1	
537 06 33-02	537063302	COVER	LX, RX	1	

C 326Rx

****compl 503 72 43-09**

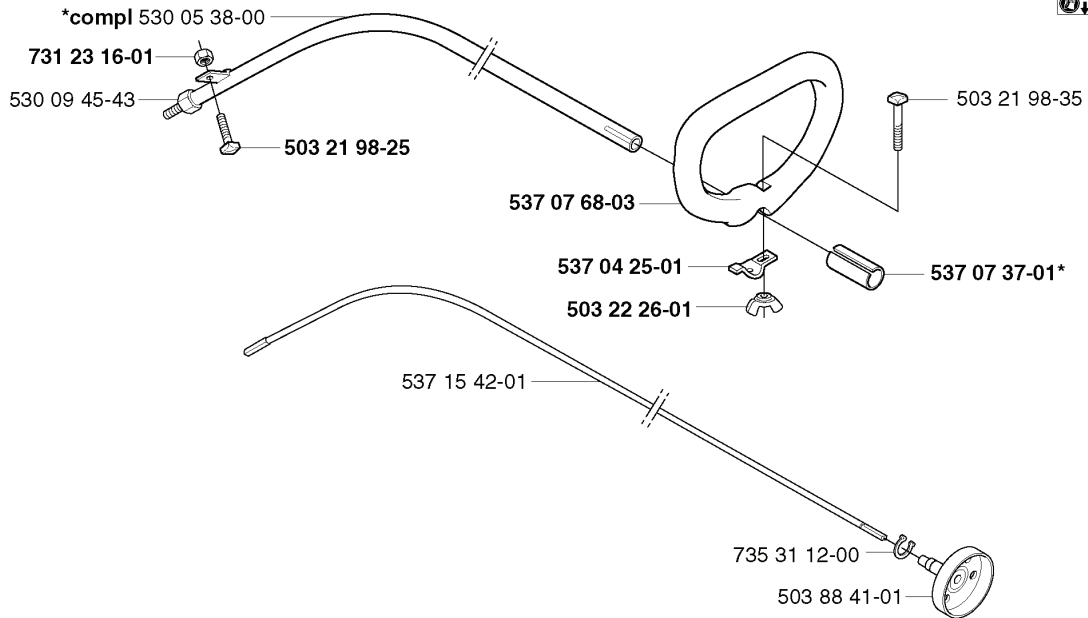
***compl 503 72 43-03**



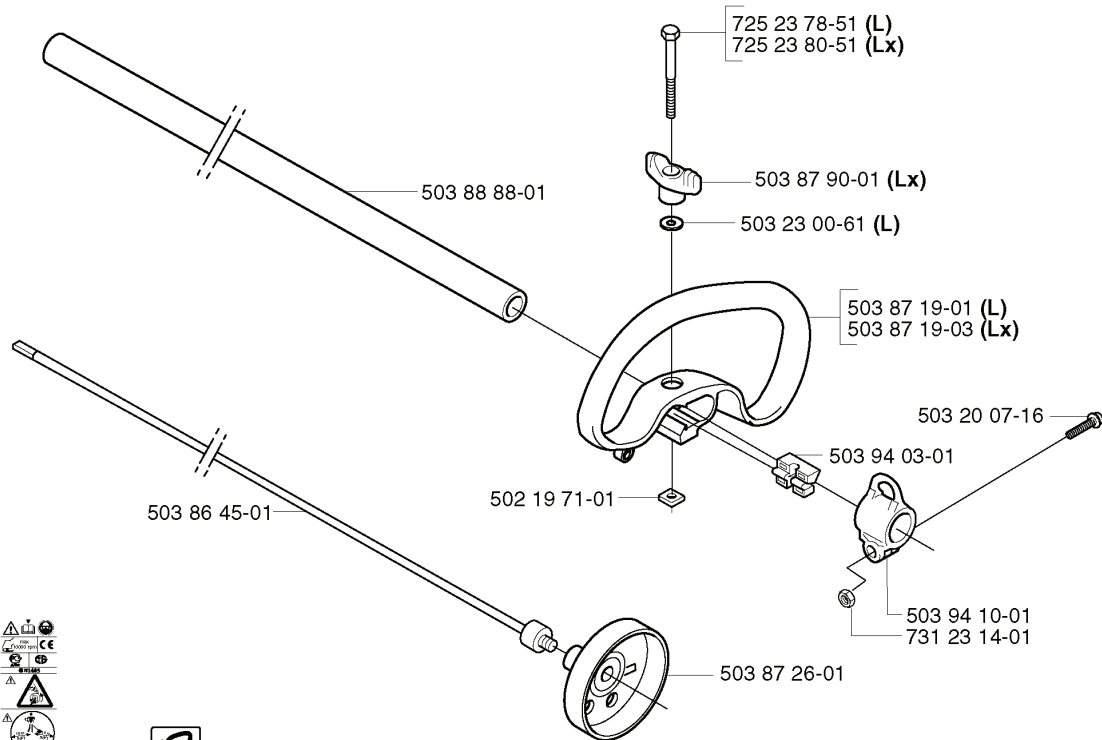
REF.	PART NO.	DESCRIPTION	REMARK	QTY.	KIT
503 72 43-09	503724309	HANDLEBAR		1	
537 17 28-01	537172801	HANDLE		1	
503 20 02-45	503200245	SCREW IHSCFM		1	
503 72 43-03	503724303	HANDLEBAR PART ASSY		1	
503 72 10-03	503721003	HANDLE		1	
503 21 07-45	503210745	SCREW IHSCFT		1	
503 88 88-01	503888801	TUBE		1	
503 86 45-01	503864501	DRIVE SHAFT		1	
537 02 76-01	537027601	LABEL		1	
503 87 26-01	503872601	CLUTCH DRUM ASSY		1	
502 19 71-01	502197101	SQUARE NUT		1	
503 21 75-25	503217525	SCREW IHSCFT		2	
503 80 45-01	503804501	BRACKET		1	
537 17 29-01	537172901	COVER		1	
502 20 38-01	502203801	KNOB		1	
503 75 00-01	503750001	HANDLEBAR BRACKET		1	
725 23 86-51	725238651	SCREW EHHM		1	
503 72 29-01	503722901	COVER		1	
731 23 14-01	731231401	HEXAGON NUT		1	
503 94 10-01	503941001	HOOK		1	
503 20 07-16	503200716	SCREW IHSCFM		1	
503 88 23-01	503882301	BRACKET		1	
502 21 12-01	502211201	STAPLE		1	

A 326C

503 79 56-01 537 02 76-03



B 326L 326Lx



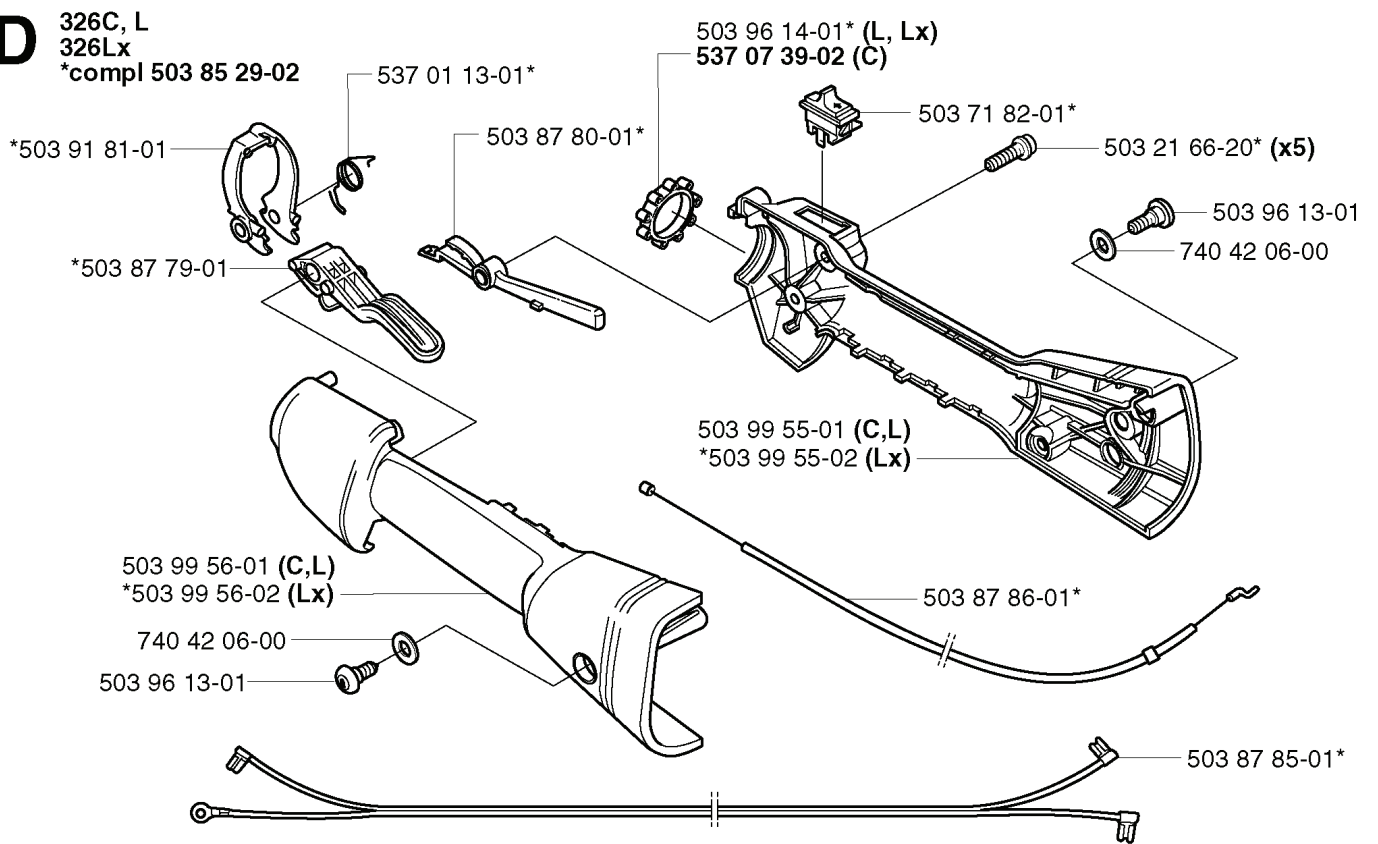
537 02 76-01 503 79 56-01

REF.	PART NO.	DESCRIPTION	REMARK	QTY.	KIT
503 86 45-01	503864501	DRIVE SHAFT		1	
503 21 98-25	503219825	SCREW		1	
537 02 76-01	537027601	LABEL		1	
503 21 98-35	503219835	SCREW		1	
503 79 56-01	503795601	LABEL		1	
503 22 26-01	503222601	NUT		1	
503 87 26-01	503872601	CLUTCH DRUM ASSY		1	
502 19 71-01	502197101	SQUARE NUT		1	
731 23 14-01	731231401	HEXAGON NUT		1	
503 94 10-01	503941001	HOOK		1	
503 94 03-01	503940301	DISTANCE		1	
503 20 07-16	503200716	SCREW IHSCFM		1	
503 87 19-03	503871903	HANDLE	LX	1	
503 87 19-01	503871901	HANDLE LOOP	L	1	
503 23 00-61	503230061	WASHER	L	1	
503 88 41-01	503884101	CLUTCH DRUM		1	
503 87 90-01	503879001	KNOB	LX	1	
503 88 88-01	503888801	TUBE		1	
725 23 80-51	725238051	SCREW EHHM	LX	1	
530 05 38-00	530053800	SHAFT		1	
725 23 78-51	725237851	SCREW EHHM	L	1	
537 02 76-03	537027603	LABEL		1	
537 04 25-01	537042501	ATTACHMENT PLATE		1	
537 07 37-01	537073701	SPACING TUBE		1	
537 07 68-03	537076803	HANDLE		1	
537 15 42-01	537154201	SHAFT		1	
731 23 16-01	731231601	HEXAGON NUT		1	
735 31 12-00	735311200	CIRCLIP		1	

D

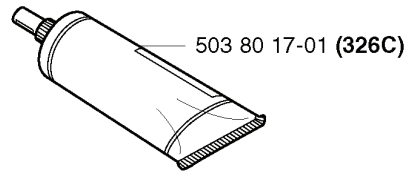
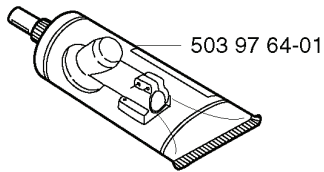
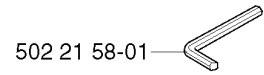
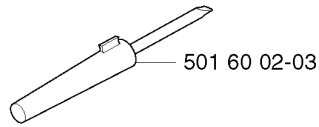
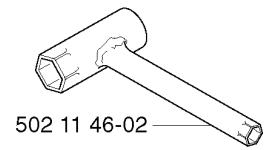
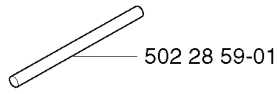
326C, L
326Lx

*compl 503 85 29-02

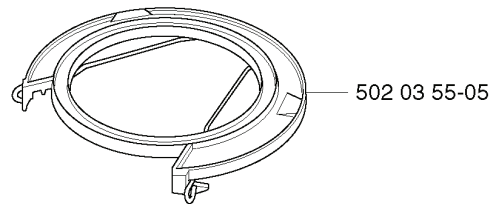
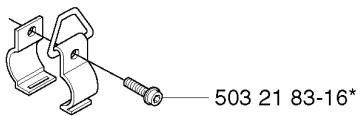


REF.	PART NO.	DESCRIPTION	REMARK	QTY.	KIT
503 85 29-02	503852902	HANDLE		1	
503 91 81-01	503918101	THROTTLE LEVER		1	
503 87 79-01	503877901	THROTTLE TRIGGER		1	
503 99 56-01	503995601	HANDLE HALF	C.L	1	
503 99 56-02	503995602	HANDLE HALF	LX	1	
503 87 86-01	503878601	THROTTLE CABLE ASSY		1	
503 99 55-02	503995502	HANDLE HALF	LX	1	
503 99 55-01	503995501	HANDLE HALF	C.L	1	
503 87 80-01	503878001	THROTTLE LOCKOUT		1	
537 01 13-01	537011301	RECOIL SPRING		1	
503 96 14-01	503961401	ABSORBER	L, LX	1	
537 07 39-02	537073902	ANTIVIBRATION ELEMENT	C	1	
503 71 82-01	503718201	SWITCH		1	
503 87 85-01	503878501	SHORT CIRCUIT CABLE		1	
740 42 06-00	740420600	O-RING		1	
503 96 13-01	503961301	SCREW		1	
503 21 66-20	503216620	SCREW IHST		5	

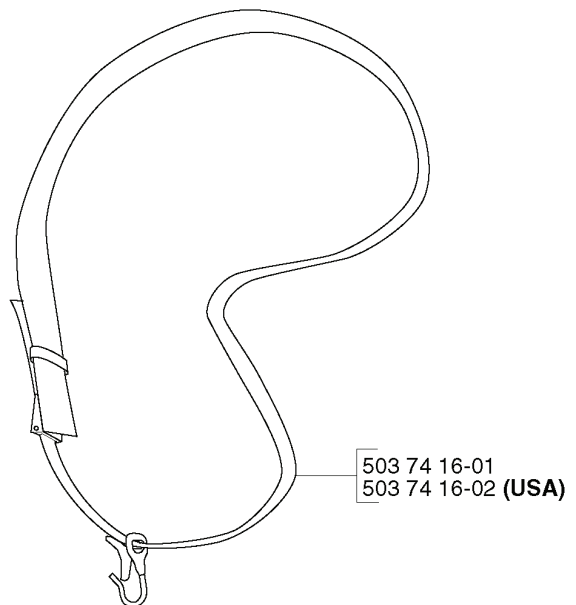
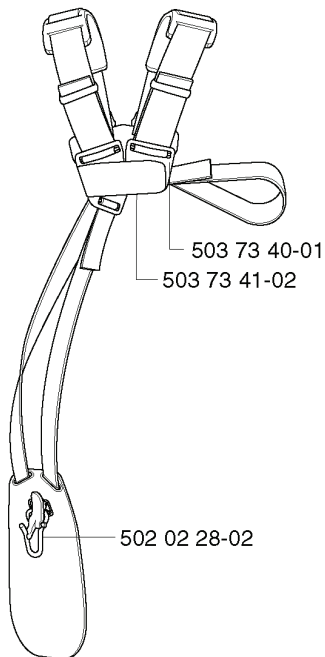
R Accessories
 Zubehöre
 Accessoires
 Acessorios
 Tillbehör



*compl 501 78 33-01



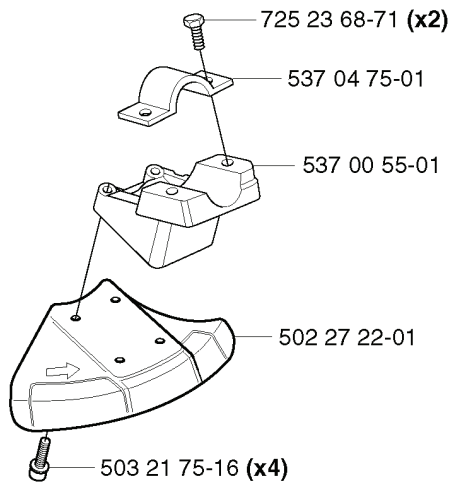
compl 503 73 63-03
 compl 503 73 63-04 (USA)



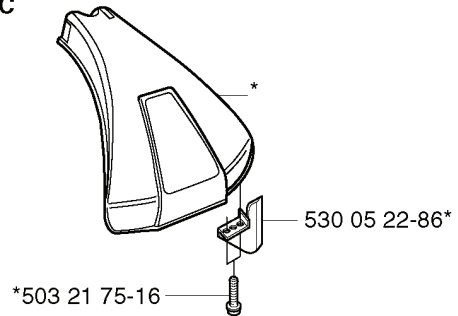
REF.	PART NO.	DESCRIPTION	REMARK	QTY.	KIT
502 28 59-01	502285901	STOP		1	
501 60 02-03	501600203	SCREWDRIVER		1	
503 97 64-01	503976401	GREASE		1	
501 78 33-01	501783301	SUSPENSION BAIL		1	
503 21 83-16	503218316	SCREW		1	
503 73 63-03	503736303	HARNESS		1	
503 73 63-04	503736304	HARNESS ASSY	USA	1	
503 73 40-01	503734001	FRONT PIECE		1	
503 73 41-02	503734102	BUCKLE		1	
502 02 28-02	502022802	WELT HOOK		1	
503 74 16-02	503741602	HARNESS ASSY	USA	1	
503 74 16-01	503741601	HARNESS ASSY		1	
502 03 55-05	502035505	TRANSPORT GUARD		1	
503 80 17-01	503801701	GREASE	326C	1	
502 21 58-01	502215801	WRENCH		1	
502 11 46-02	502114602	SOCKET WRENCH		1	

Q Accessories
Zubehöre
Accessoires
Acessorios
Tillbehör

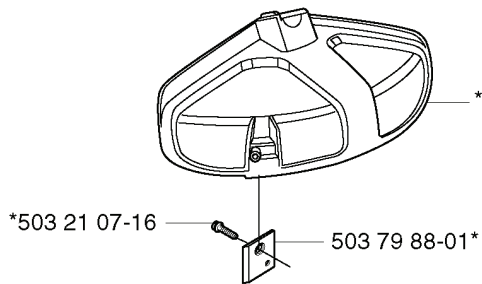
*compl 537 02 21-01
326Rx



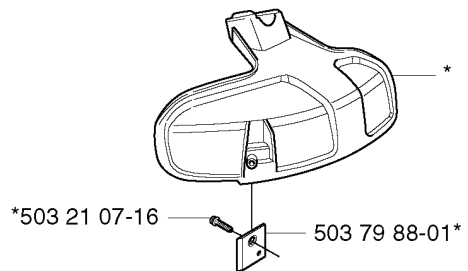
*compl 537 02 61-01
326C



*compl 503 93 42-02
326Rx



*compl 503 97 71-01
326L
326Lx

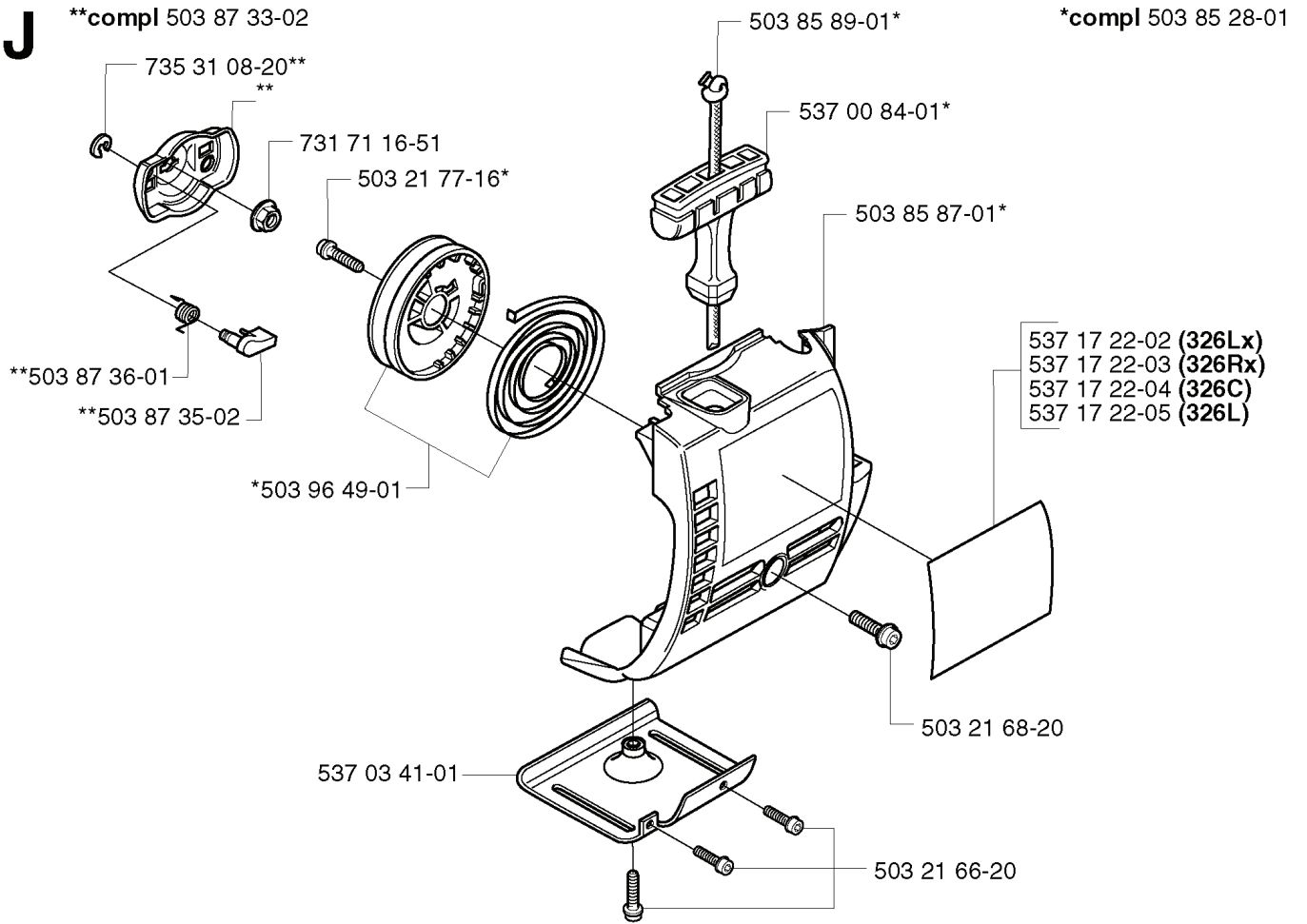


REF.	PART NO.	DESCRIPTION	REMARK	QTY.	KIT
537 02 21-01	537022101	SAW BLADE GUARD		1	
503 93 42-02	503934202	COMBINATION GUARD		1	
503 79 88-01	503798801	BLADE		1	
502 27 22-01	502272201	SAW BLADE GUARD		1	
537 00 55-01	537005501	ADAPTER		1	
537 04 75-01	537047501	CLAMP		1	
725 23 68-71	725236871	SCREW EHHM		2	
503 21 75-16	503217516	SCREW IHSCFT		1	
503 97 71-01	503977101	TRIMMER GUARD ASSY		1	
503 21 07-16	503210716	SCREW IHSCFT		1	
530 05 22-86	530052286	LINE		1	
537 02 61-01	537026101	TRIMMER GUARD		1	

J

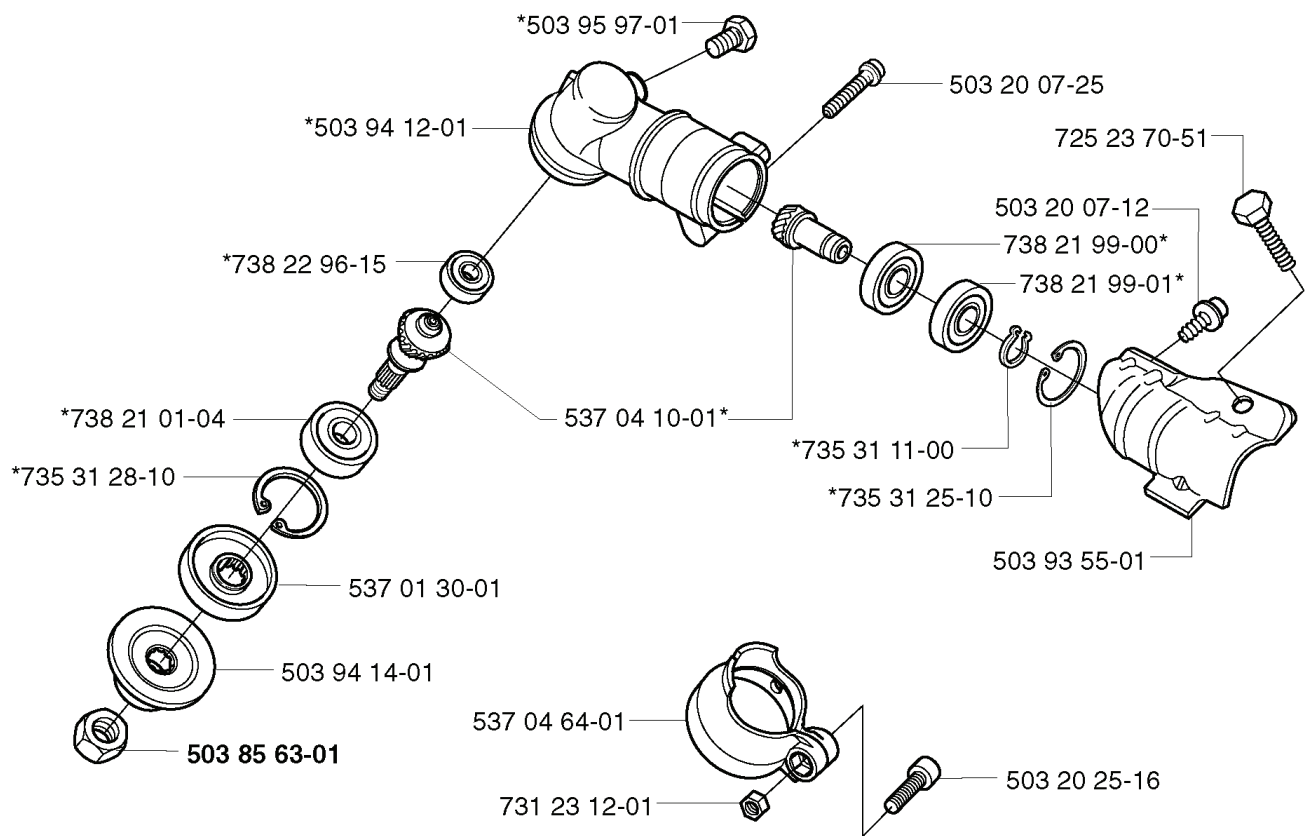
****compl 503 87 33-02**

***compl 503 85 28-01**



REF.	PART NO.	DESCRIPTION	REMARK	QTY.	KIT
503 87 33-02	503873302	BRIDGE		1	
735 31 08-20	735310820	E-CLIP		1	
731 71 16-51	731711651	HEXAGON NUT FLANGE		1	
503 21 77-16	503217716	SCREW IH SCT		1	
503 87 36-01	503873601	SPRING		1	
503 87 35-02	503873502	STARTER PAWL		1	
503 96 49-01	503964901	STARTER PULLEY		1	
537 03 41-01	537034101	PROTECTIVE PLATE		1	
503 21 66-20	503216620	SCREW IH SCT		1	
503 21 68-20	503216820	SCREW IH SCFT		1	
537 17 22-05	537172205	LABEL	326L	1	
537 17 22-04	537172204	LABEL	326C	1	
537 17 22-03	537172203	LABEL	326RX	1	
537 17 22-02	537172202	LABEL	326LX	1	
503 85 87-01	503858701	STARTER HOUSING		1	
537 00 84-01	537008401	STARTER HANDLE		1	
503 85 89-01	503858901	STARTER ROPE		1	
503 85 28-01	503852801	STARTER ASSY		1	

F *compl 503 94 11-01



REF.	PART NO.	DESCRIPTION	REMARK	QTY.	KIT
5039411-01	503941101	GEAR ASSY		1	
7382101-04	738210104	BALL BEARING		1	
7353128-10	735312810	CIRCLIP		1	
5038563-01	503856301	NUT		1	
5039414-01	503941401	SUPPORT FLANGE		1	
5370130-01	537013001	DRIVER		1	
7382296-15	738229615	BALL BEARING		1	
5039412-01	503941201	GEAR HOUSING		1	
5039597-01	503959701	SCREW		1	
5370410-01	537041001	GEAR WHEEL KIT		1	
5370464-01	537046401	COVER		1	
7312312-01	731231201	HEXAGON NUT		1	
5032025-16	503202516	SCREW IHSCM		1	
5039355-01	503935501	CLAMP GUARD		1	
7353125-10	735312510	CIRCLIP		1	
7353111-00	735311100	CIRCLIP		1	
7382199-01	738219901	BALL BEARING		1	
7382199-00	738219900	BALL BEARING		1	
5032007-12	503200712	SCREW IHSCFM		1	
7252370-51	725237051	SCREW		1	
5032007-25	503200725	SCREW IHSCFM		1	